

WABROTECH



MODEL WT202

EN	DIAMOND DRILLING USER MANUAL
PL	INSTRUKCJA OBSŁUGI WIERTNICY
DE	BEDIENUNGSANLEITUNG FÜR DIAMANTBOHRGERÄT
FR	MANUEL D'UTILISATION DE L'APPAREIL DE FORAGE AU DIAMANT
CZ	NÁVOD K OBSLUZE DIAMANTOVÉ VRTAČKY
SK	NÁVOD NA OBSLUHU DIAMANTOVEJ VŔTAČKY



EN Please read and keep this manual. Read carefully before assembling, installing, operating or maintaining the product. Protect yourself and others by following all safety information. Failure to follow the instructions may result in personal injury and/or property damage! Keep these instructions for future reference.

PL Proszę przeczytać i zachować tę instrukcję. Przeczytaj uważnie przed przystąpieniem do montażu, instalacji, obsługi lub konserwacji produktu. Chroń siebie i innych, przestrzegając wszystkich informacji dotyczących bezpieczeństwa. Nieprzestrzeganie instrukcji może spowodować obrażenia ciała i/lub zniszczenie mienia! Zachowaj instrukcję do wykorzystania w przyszłości.

DE Bitte lesen Sie dieses Handbuch und bewahren Sie es auf. Lesen Sie die Anleitung sorgfältig durch, bevor Sie das Produkt zusammenbauen, installieren, bedienen oder warten. Schützen Sie sich und andere, indem Sie alle Sicherheitshinweise befolgen. Die Nichtbeachtung der Anweisungen kann zu Personen- und/oder Sachschäden führen! Bewahren Sie diese Anleitung zum späteren Nachschlagen auf.

FR Veuillez lire et conserver ce manuel. Lisez attentivement avant d'assembler, d'installer, d'utiliser ou d'entretenir le produit. Protégez-vous et protégez les autres en suivant toutes les informations de sécurité. Le non-respect des instructions peut entraîner des blessures corporelles et/ou des dommages matériels ! Conservez ces instructions pour référence future.

CZ Přečtěte si prosím tento návod a uschovejte jej. Před montáží, instalací, provozem nebo údržbou produktu si pozorně přečtěte. Chraňte sebe i ostatní dodržováním všech bezpečnostních informací. Nedodržení pokynů může vést ke zranění osob a/nebo škodě na majetku! Uschovejte si tyto pokyny pro budoucí použití.

SK Prečítajte si a uschovajte tento návod. Pred montážou, inštaláciou, prevádzkou alebo údržbou produktu si pozorne prečítajte. Chráňte seba a ostatných dodržiavaním všetkých bezpečnostných informácií. Nedodržanie pokynov môže viesť k zraneniu osôb a/alebo poškodeniu majetku! Uschovajte si tieto pokyny pre budúce použitie.

WT 112

EN

DEFINITIONS OF PICTOGRAMS USED IN THE INSTRUCTIONS:.....	5
1. SAFETY TIPS	5
2. WT202 CONSTRUCTION	10
3. SPECIFICATIONS.....	11
4. PURPOSE OF CONCRETE DRILLING RIG.....	11
5. DIAMOND CORE DRILLING	11
6. SHARPENING A DULL DRILL BIT	12
7. VIBRATION TROUBLESHOOTING	12
8. TURNING ON THE MACHINE.....	12
9. CONTROL ACTIVITIES.....	13
10. CARBON BRUSHES.....	13
11. USAGE.....	13
12. Compatibility	14

PL

DEFINICJE UŻYTYCH W INSTRUKCJACH PIKTOGRAMÓW:	16
1. WSKAZÓWKI BEZPIECZEŃSTWA	16
ZAGROŻENIE POŻAREM I WYBUCEM	19
2. BUDOWA WT202.....	22
3. DANE TECHNICZNE	23
4. PRZEZNACZENIE WIERTNICY DO BETONU	23
5. WIERCENIE KORONOWE WIERTŁEM DIAMENTOWYM	23
6. OSTRZENIE STĘPIONEGO WIERTŁA.....	24
7. ROZWIĄZYWANIE PROBLEMÓW ZWIĄZANYCH Z WIBRACJĄ	24
8. WŁĄCZANIE MASZYN.....	24
9. CZYNNOŚCI KONTROLNE	25
10. SZCZOTKI WĘGLOWE.....	25
11. UŻYTKOWANIE	25
12. Kompatybilność.....	26
13. ROZWIĄZYWANIE PROBLEMÓW	27

DE

DEFINITIONEN DER IN DER ANLEITUNG VERWENDETEN PIKTOGRAMME:	28
1. SICHERHEITSTIPPS	28
2. WT202 KONSTRUKTION	34
3. SPEZIFIKATIONEN	35
4. ZWECK DES BETONBOHRGERÄTS	35
5. DIAMANT-KERNBOHREN	35
6. SCHÄRFEN EINES STUMPfen BOHRERS	36
7. FEHLERBEHEBUNG BEI VIBRATIONEN	36
8. EINSCHALTEN DER MASCHINE.....	36

9. KONTROLLTÄTIGKEITEN	37
10. KOHLEBÜRSTEN	37
11. VERWENDUNG	37
12. Kompatibilität	38
13. FEHLERBEHEBUNG	39
FR	
DÉFINITIONS DES PICTOGRAMMES UTILISÉS DANS LA NOTICE	40
1. CONSEILS DE SÉCURITÉ.....	40
2. CONSTRUCTION WT202	46
3. CARACTÉRISTIQUES	47
4. OBJECTIF DE LA FOREUSE À BÉTON	47
5. CAROTTAGE AU DIAMANT	47
6. AFFÛTAGE D'UN FORET ÉMOUSSÉ	48
7. DÉPANNAGE DES VIBRATIONS	48
8. MISE EN MARCHÉ DE LA MACHINE	48
9. ACTIVITÉS DE CONTRÔLE.....	48
10. BALAIS DE CHARBON	49
11. UTILISATION	49
12. Compatibilité	50
13. DÉPANNAGE	51
CZ	
DEFINICE PIKTOGRAMŮ POUŽITÝCH V NÁVODU:	52
1. BEZPEČNOSTNÍ TIPY	52
2. KONSTRUKCE WT202.....	57
3. SPECIFIKACE.....	58
4. ÚČEL VRTNÉ SOUPRAVY NA BETON	58
5. DIAMANTOVÉ JÁDROVÉ VRTÁNÍ	58
6. OSTŘENÍ TUPÉHO VRTÁKU	59
7. ODSTRAŇOVÁNÍ PROBLÉMŮ S VIBRACEMI	59
8. ZAPNUTÍ STROJE.....	59
9. KONTROLNÍ ČINNOSTI	59
10. UHLÍKOVÉ KARTÁČE	60
11. POUŽITÍ.....	60
12. Kompatibilita	61
13. ŘEŠENÍ PROBLÉMŮ.....	62
SK	
DEFINÍCIE PIKTOGRAMOV POUŽITÝCH V NÁVODE NA POUŽITIE:	63
1. BEZPEČNOSTNÉ TIPY	63
2. KONŠTRUKCIA WT202	68
3. ŠPECIFIKÁCIE.....	69
4. ÚČEL SÚPRAVY NA VRÁTANIE BETÓNU	69
5. VRÁTANIE DIAMANTOVÝM JADROM.....	69

6. OSTRENIE VRTÁKA NA ZADOK	70
7. RIEŠENIE PROBLÉMOV S VIBRÁCIAMI.....	70
8. ZAPNUTIE STROJA.....	70
9. KONTROLNÉ ČINNOSTI	71
10. UHLÍKOVÉ KEFY	71
11. POUŽITIE.....	71
12. Zlučiteľnosť.....	72
13. RIEŠENIE PROBLÉMOV.....	73
Diagram and CE Declaration.....	74

DEFINITIONS OF PICTOGRAMS USED IN THE INSTRUCTIONS:



READ THE MANUAL



USE DUST MASKS



USE EYE PROTECTION



WEAR PROTECTIVE GLOVES



REMARK! USE GROUNDING



Electric Shock Warning



Moving Parts Warning



Store separately and dispose of according to environmental standards



Explosion Hazard Warning



Please observe the directions marked with this symbol in the text!

1. SAFETY TIPS



General safety instructions for power tools

You should read all the tips and recipes. Failure to follow the guidelines below may result in electric shock, fire, and/or serious personal injury. Keep all recipes and safety instructions carefully for further use. The term "power tool" used in the following text refers to mains-operated power tools (with power cord) and battery-operated power tools (without power cord).

1. Workplace safety

- A. Keep your workstation clean and well-lit. A tidy workplace or an unlit workspace can cause accidents.
- B. Do not operate this power tool in potentially explosive environments, such as those containing flammable liquids, gases or dust. When operating the power tool, sparks are generated that can cause ignition.
- C. When using the appliance, make sure that children and other bystanders are kept at a safe distance. Distraction can cause you to lose control of the tool.

2. Electrical safety

- A. The plug of the power tool must match the socket. Do not alter the plug in any way. Adapter plugs must not be used for power tools with protective earthing. Unaltered plugs and matching sockets reduce the risk of electric shock.
 - B. Contact with grounded surfaces such as pipes, radiators, stoves and refrigerators should be avoided. The risk of electric shock is greater when the user's body is grounded.
-

- C. The device should be protected from rain and moisture. Water entering the power tool increases the risk of electric shock.
- D. Never use the cord for other activities. Never carry the power tool by the cord or use the cord to hang the appliance; It is also forbidden to pull the plug out of the socket by pulling the cord. The cord should be protected from high temperatures, keep it away from oil, sharp edges, or moving parts of the device. Damaged or tangled wires increase the risk of electric shock.
- E. When operating the power tool outdoors, use an extension cord that is also suitable for outdoor use. Use of a proper extension cord (suitable for outdoor use) reduces the risk of electric shock.
- F. If the power tool cannot be avoided in a humid environment, use a residual current circuit breaker. The use of a residual current circuit breaker reduces the risk of electric shock.

3. Personal safety

- A. When working with a power tool, use caution and perform each operation carefully and with caution. Do not use the power tool when you are tired or under the influence of drugs, alcohol, or medication. A moment of inattention with a power tool can cause serious injury.
- B. Personal protective equipment and safety goggles must be worn at all times. Wearing personal protective equipment – dust mask, footwear with anti-skid soles, hard hat or hearing protection (depending on the type and use of the power tool) – reduces the risk of injury.
- C. Unintentional starting of the tool should be avoided. Before inserting the plug into the socket and/or connecting to the battery, and before lifting or carrying the power tool, make sure that the power tool is switched off. Keeping your finger on the switch when moving the power tool or plugging the tool on can cause an accident.
- D. Before operating the power tool, remove the adjusting tools or wrenches. A tool or wrench in moving parts of the appliance could result in injury.
- E. Unnatural working positions should be avoided. It is important to maintain a stable working position and balance. This will allow you to better control the power tool in unforeseen situations.
- F. Appropriate clothing must be worn. Loose clothing or jewelry should not be worn. Keep hair, clothing, and gloves away from moving parts. Loose clothing, jewelry, or long hair can be caught in moving parts.
- G. If it is possible to install dust extraction and collection devices, make sure that they are connected and will be used correctly. The use of a dust extraction device can reduce the dust hazard.

4. Correct operation and operation of power tools

- A. Do not overload the device. Use power tools that are designed for this purpose. With the right power tool, you can work better and safer in a given performance range.
- B. Do not use a power tool whose on/off switch is damaged. A power tool that cannot be switched on or off is dangerous and must be repaired.
- C. Before adjusting the tool, changing accessories, or after stopping the tool, unplug and/or remove the battery pack. This precaution prevents the power tool from being switched on unintentionally.
- D. When not in use, keep power tools out of the reach of children. Do not share the tool with anyone who is not familiar with it or who has not read these rules. Power tools used by inexperienced people are dangerous.

- E. Proper maintenance of the power tool is necessary. Check that the moving parts of the appliance are working flawlessly and are not blocked, that the parts are not cracked or damaged in a way that would affect the proper operation of the power tool. Damaged parts must be repaired before the appliance can be used. Many accidents are caused by improper maintenance of power tools.
- F. Power tools, accessories, auxiliary tools, etc. must be used in accordance with these recommendations. The conditions and type of work performed should be taken into account. Improper use of the power tool can lead to dangerous situations.

5. Service

- A. Have the power tool repaired only by a qualified professional and using original spare parts. This ensures that the security of the device is maintained.



Occupational safety tips for electric handheld drilling rigs

- The machine is equipped with spirit levels to help set the tool. Use a spirit level to position the machine horizontally.
- This machine is designed for diamond drilling in concrete, masonry, stone and similar materials.
- The device can be mounted on a WT45S tripod using a 62mm clamp.
- All other misuses are prohibited.
- The device is equipped with a two-speed gearbox.
- All models are equipped with a mechanical safety clutch.
- All models have electronics for soft starting, overload protection and thermal protection.
- The voltage must be in accordance with the voltage indicated on the rating plate of the tool. Under no circumstances should the tool be used when the power cable is damaged. A damaged cable must be replaced immediately by a service center. Do not attempt to repair a damaged cable yourself. The use of damaged power cables can lead to electric shock
- Do not work with a blunt or damaged drill bit.
- It is forbidden to use diamond bits that do not correspond to the technical parameters specified in the user manual.
- Do not operate the machine near containers with flammable liquids or gases.
- We recommend that when drilling by hand, you use a drill bit with a maximum diameter of 80mm.

FIRE AND EXPLOSION HAZARD



Flammable vapours from solvents and paints in the work area can ignite or explode. To prevent a fire or explosion from occurring:



1. Avoid working in the vicinity of flammable and combustible materials near open flames or ignition sources, e.g. cigarettes, external motors and other electrical equipment.
2. Static electricity poses a risk of fire or explosion in the presence of paint or solvent vapors.
3. Check that all containers and collection systems are grounded to prevent static discharge. Do not use the pail linings if they do not have antistatic or conductive properties.
4. Maintain an adequate flow of fresh air in this space.

5. Do not smoke in the work area.
6. Do not use light switches, motors, or similar products that generate sparks in the operating area.
7. Keep the area clean. There must be no flammable materials in it.
8. Familiarize yourself with all Material Safety Data Sheets (MSDS) and stickers on containers.
9. There should be functional firefighting equipment on site.
10. The device generates sparks. If a flammable liquid is used in or near the appliance, keep the appliance at least 6 m away from explosive vapours.



ELECTRICAL SAFETY



1. The plugs of power tools must match the outlets. It is forbidden to modify the plugin in any way. Do not connect any adapters to grounded power tools. The use of unmodified plugs and fitted sockets reduces the likelihood of electric shock.
2. Grounded tools must be connected to a properly installed and grounded outlet in accordance with all codes and ordinances. It is forbidden to remove the grounding plug or modify the plug in any way. Do not use any plug adapters. If in doubt as to whether an outlet is properly grounded, consult a qualified electrician. If power tools start to malfunction or break down, the earth provides a low-resistance way to dissipate electricity from the user.
3. Avoid body contact with grounded surfaces such as pipes, radiators, refrigerators. When the user's body is grounded, the likelihood of electric shock increases.
4. Do not expose power tools to rain or moisture. Water entering the power tool increases the risk of electric shock.
5. Use cables as intended. Never use the wiring to carry, drag, or to disconnect the power tool from the outlet. Keep the cable away from heat, oil, sharp edges and moving parts. Replace damaged cables immediately. Damaged or tangled cables increase the risk of electric shock.
6. When using the power tool outdoors, use extension cords suitable for outdoor use. The use of cables suitable for outdoor use reduces the likelihood of electric shock



HAZARD OF MOVING PARTS



Moving parts can pinch, cut, or cut fingers and other parts of the body.

1. Stay away from moving parts.
2. Do not operate the equipment without guards and protective covers in place.
3. Live equipment may start without warning. Before inspecting, moving, or servicing the equipment, disconnect all power sources.

HAZARD ASSOCIATED WITH IMPROPER USE OF THE DEVICE



Improper use of equipment can lead to death or disability.

1. Always use suitable gloves, eye shield, and a respirator or mask when working.
2. Do not operate the appliance or work near children. Keep children away from the appliance.
3. Do not exceed the normal range or place the device on unstable ground. Good posture and balance must be maintained.
4. You should maintain concentration and focus on the activity at hand.
5. Do not leave the appliance unattended while it is plugged in. When the device is not in use, turn it off and perform the decompression procedure.
6. Do not operate the equipment when tired or under the influence of intoxicating substances or alcohol.
7. Do not bend or excessively bend the hose.
8. Do not expose the cord to temperatures or voltages in excess of the values recommended by WABROTECH
9. Do not use the cord to move or lift equipment.

PERSONAL PROTECTIVE EQUIPMENT (PPE)



Wear appropriate protective equipment when in the work area to help prevent serious injuries, including eye injuries, hearing loss, toxic fumes and burns.



These measures include, but are not limited to: safety goggles, breathing apparatus, protective clothing and gloves in accordance with the manufacturer's recommendations and solvent.



When operating power tools, you should be vigilant, careful about what you are doing and use common sense. Do not use power tools when tired or under the influence of drugs, alcohol or medication. A moment of distraction while using power tools can result in serious injury.

1. Use safety equipment. Always wear safety goggles. Safety measures such as a dust mask, non-slip shoes, helmet or ear protectors, if used correctly, will reduce personal injury.
2. Avoid accidental switching. Make sure the switch is in the OFF position before plugging in the appliance. Placing your finger on the switch when moving it or plugging in appliances with the switch in the ON position increases the risk of accidents.
3. Remove the adjustment key before turning on the device. A wrench attached to a rotating part of the tool can cause personal injury.
4. Do not overexert yourself. Assume a stable position during operation. This ensures better control of the power tool in the event of unexpected situations.
5. Wear appropriate attire. Do not wear loose items of clothing or jewelry. Keep hair, clothes, and gloves away from moving parts. Loose clothes, jewelry or long hair can get caught and get stuck in moving parts.
6. If dust extraction and collection equipment has been supplied, make sure they are connected and used correctly. The use of these devices can reduce the risks associated with dust.

CONNECTION TO THE ELECTRICAL SUPPLY



The mains voltage must correspond to the voltage indicated on the rating plate of the appliance. Under no circumstances must the tool be used if the power cable is damaged. A damaged cord must be replaced immediately by an authorized Customer Care Center. Do not attempt to repair the damaged cord yourself. The use of damaged power cables can lead to electric shock.

IMPORTANT: use only a three-wire extension cord that has a grounding plug with two pins and a hole and a socket into which the plug of the appliance can be inserted, with two holes and a pin. Make sure that the extension cord is in good condition. When using an extension cord, make sure that it is sufficiently powerful to carry the current that the device can draw. A cable with too weak parameters will cause a drop in mains voltage, which will cause power losses and overheating. It is recommended to use a 3 × 1.5 mm cable. If the extension cable is to be used outdoors, it must be marked W-A after specifying the cable type. For example, the SJTW-A designation would indicate that the cable is suitable for outdoor use.

2. WT202 CONSTRUCTION

WT202



1	Spindle	It has an internal thread of 1/2" and an external thread of 1.1/4"
2	Rating plate	Information about the machine's parameters.
3	Rating plate	A plastic handle that helps stabilize the machine.
4	Pistol grip	Supporting the arm on the grip assists in operating the machine.
5	Motor/brush protection	Motor power 1500W/Brushes are located behind the flap.
6	ON/OFF switch lock	By pressing the lock, we lock the ON/OFF switch and lock the speed at maximum value.

7	Trigger switch handle	A plastic handle that helps stabilize the machine.
8	Water connection	A plastic hose terminated with a connector.
9	ON/OFF switch	Machine's electrical switch.
10	Power cord with plug	EU power plug.

3. SPECIFICATIONS

Engine model / power	WT202/2300 W
Voltage/Frequency/Fuse	230V/50Hz/20C (Check the nameplate of the machine)
Drilling diameter range	22mm - 168mm (hard stone, reinforced concrete) / 22mm-202mm
Maximum Rotational Speed	1400 rpm
Attaching the drill bit	Male Thread: 1 ¹ / ₄ " - Female Thread: 1 ¹ / ₂ "
PRCD	YES
Clutch	Mechanical
Speed control	No
Net/Gross Weight	6,5/8 kg

4. PURPOSE OF CONCRETE DRILLING RIG

Manual drilling rigs are part of the mandatory equipment for professionals involved in construction, renovation, construction or installation activities. They are equally suitable for private use. Therefore, when creating our offer, we used the opinions of experienced specialists looking for proven and universal solutions for drilling in materials such as asphalt, reinforced concrete, brick, concrete or natural stone.

WABROTECH hand drilling rigs are characterized by maximum ergonomics of work, ensured by light weight and solid construction materials, combined with the highest drilling efficiency. The use of the best machine bearings and one hundred percent copper windings allows for comfortable, precise work in all conditions, saving drills as much as possible. The machine allows you to perform drilling operations with diamond core drills in the diameter range from 22 mm to 202 mm / for reinforced concrete and hard stone only up to 168 mm. The integrated connection to the water supply network enables the creation of wet and dry openings.

5. DIAMOND CORE DRILLING

1. Insert (screw) the diamond core drill bit onto the drill chuck (spindle) and tighten with open-end wrenches.

NOTE: Make sure the spindle and core drill threads match. Attempting to install mismatched components will damage the spindle and drill bit.

Make sure both the core drill bit and the spindle of the machine are clean. Any debris may cause excessive runout of the mounted core bit. Excessive runout can cause premature core drill failure and/or safety hazards.

2. Start drilling very carefully. If held by hand, start drilling at an angle of 30 degrees to the drilling surface. (A large piece of wood with a large "V" notch will help prevent the drill bit from slipping)

at the beginning of drilling.) After drilling about one-third of the arc, straighten the drill bit to the correct perpendicular angle, maintaining sufficient pressure on the drill bit to prevent slipping on the surface.

3. When you have finished drilling, apply constant pressure.
4. When breaking through to the other side, hold the machine firmly and reduce the pressure.

WARNING: Always keep your face away from the machine.

The impregnated die-die segments in the diamond core drill bit work on the principle of controlled erosion. The diamond binding matrix is constantly worn by abrasion with the workpiece, exposing the dull.

See below "SHARPENING A BLUNT DRILL BIT"

Never make sudden movements – otherwise the drill bit will be damaged. Conversely, do not drill too gently, as diamond segments need friction to constantly sharpen. Keep the drill bit running continuously.

When holding by hand, care must be taken to fit the drill bit into the hole. If the drill bit is crooked, it can jam easily.

Note: If the drill bit gets stuck, do not try to rock it by turning the machine off and on. This is dangerous and can cause damage to the engine. Instead, unplug the machine and use a wrench to loosen the mount.

Note: Drilling operations put a lot of stress on the motor and at the end of drilling, the temperature of the motor will be very high. Always run the motor without load for several minutes until the temperature returns to the normal range.

Turn the switch off and allow the drill bit to stop before replacing.

6. SHARPENING A DULL DRILL BIT

If the drill becomes blunt, the ideal way to sharpen it is to coat it with a suitable aluminum oxide or silicon carbide. Simply drill into the material to be sharpened for the time it takes to return the drill bit to a state that allows it to return to a state of drilling efficiency.

7. VIBRATION TROUBLESHOOTING

If a vibration occurs that is not caused by the embedded steel, stop drilling to find the cause and solution. **Caution:** Do not work during vibration as this can lead to a serious hazard. A diamond core drill is certainly subject to damage.

Machine vibration and vibration are usually caused by:

1. The drill bit is crooked, not centric
Solution: replace the drill bit.
2. The drill does not have all segments
Solution: Repair or replace the drill bit.

8. TURNING ON THE MACHINE

The device is equipped with a residual current device mounted on the power cord, at the plug. It has two buttons and a signal light. If the warning light is red, the device is ready for operation. After a power outage or short circuit in the system, the fuse will trip, cutting off the voltage supply - the indicator light will stop illuminating. To get the machine ready again, press the "RESET" button. If the warning light still does not come on, there is no power supply in the mains or there is a short circuit in the system. The "TEST" button is used to disconnect the voltage.

9. CONTROL ACTIVITIES

Note: Perform the inspection operation with the plug removed from the socket.

Before starting the drilling rig, check the condition of the work tool. **Any loss, crack or chipping of a diamond core drill segment disqualifies the tool.** In such a case, new defect-free ones should be installed.

The device should be carefully cared for. Check that the moving parts of the machine are working properly and are not blocked, or that the parts are not cracked or damaged, which could affect the proper functioning of the machine. Damaged parts must be repaired before the appliance can be used. Many accidents are caused by improper maintenance of power tools.

Please note that the cutting residues of ceramic materials are corrosive. Do not leave the machine uncleaned when the operation is finished. This can lead to corrosion of individual components of the drilling rig.

Every 50 hours of operation, blow compressed air through the motor during no-load operation to remove accumulated dust.

Always check the power cable for damage, check for loose fasteners, and always be alert for unusual noises and vibrations during operation.

10. CARBON BRUSHES

Carbon brushes are a normal wear part and must be replaced when they reach the wear limit. The machine is equipped with carbon brushes. If the machine stops unexpectedly, check the brushes.

Note: Always replace brushes in pairs

To replace the brushes:

- Simply remove the brush caps and remove the old brushes.
- When replacing brushes with new ones (always replace them in pairs), make sure they are seated correctly.

WARNING: All repairs must be referred to an authorized service center. Improperly performed repairs can lead to injury or death.

11. USAGE

DRY DRILLING

Dry drilling is different from wet drilling. When dry drilling, do not push too the drilling rig. You should let the tool work at its own pace. Dry drilling is usually done in softer materials. The machine can also dry drill in reinforced concrete, using special diamond drills.

DRY DRILLING IN REINFORCED CONCRETE

This requires the use of special diamond drill bits designed for this purpose. Effective dust collection is essential in this process. Use the micro impact function. Always use a drill stand for diameters over 80 mm.

1. For dry drilling, simply unplug the water connection and turn off the water valve. Screw the dust extractor adapter onto the spindle with the help of a suitable wrench.



2. In the photo we can see the dust extraction adapters, mounted on the spindle.



3. Disconnect the water connection from the source and turn off the water valve.
4. Plug in the vacuum cleaner and get started.

SWITCH

The machine has a trigger switch. To start operation, press the trigger to start the engine. To lock the switch, push the lock button, which will lock the switch in the "ON" position.

To release the trigger lock, depress it gently and release the trigger lock. The switch will return to the "OFF" position.

WARNING: Never lock the trigger switch while drilling by hand. Lock the switch after mounting the drill rig on the tripod.

SAFETY CLUTCH

The machine is equipped with a mechanical clutch that protects the machine from spindle overload. After repeatedly forcing the clutch to slip, it will wear out and start to slip at lower and lower torque levels. In this case, we recommend that you have your machine serviced.

12. Compatibility

The drilling rig is compatible with the WT45S tripod and the WABROTECH 11L hydronet. To mount the drilling rig on a stand, use a 62mm clamp



Check the condition of the drill bit or spindle.

Problem	Cause	Solution
Drilling rig not working	The power cable is poorly connected or damaged	Push the plug deeper into the socket
		Check the power cable
	There is no mains voltage at the socket	Check the voltage at the outlet or if the fuse has tripped
	Worn motor brushes	Replace the brushes with new ones
	Faulty switch	Replace the switch with a new one
	Defective residual current device PRCD	Replace the residual current switch
	Vibration	Check the condition of the drill or spindle.

DEFINICJE UŻYTYCH W INSTRUKCJACH PIKTOGRAMÓW:



PRZECZYTAJ INSTRUKCJĘ



STOSUJ MASKI
PRZECIWPYŁOWE



UŻYWAJ ŚRODKÓW OCHRONY
OCZU



STOSUJ RĘKAWICE OCHRONNE



UWAGA!
STOSUJ UZIEMIENIE



Ostrzeżenie przed porażeniem
prądem elektrycznym



Ostrzeżenie związane z ruchomymi
elementami



Składować oddzielnie i utylizować
wg wskazań zgodnych z normami
ochrony środowiska



Ostrzeżenie o zagrożeniu
wybuchem



Należy przestrzegać wskazówek
oznaczonych w tekście tym
symbolem!

1. WSKAZÓWKI BEZPIECZEŃSTWA



Ogólne wskazówki bezpieczeństwa dla elektronarzędzi

Należy przeczytać wszystkie wskazówki i przepisy. Błędy w przestrzeganiu poniższych wskazówek mogą spowodować porażenie prądem, pożar i/lub ciężkie obrażenia ciała. Należy starannie przechowywać wszystkie przepisy i wskazówki bezpieczeństwa dla dalszego zastosowania. Użyte w poniższym tekście pojęcie „elektonarzędzie“ odnosi się do elektronarzędzi zasilanych energią elektryczną z sieci (z przewodem zasilającym) i do elektronarzędzi zasilanych akumulatorami (bez przewodu zasilającego).

1. Bezpieczeństwo miejsca pracy

- Stanowisko pracy należy utrzymywać w czystości i dobrze oświetlone. Nieporządek w miejscu pracy lub nieoświetlona przestrzeń robocza mogą być przyczyną wypadków.
- Nie należy pracować tym elektronarzędziem w otoczeniu zagrożonym wybuchem, w którym znajdują się np. łatwopalne ciecze, gazy lub pyły. Podczas pracy elektronarzędziem wytwarzają się iskry, które mogą spowodować zapłon.
- Podczas użytkowania urządzenia należy zwrócić uwagę na to, aby dzieci i inne osoby ostronne znajdowały się w bezpiecznej odległości. Odwrócenie uwagi może spowodować uratę kontroli nad narzędziem.

2. Bezpieczeństwo elektryczne

- Wtyczka elektronarzędzia musi pasować do gniazda. Nie wolno zmieniać wtyczki w jakikolwiek sposób. Nie wolno używać wtyków adapterowych w przypadku

elektronarzędzi z uziemieniem ochronnym. Niezmienione wtyczki i pasujące gniazda zmniejszają ryzyko porażenia prądem.

- B. Należy unikać kontaktu z uziemionymi powierzchniami, jak rury, grzejniki, piece i lodówki. Ryzyko porażenia prądem jest większe, gdy ciało użytkownika jest uziemione.
- C. Urządzenie należy zabezpieczyć przed deszczem i wilgocią. Przedostanie się wody do elektronarzędzia podwyższa ryzyko porażenia prądem.
- D. Nigdy nie należy używać przewodu do innych czynności. Nigdy nie należy nosić elektronarzędzia, trzymając je za przewód, ani używać przewodu do zawieszenia urządzenia; nie wolno też wyciągać wtyczki z gniazdka, pociągając za przewód. Przewód należy chronić przed wysokimi temperaturami, należy go trzymać z dala od oleju, ostrych krawędzi lub ruchomych części urządzenia. Uszkodzone lub splątane przewody zwiększają ryzyko porażenia prądem.
- E. W przypadku pracy elektronarzędziem pod gołym niebem, należy używać przewodu przedłużającego, dostosowanego również do zastosowań zewnętrznych. Użycie właściwego przedłużacza (dostosowanego do pracy na zewnątrz) zmniejsza ryzyko porażenia prądem.
- F. Jeżeli nie da się uniknąć zastosowania elektronarzędzia w wilgotnym otoczeniu, należy użyć wyłącznika ochronnego różnicowo-prądowego. Zastosowanie wyłącznika ochronnego różnicowo-prądowego zmniejsza ryzyko porażenia prądem.

3. Bezpieczeństwo osób

- A. Podczas pracy z elektronarzędziem należy zachować ostrożność, każdą czynność wykonywać uważnie i z rozważeniem. Nie należy używać elektronarzędzia, gdy jest się zmęczonym lub będąc pod wpływem narkotyków, alkoholu lub leków. Moment nieuwagi przy użyciu elektronarzędzia może stać się przyczyną poważnych urazów ciała.
- B. Należy nosić osobiste wyposażenie ochronne i zawsze okulary ochronne. Noszenie osobistego wyposażenia ochronnego – maski przeciwpyłowej, obuwia z podeszwami przeciwpoślizgowymi, kasku ochronnego lub środków ochrony słuchu (w zależności od rodzaju i zastosowania elektronarzędzia) – zmniejsza ryzyko obrażeń ciała.
- C. Należy unikać niezamierzonego uruchomienia narzędzia. Przed włożeniem wtyczki do gniazdka i/lub podłączeniem do akumulatora, a także przed podniesieniem lub przeniesieniem elektronarzędzia, należy upewnić się, że elektronarzędzie jest wyłączone. Trzymanie palca na wyłączniku podczas przenoszenia elektronarzędzia lub podłączenie do prądu włączonego narzędzia, może stać się przyczyną wypadku.
- D. Przed włączeniem elektronarzędzia, należy usunąć narzędzia nastawcze lub klucze. Narzędzie lub klucz znajdujący się w ruchomych częściach urządzenia mogą doprowadzić do obrażeń ciała.
- E. Należy unikać nienaturalnych pozycji przy pracy. Należy dbać o stabilną pozycję przy pracy i zachowanie równowagi. W ten sposób możliwa będzie lepsza kontrola elektronarzędzia w nieprzewidzianych sytuacjach.
- F. Należy nosić odpowiednie ubranie. Nie należy nosić luźnego ubrania ani biżuterii. Włosy, ubranie i rękawice należy trzymać z daleka od ruchomych części. Luźne ubranie, biżuteria lub długie włosy mogą zostać wciągnięte przez ruchome części.
- G. Jeżeli istnieje możliwość zamontowania urządzeń odsysających i wychwytyjących pył, należy upewnić się, że są one podłączone i będą prawidłowo użyte. Użycie urządzenia odsysającego pył może zmniejszyć zagrożenie pyłami.

4. Prawidłowa obsługa i eksploatacja elektronarzędzi

- A. Nie należy przeciążać urządzenia. Do pracy należy używać elektronarzędzi, które są do tego przewidziane. Odpowiednio dobranym elektronarzędziem pracuje się w danym zakresie wydajności lepiej i bezpieczniej.

- B. Nie należy używać elektronarzędzia, którego włącznik/wyłącznik jest uszkodzony. Elektronarzędzie, którego nie można włączyć lub wyłączyć, jest niebezpieczne i musi zostać naprawione.
- C. Przed regulacją urządzenia, wymianą osprzętu lub po zaprzestaniu pracy narzędziem, należy wyciągnąć wtyczkę z gniazda i/lub usunąć akumulator. Ten środek ostrożności zapobiega niezamierzonemu włączeniu elektronarzędzia.
- D. Nieużywane elektronarzędzia należy przechowywać w miejscu niedostępnym dla dzieci. Nie należy udostępniać narzędzia osobom, które go nie znają lub nie przeczytały niniejszych przepisów. Używane przez niedoświadczonych osoby elektronarzędzia są niebezpieczne.
- E. Konieczna jest należyta konserwacja elektronarzędzia. Należy kontrolować, czy ruchome części urządzenia działają bez zarzutu i nie są zablokowane, czy części nie są pęknięte lub uszkodzone w sposób, który miałby wpływ na prawidłowe działanie elektronarzędzia. Uszkodzone części należy przed użyciem urządzenia oddać do naprawy. Wiele wypadków spowodowanych jest przez niewłaściwą konserwację elektronarzędzi.
- F. Elektronarzędzia, osprzęt, narzędzia pomocnicze itd. należy używać zgodnie z niniejszymi zaleceniami. Uwzględnić należy przy tym warunki i rodzaj wykonywanej pracy. Niezgodne z przeznaczeniem użycie elektronarzędzia może doprowadzić do niebezpiecznych sytuacji.

5. Serwis

- A. Naprawę elektronarzędzia należy zlecić jedynie wykwalifikowanemu fachowcowi i przy użyciu oryginalnych części zamiennych. To gwarantuje, że bezpieczeństwo urządzenia zostanie zachowane.



Wskazówki dotyczące bezpieczeństwa pracy dla elektrycznych wiertnic ręcznych

- Maszyna jest wyposażona w poziomice pomagające w ustawieniu narzędzia. Użyj poziomicy do ustawienia maszyny w poziomie.
- Maszyna ta jest przeznaczona do wiercenia diamentowego w betonie, murze, kamieniu i podobnych materiałach.
- Urządzenie można zamontować na statywie WT45S przy zastosowaniu obejmy 62mm.
- Wszystkie inne zastosowania niezgodne z przeznaczeniem są zabronione.
- Urządzenie jest wyposażone w dwubiegową przekładnię.
- Wszystkie modele są wyposażone w mechaniczne sprzęgło bezpieczeństwa.
- Wszystkie modele posiadają elektronikę zapewniającą łagodny rozruch, ochronę przed przeciążeniem i ochronę termiczną.
- Napięcie musi być zgodne z napięciem podanym na tabliczce znamionowej narzędzia. Pod żadnym pozorem nie wolno używać narzędzia, gdy kabel zasilający jest uszkodzony. Uszkodzony kabel musi zostać niezwłocznie wymieniony przez punkt serwisowy. Nie próbuj samodzielnie naprawiać uszkodzonego kabla. Użycie uszkodzonych kabli zasilających może prowadzić do porażenia prądem.
- Nie należy pracować stępionym lub uszkodzonym wiertłem.
- Zabronione jest używanie koronek diamentowych, które nie odpowiadają parametrom technicznym podanym w instrukcji obsługi.
- Nie użytkować maszyny w pobliżu pojemników z łatwopalnymi cieczami lub gazami.
- Zalecamy, aby wierząc ręcznie, używać wiertła maksymalnie o średnicy 80mm.

ZAGROŻENIE POŻAREM I WYBUCHEM



Znajdujące się w obszarze roboczym łatwopalne opary pochodzące z rozpuszczalników oraz farb mogą ulec zapłonowi lub eksplodować. Aby zapobiec wybuchowi pożaru lub eksplozji należy:



1. Unikać pracy w otoczeniu materiałów łatwopalnych i palnych w pobliżu otwartych płomieni albo źródeł zapłonu, np. papierosów, silników zewnętrznych i innych urządzeń elektrycznych.
2. Elektryczność statyczna stwarza ryzyko pożaru lub wybuchu w obecności oparów farby lub rozpuszczalnika.
3. Sprawdzić, czy wszystkie pojemniki i systemy zbiorcze są uziemione, aby zapobiec rozładowywaniu ładunków elektrostatycznych. Nie stosować okładzin kubła, jeżeli nie mają właściwości antystatycznych lub przewodzących.
4. Utrzymywać odpowiedni przepływ świeżego powietrza w tej przestrzeni.
5. Nie palić papierosów w obszarze pracy.
6. Nie korzystać w obszarze pracy z przełączników światła, silników lub podobnych produktów generujących iskry.
7. Obszar utrzymywać w czystości. Nie mogą się w nim znajdować łatwopalne materiały.
8. Zapoznać się ze wszystkimi kartami charakterystyki substancji niebezpiecznych (MSDS) oraz naklejkami na pojemnikach.
9. Na miejscu powinien znajdować się sprawny sprzęt gaśniczy.
10. Urządzenie generuje iskry. Jeżeli w urządzeniu lub w jego pobliżu jest używany łatwopalny płyn, należy utrzymywać urządzenie w odległości co najmniej 6 m od wybuchowych oparów.



BEZPIECZEŃSTWO ELEKTRYCZNE



1. Wtyczki elektronarzędzi muszą pasować do gniazdek. Zabronione jest modyfikowanie wtyczki w jakikolwiek sposób. Nie podłączać żadnych przejściówek (adapterów) do uziemionych elektronarzędzi. Stosowanie niezmodyfikowanych wtyczek i dopasowanych gniazdek zmniejsza prawdopodobieństwo porażenia elektrycznego.
2. Uziemione narzędzia muszą być podłączone do we właściwy sposób zainstalowanego i uziemionego gniazdka zgodnie ze wszystkimi normami i zarządzeniami. Zabronione jest usuwanie wtyku uziemiającego lub modyfikowanie wtyczki w jakikolwiek sposób. Nie używać jakichkolwiek przejściówek wtyczki. W razie wątpliwości, czy gniazdko jest należycie uziemione, należy skonsultować się z wykwalifikowanym elektrykiem. Jeśli praca elektronarzędzi zacznie przebiegać niewłaściwie lub zepsują się one, uziemienie zapewnia drogę niskooporowego odprowadzenia elektryczności od użytkownika.
3. Unikać kontaktu ciała z powierzchniami uziemionymi, takimi jak rury, grzejniki, chłodziarki. Kiedy ciało użytkownika jest uziemione, zwiększa się prawdopodobieństwo porażenia elektrycznego.
4. Nie wystawiać elektronarzędzi na działanie deszczu lub wilgoci. Woda przedostająca się do elektronarzędzia zwiększa ryzyko porażenia prądem.
5. Kabli używać zgodnie z przeznaczeniem. Nigdy nie używać okablowania do przenoszenia, przeciągania ani do odłączania elektronarzędzia z gniazdka. Trzymać kabel z dala od gorąca, oleju, ostrych krawędzi i od poruszających się części. Wymienić natychmiast uszkodzone przewody. Uszkodzone lub poplątane kable zwiększają ryzyko porażenia prądem.

6. Podczas stosowania elektronarzędzia na zewnątrz używać przedłużaczy dostosowanych do zastosowania na zewnątrz. Wykorzystanie przewodów dostosowanych do pracy na zewnątrz zmniejsza prawdopodobieństwo porażenia elektrycznego



ZAGROŻENIE ZWIĄZANE Z RUCHOMYMI CZĘŚCIAMI

Ruchove części mogą ścisnąć, skaleczyć lub obciąć palce oraz inne części ciała.



1. Nie zbliżać się do ruchomych części.
2. Nie obsługiwać sprzętu bez założonych osłon i pokryw zabezpieczających.
3. Sprzęt znajdujący się pod napięciem może uruchomić się bez ostrzeżenia. Przed sprawdzeniem, przeniesieniem lub serwisem sprzętu należy odłączyć wszystkie źródła zasilania.

ZAGROŻENIE ZWIĄZANE Z NIEWŁAŚCIWYM UŻYTKOWANIEM URZĄDZENIA

Niewłaściwe stosowanie sprzętu może prowadzić do śmierci lub kalectwa.



1. Podczas pracy należy zawsze korzystać z odpowiednich rękawic, osłony oczu i respiratora lub maski.
2. Nie wolno uruchamiać urządzenia lub wykonywać pracy w pobliżu dzieci. Utrzymywać dzieci z dala od urządzenia.
3. Nie wolno przekraczać normalnego zasięgu ani stawiać urządzenia na niestabilnym podłożu. Należy zachowywać dobrą postawę i równowagę.
4. Należy utrzymywać koncentrację i skupić się na wykonywanej czynności.
5. Nie wolno pozostawiać bez nadzoru urządzenia podłączonego do zasilania. Gdy urządzenie nie jest używane, należy je wyłączyć i wykonać procedurę dekompresji.
6. Nie obsługiwać sprzętu w stanie zmęczenia albo pod wpływem substancji odurzających lub alkoholu.
7. Nie wolno załamywać ani nadmiernie wyginać węża.
8. Nie wystawiać przewodu na działanie temperatury lub napięcia przekraczających wartości zalecane przez firmę WABROTECH
9. Nie wolno używać przewodu do przesuwania lub podnoszenia wyposażenia.

ŚRODKI OCHRONY OSOBISTEJ



W trakcie przebywania w obszarze roboczym należy nosić odpowiednie środki ochrony, co pomoże zapobiec poważnym urazom, w tym obrażeniom oczu, utracie słuchu, skutkom wdychania oparów toksycznych oraz oparzeniom.



Środki te obejmują między innymi: okulary ochronne, aparaty oddechowe, odzież ochronną i rękawice zgodne z zaleceniami producenta płynu oraz rozpuszczalnika.



W czasie operowania elektronarzędziami należy zachować czujność, uważać na to, co się robi i postąpić zdrowym rozsądkiem. Nie używać elektronarzędzi w stanie zmęczenia albo pod wpływem narkotyków, alkoholu lub leków. Chwila rozproszenia uwagi w czasie posługiwania się elektronarzędziami może skutkować poważnymi obrażeniami.

1. Stosować wyposażenie bezpieczeństwa. Zawsze używać okularów ochronnych. Środki zabezpieczające, takie jak maska przeciwpyłowa, nieślizgające się buty, kask czy ochraniacze na uszy, jeśli użyte we właściwy sposób, ograniczą obrażenia osobiste.
2. Unikać przypadkowego załączenia. Przed podłączeniem urządzenia upewnić się, że wyłącznik jest w położeniu OFF Umieszczenie palca na wyłączniku w czasie przenoszenia lub podłączanie do prądu urządzeń przy wyłączniku w pozycji ON zwiększa ryzyko wypadków.
3. Usunąć klucz regulujący przed włączeniem urządzenia. Klucz przyczepiony do obracającej się części narzędzia może spowodować obrażenia cielesne.
4. Nie wychylać się nadmiernie. Podczas pracy przyjąć stabilną pozycję. Dzięki temu zapewniona jest lepsza kontrola elektronarzędzia w przypadku nieoczekiwanych sytuacji.
5. Nosić odpowiedni strój. Nie nosić luźnych elementów odzieży lub biżuterii. Włosy, ubrania i rękawiczki utrzymywać z dala od poruszających się części. Luźne ubrania, biżuteria czy długie włosy mogą się zaczepić i utknąć w poruszających się częściach.
6. Jeśli dostarczone zostały przyrządy do ekstrakcji i zbierania pyłów, należy upewnić się, że są podłączone i używane we właściwy sposób. Użycie tych urządzeń może zmniejszyć ryzyko związane z pyłami.

PODŁĄCZENIE DO ZASILANIA ELEKTRYCZNEGO

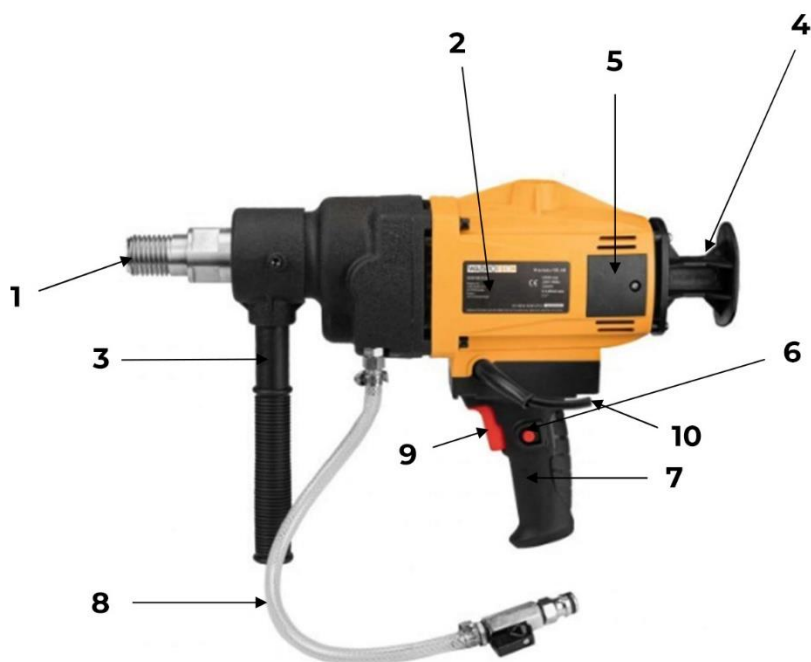


Napięcie sieciowe musi odpowiadać napięciu wskazanemu na tabliczce znamionowej urządzenia. W żadnym wypadku nie wolno używać narzędzia, jeśli kabel zasilający jest uszkodzony. Uszkodzony przewód musi być natychmiast wymieniony przez autoryzowane Centrum Obsługi Klienta. Nie próbować naprawiać uszkodzonego przewodu we własnym zakresie. Użycie uszkodzonych kabli zasilających może prowadzić do porażenia elektrycznego.

WAŻNE: używać tylko trójżyłowego przewodu przedłużającego, który ma wtyczkę uziemiającą z dwoma trzpieniami i otworem oraz gniazdo, do którego można będzie włożyć wtyczkę urządzenia, z dwoma otworami i trzpieniem. Upewnić się, że przewód przedłużający jest w dobrym stanie. Używając przewodu przedłużającego, należy mieć pewność, że ma on parametry wystarczające do przewodzenia prądu, który może pobierać urządzenie. Przewód o zbyt słabych parametrach spowoduje spadek napięcia sieciowego, przez co wystąpią straty mocy i przegrzewanie się. Zaleca się użycie przewodu o przekroju $3 \times 1,5$ mm. Jeśli przewód przedłużający ma zostać użyty na zewnątrz, po określeniu typu przewodu musi mieć oznaczenie W-A. Na przykład oznaczenie SJTW-A wskazywałoby, że przewód jest odpowiedni do wykorzystania na zewnątrz.

2. BUDOWA WT202

WT202



1	Wrzeciono	Posiada gwint wewnętrzny 1/2" i gwint zewnętrzny 1.1/4"
2	Tabliczka znamionowa	Informacja o parametrach maszyny.
3	Rączka przednia	Rękojeść z tworzywa, która pomaga w stabilizacji maszyny.
4	Uchwyt kolbowy	Wspierając ramię o uchwyt, wspomagamy pracę maszyną.
5	Silnik/ zabezpieczenie szczotek	Moc silnika 2300W/Za klapką znajdują się szczotki silnika.
6	Blokada przełącznika ON/OFF	Po wciśnięciu blokady blokujemy przełącznik ON/OFF i blokujemy obroty na maksymalnej wartości.
7	Uchwyt z przełącznikiem spustowym.	Rękojeść z tworzywa, która pomaga w stabilizacji maszyny.
8	Przyłącze wody	Wąż z tworzywa zakończony złączem.
9	Przełącznik ON/OFF	Przełącznik elektryczny maszyny.
10	Przewód zasilający z wtyczką	Wtyczka zasilania UE

3. DANE TECHNICZNE

Model / moc silnika	WT202/ 2300 W
Napięcie / częstotliwość/bezpiecznik	230 V / 50 Hz/20C (Sprawdź tabliczkę znamionową maszyny)
Zakres średnic wiercenia	22mm - 168mm (twardy kamień, żelbet) / 22mm-202mm
Maksymalna prędkość obrotowa	1400 obrotów/min
Mocowanie wiertła	Gwint zewnętrzny: 1 ¹ / ₄ " – Gwint wewnętrzny: 1/2"
PRCD	TAK
Sprzęgło	Mechaniczne
Regulacja obrotów	NIE
Waga netto/brutto	6,5/8 kg

4. PRZEZNACZENIE WIERTNICY DO BETONU

Wiertnice ręczne stanowią część wyposażenia obowiązkowego dla fachowców, zajmujących się działalnością budowlaną, remontową, konstrukcyjną czy instalatorską. Równie dobrze sprawdzają się w zastosowaniach prywatnych. Dlatego tworząc naszą ofertę, korzystaliśmy z opinii doświadczonych specjalistów, poszukujących sprawdzonych i uniwersalnych rozwiązań do wiercenia w materiałach, takich jak asfalt, żelbeton, cegła, beton czy kamień naturalny.

Wiertnice ręczne WABROTECH cechuje maksymalna ergonomia pracy, zapewniana przez lekką wagę i solidne materiały konstrukcyjne, połączona z najwyższą efektywnością otworowania. Użycie najlepszych łożysk maszynowych i w stu procentach miedzianych uzwojeń pozwala na **komfortową, precyzyjną pracę w każdych warunkach**, oszczędzając wiertła tak bardzo, jak to tylko możliwe. Maszyna pozwala wykonywać operacje wiertnicze za pomocą diamentowych wiertel koronowych **w zakresie średnic od 22 mm do 202 mm / dla żelbetu i twardego kamienia tylko do 168 mm**. Zintegrowane przyłącze do sieci wodociągowej umożliwia tworzenie otworów na mokro i sucho.

5. WIERCENIE KORONOWE WIERTŁEM DIAMENTOWYM

1. Osadzić (nakręcić) diamentowe wiertło koronowe na uchwyt wiertnicy (wrzeciono) i dokręcić kluczami płaskimi.

UWAGA: Upewnij się, że gwinty wrzeciona i wiertła rdzeniowego są zgodne. Próba zamontowania niedopasowanych elementów spowoduje uszkodzenie wrzeciona i wiertła.

Upewnij się, że zarówno wiertło rdzeniowe, jak i wrzeciono maszyny są czyste. Wszelkie zanieczyszczenia mogą spowodować nadmierne bicie zamontowanego wiertła rdzeniowego. Nadmierne bicie może spowodować przedwczesną awarię wiertła rdzeniowego i/lub zagrożenie bezpieczeństwa.

2. Bardzo ostrożnie rozpocznij wiercenie. W przypadku trzymania ręcznego należy rozpocząć wiercenie pod kątem 30- stopni względem powierzchni wiercenia. (Duży kawałek drewna z dużym nacięciem w kształcie litery „V” pomoże w zapobiegnięciu ślizgania się wiertła na początku wiercenia). Po wywierceniu około jednej trzeciej łuku, wyprostuj wiertło do prawidłowego prostopadłego kąta, zachowując wystarczającą siłę nacisku na wiertło, aby zapobiec ślizganiu się po powierzchni.
3. Po zakończeniu nawiercania, stosuj stały nacisk.

4. Podczas przebijania się na drugą stronę, przytrzymaj mocno maszynę i zmniejszaj nacisk.

OSTRZEŻENIE: Zawsze trzymaj twarz z dala od maszyny.

Impregnowane diamentowe segmenty w diamentowym wiertle koronkowym działają na zasadzie kontrolowanej erozji. Matryca wiążąca z diamentami jest stale zużywana przez ścieranie z obrabianym elementem, odsłaniając stępione.

Zobacz poniżej „OSTRZENIE STĘPIONEGO WIERTŁA“

Nie wykonuj nigdy nagłych ruchów – w przeciwnym razie dojdzie do uszkodzenia wiertła. I odwrotnie, nie wierć zbyt delikatnie, gdyż segmenty diamentowe potrzebują tarcia by się nieustannie ostrzyć. Utrzymuj wiertło w ciągłej pracy.

W przypadku trzymania ręcznego, należy zachować ostrożność, aby dopasować wiertło do otworu. Jeśli wiertło jest krzywe, to może dojść do jego łatwego zakleszczenia.

Uwaga: W przypadku utknięcia wiertła, nie staraj się go rozkołysać poprzez wyłączenie i włączenie urządzenia. Jest to niebezpieczne i może spowodować uszkodzenie silnika. Zamiast tego, należy odłączyć maszynę i użyć klucza w celu poluzowania mocowania.

Uwaga: Operacje związane z wierceniem bardzo obciążają silnik i przy końcu wiercenia, temperatura silnika będzie bardzo wysoka. Zawsze pracuj silnikiem bez obciążenia przez kilka minut, aż temperatura powróci do normalnego zakresu.

Wyłącz przełącznik i pozwól, aby wiertło zatrzymało się przed wymianą.

6. OSTRZENIE STĘPIONEGO WIERTŁA

Jeżeli wiertło staje się tępe, idealnym sposobem na jego ponowne naostrzenie jest pokrycie odpowiednim tlenkiem glinu lub węglikiem krzemu. Po prostu, wierć w materiale do ostrzenia przez czas potrzebny do przywrócenia wiertła do stanu pozwalającego na powrót do stanu efektywności wierniczej.

7. ROZWIĄZYWANIE PROBLEMÓW ZWIĄZANYCH Z WIBRACJĄ

W przypadku wystąpienia wibracji, która nie jest spowodowana przez osadzoną stal, zaprzestań wiercenia w celu znalezienia przyczyny i rozwiązania. **Uwaga: Nie wolno pracować podczas wibracji, gdyż może to doprowadzić do poważnego zagrożenia. Diamentowe wiertło koronkowe z pewnością ulega zniszczeniu.**

Wibracje i drgania maszyny są zwykle spowodowane przez:

1. Wiertło jest krzywe, nie centryczne

Rozwiązanie: wymień wiertło.

2. Wiertło nie ma wszystkich segmentów

Rozwiązanie: Napraw lub wymień wiertło.

8. WŁĄCZANIE MASZYNY

Urządzenie wyposażone jest w wyłącznik różnicowoprądowy zamontowany na przewodzie zasilającym, przy wtyczce. Posiada on dwa przyciski oraz lampkę sygnalizacyjną. Jeżeli lampka sygnalizacyjna świeci się na czerwono urządzenie jest gotowe do pracy. Po wystąpieniu zaniku zasilania lub zwarcia w instalacji zadziała bezpiecznik, odcinając dopływ napięcia - lampka sygnalizacyjna przestanie świecić. Aby ponownie przygotować maszynę do pracy, należy nacisnąć przycisk "RESET". Jeżeli lampka sygnalizacyjna nadal nie świeci się, oznacza to, że w sieci nie ma zasilania lub w instalacji występuje zwarcie. Przycisk "TEST" służy do odłączania napięcia.

9. CZYNNOŚCI KONTROLNE

Uwaga: Czynności kontrolne należy wykonywać przy wyjętej z gniazdka wtyczce.

Przed uruchomieniem wiertnicy należy sprawdzić stan narzędzia roboczego. **Każdy ubytek, pęknięcie czy wykruszenie segmentu diamentowego wiertła koronowego dyskwalifikuje narzędzie.** Należy wtedy zamontować nowe wolne od wad.

Urządzenie należy pieczołowicie pielęgnować. Należy kontrolować, czy ruchome części urządzenia funkcjonują bez zarzutu i nie są zablokowane, czy części nie są popękane lub uszkodzone, co mogłoby mieć wpływ na prawidłowe funkcjonowanie urządzenia. Uszkodzone części należy przed użyciem urządzenia oddać do naprawy. Wiele wypadków spowodowanych jest przez niewłaściwą konserwację elektronarzędzi.

Należy pamiętać, że pozostałości cięcia materiałów ceramicznych są korozjogenne. Nie należy pozostawiać maszyny nieoczyszczonej w momencie zakończenia pracy. Może to doprowadzić do korozji poszczególnych elementów wiertnicy.

Co 50 godzin pracy przedmuchać sprężonym powietrzem silnik podczas pracy bez obciążenia, aby usunąć nagromadzony pył.

Zawsze sprawdzaj kabel zasilający pod kątem uszkodzenia, sprawdzaj czy elementy mocujące nie są poluzowane i zawsze zachowuj czujność w przypadku nietypowych hałasów i wibracji podczas pracy.

10. SZCZOTKI WĘGLOWE

Szczotki węglowe są normalną częścią zużywalną i muszą być wymienione, gdy osiągną granicę zużycia. Maszyna jest wyposażona w szczotki węglowe. W przypadku niespodziewanego zatrzymania maszyny, należy sprawdzić szczotki.

Uwaga: Zawsze wymieniaj szczotki parami

Aby wymienić szczotki:

- Wystarczy zdjąć nasadki szczoteczek i wyjąć stare szczotki.
- Wymieniając szczotki na nowe (zawsze wymieniaj je parami), upewnij się, że są prawidłowo osadzone.

OSTRZEŻENIE: Wszystkie naprawy muszą zostać powierzone autoryzowanemu serwisowi. Nieprawidłowo wykonane naprawy mogą prowadzić do obrażeń lub śmierci.

11. UŻYTKOWANIE

WIERCENIE NA SUCHO

Wiercenie na sucho różni się od wiercenia na mokro. Podczas wiercenia na sucho nie wolno napierać na wiertnicę zbyt mocno. Należy pozwolić narzędziu pracować we własnym tempie. Wiercenie na sucho odbywa się zwykle w bardziej miękkich materiałach. Maszyna może również wiercić na sucho w żelbecie, za pomocą specjalnych wiertel diamentowych.

WIERCENIE NA SUCHO W ŻELBECIE

Wymaga to użycia specjalnych wiertel diamentowych do tego przeznaczonych. Niezbędne w tym procesie jest skuteczne zbieranie pyłu. Użyj funkcji mikro udaru. Zawsze używaj statywu wiertniczego dla średnic powyżej 80 mm.

5. W przypadku wiercenia na sucho, wystarczy odpiąć przyłączy wody i zakręcić zawór wodny. Z pomocą odpowiedniego klucza nakręcić adapter odsysacza na wrzeciono.



1. Na zdjęciu widzimy adaptery do odsysania pyłu, zamontowany na wrzeciono.



2. Odłącz przyłącze wody od źródła i zakręć zawór wodny.
3. Połącz odkurzacz i rozpocznij pracę.

PRZEŁĄCZNIK

Maszyna posiada przełącznik spustowy. Aby rozpocząć pracę naciśnij spust, aby uruchomić silnik. Aby zablokować przełącznik, wduś przycisk blokady, który zablokuje przełącznik w pozycji „ON”.

Aby zwolnić blokadę spustu, wciśnij go delikatnie i zwolnij blokadę spustu. Przełącznik wróci do pozycji „OFF”.

OSTRZEŻENIE: Nigdy nie blokuj przełącznika spustowego podczas wiercenia ręcznego. Zablokuj przełącznik po zamontowaniu wiertnicy na statywie.

SPRZĘGŁO BEZPIECZEŃSTWA

Maszyna jest wyposażona w mechaniczne sprzęgło, które chroni maszynę przed przeciążeniem wrzeciona. Po wielokrotnym wymuszeniu poślizgu sprzęgła ulegnie ono zużyciu i zacznie się ślizgać przy coraz niższych poziomach momentu obrotowego. W takim wypadku polecamy przekazanie maszyny na serwis.

12. Kompatybilność

Wiertnica jest kompatybilna ze statywem WT45S i hydronetką WABROTECH 11L. Aby zamontować wiertnicę na statywie należy zastosować obejmę 62mm



13. ROZWIĄZYWANIE PROBLEMÓW

Problem	Przyczyna	Rozwiązanie
Wiertnica nie działa	Kabel zasilający jest źle podłączony lub uszkodzony	Wcisnąć głębiej wtyczkę do gniazdka Sprawdź kabel zasilający
	W gniazdku nie ma napięcia sieciowego	Sprawdź napięcie w gniazdku lub czy nie zadziałał bezpiecznik
	Zużyte szczotki silnika	Wymień szczotki na nowe
	Uszkodzony włącznik	Wymień włącznik na nowy
	Uszkodzony różnicowoprądowy PRCD wyłącznik	Wymień włącznik różnicowoprądowy
	Drgania	Sprawdź stan wiertła lub wrzeciona.

DEFINITIONEN DER IN DER ANLEITUNG VERWENDETEN PIKTOGRAMME:



HANDBUCH LESEN



STAUBMASKEN VERWENDEN



AUGENSCHUTZ VERWENDEN



SCHUTZHANDSCHUHE TRAGEN



BEMERKUNG! ERDUNG
VERWENDEN



Warnung vor elektrischem Schlag



Warnung vor beweglichen Teilen



Getrennt lagern und
umweltgerecht entsorgen



Warnung vor Explosionsgefahr



Bitte beachten Sie die mit diesem
Symbol im Text gekennzeichneten
Anfahrtsbeschreibungen!

1. SICHERHEITSTIPPS



Allgemeine Sicherheitshinweise für Elektrowerkzeuge

Sie sollten alle Tipps und Rezepte lesen. Die Nichtbeachtung der folgenden Richtlinien kann zu Stromschlägen, Bränden und/oder schweren Verletzungen führen. Bewahren Sie alle Rezepte und Sicherheitshinweise für die weitere Verwendung sorgfältig auf. Der im Folgenden verwendete Begriff "Elektrowerkzeug" bezieht sich auf netzbetriebene Elektrowerkzeuge (mit Netzkabel) und akkubetriebene Elektrowerkzeuge (ohne Netzkabel).

1. Sicherheit am Arbeitsplatz

- A. Halten Sie Ihren Arbeitsplatz sauber und gut beleuchtet. Ein aufgeräumter Arbeitsplatz oder ein unbeleuchteter Arbeitsplatz kann zu Unfällen führen.
- B. Betreiben Sie dieses Elektrowerkzeug nicht in explosionsgefährdeten Umgebungen, z. B. in Umgebungen mit brennbaren Flüssigkeiten, Gasen oder Staub. Beim Betrieb des Elektrowerkzeugs entstehen Funken, die eine Entzündung verursachen können.
- C. Achten Sie bei der Verwendung des Geräts darauf, dass Kinder und andere Umstehende einen sicheren Abstand einhalten. Ablenkung kann dazu führen, dass Sie die Kontrolle über das Werkzeug verlieren.

2. Elektrische Sicherheit

- A. Der Stecker des Elektrowerkzeugs muss mit der Steckdose übereinstimmen. Verändern Sie den Stecker in keiner Weise. Adapterstecker dürfen nicht für Elektrowerkzeuge mit Schutzerdung verwendet werden. Unveränderte Stecker und passende Steckdosen verringern das Risiko eines Stromschlags.

- B. Der Kontakt mit geerdeten Oberflächen wie Rohren, Heizkörpern, Herden und Kühlschränken sollte vermieden werden. Das Risiko eines Stromschlags ist größer, wenn der Körper des Benutzers geerdet ist.
- C. Das Gerät sollte vor Regen und Feuchtigkeit geschützt werden. Wasser, das in das Elektrowerkzeug eindringt, erhöht das Risiko eines Stromschlags.
- D. Verwenden Sie das Kabel niemals für andere Aktivitäten. Tragen Sie das Elektrowerkzeug niemals am Kabel und hängen Sie das Gerät niemals mit dem Kabel auf. Es ist auch verboten, den Stecker durch Ziehen am Kabel aus der Steckdose zu ziehen. Das Kabel sollte vor hohen Temperaturen geschützt werden, halten Sie es von Öl, scharfen Kanten oder beweglichen Teilen des Geräts fern. Beschädigte oder verhedderte Drähte erhöhen das Risiko eines Stromschlags.
- E. Verwenden Sie beim Betrieb des Elektrowerkzeugs im Freien ein Verlängerungskabel, das auch für den Außenbereich geeignet ist. Die Verwendung eines geeigneten Verlängerungskabels (für den Außenbereich geeignet) verringert das Risiko eines Stromschlags.
- F. Wenn das Elektrowerkzeug in feuchter Umgebung nicht vermieden werden kann, verwenden Sie einen Fehlerstromschutzschalter. Die Verwendung eines Fehlerstromschutzschalters verringert das Risiko eines Stromschlags.

3. Persönliche Sicherheit

- A. Wenn Sie mit einem Elektrowerkzeug arbeiten, seien Sie vorsichtig und führen Sie jeden Vorgang sorgfältig und mit Vorsicht aus. Verwenden Sie das Elektrowerkzeug nicht, wenn Sie müde sind oder unter dem Einfluss von Drogen, Alkohol oder Medikamenten stehen. Ein Moment der Unachtsamkeit mit einem Elektrowerkzeug kann zu schweren Verletzungen führen.
- B. Persönliche Schutzausrüstung und Schutzbrille müssen jederzeit getragen werden. Das Tragen von persönlicher Schutzausrüstung - Staubmaske, Schuhwerk mit rutschfester Sohle, Schutzhelm oder Gehörschutz (je nach Art und Verwendung des Elektrowerkzeugs) - verringert das Verletzungsrisiko.
- C. Ein unbeabsichtigtes Starten des Werkzeugs sollte vermieden werden. Stellen Sie vor dem Einstecken des Steckers in die Steckdose und/oder dem Anschließen an den Akku sowie vor dem Anheben oder Tragen des Elektrowerkzeugs sicher, dass das Elektrowerkzeug ausgeschaltet ist. Wenn Sie beim Bewegen des Elektrowerkzeugs oder beim Anschließen des Werkzeugs den Finger am Schalter halten, kann dies zu einem Unfall führen.
- D. Entfernen Sie vor dem Betrieb des Elektrowerkzeugs die Einstellwerkzeuge oder Schraubenschlüssel. Ein Werkzeug oder Schraubenschlüssel in beweglichen Teilen des Geräts kann zu Verletzungen führen.
- E. Unnatürliche Arbeitspositionen sollten vermieden werden. Es ist wichtig, eine stabile Arbeitsposition und Balance zu halten. Auf diese Weise können Sie das Elektrowerkzeug in unvorhergesehenen Situationen besser steuern.
- F. Angemessene Kleidung muss getragen werden. Lose Kleidung oder Schmuck sollten nicht getragen werden. Halten Sie Haare, Kleidung und Handschuhe von beweglichen Teilen fern. Lose Kleidung, Schmuck oder lange Haare können sich in beweglichen Teilen verfangen.
- G. Wenn es möglich ist, Staubabsaug- und Sammelgeräte zu installieren, stellen Sie sicher, dass diese angeschlossen sind und richtig verwendet werden. Der Einsatz einer Staubabsaugung kann die Staubgefahr verringern.

4. Korrekte Bedienung und Bedienung von Elektrowerkzeugen

- A. Überlasten Sie das Gerät nicht. Verwenden Sie Elektrowerkzeuge, die für diesen Zweck ausgelegt sind. Mit dem richtigen Elektrowerkzeug können Sie in einem bestimmten Leistungsbereich besser und sicherer arbeiten.

- B. Verwenden Sie kein Elektrowerkzeug, dessen Ein-/Ausschalter beschädigt ist. Ein Elektrowerkzeug, das nicht ein- oder ausgeschaltet werden kann, ist gefährlich und muss repariert werden.
- C. Ziehen Sie vor dem Einstellen des Werkzeugs, dem Wechseln des Zubehörs oder dem Anhalten des Werkzeugs den Netzstecker und/oder entfernen Sie den Akku. Diese Vorsichtsmaßnahme verhindert, dass das Elektrowerkzeug unbeabsichtigt eingeschaltet wird.
- D. Bewahren Sie Elektrowerkzeuge bei Nichtgebrauch außerhalb der Reichweite von Kindern auf. Teilen Sie das Tool nicht mit Personen, die damit nicht vertraut sind oder diese Regeln nicht gelesen haben. Elektrowerkzeuge, die von unerfahrenen Personen verwendet werden, sind gefährlich.
- E. Eine ordnungsgemäße Wartung des Elektrowerkzeugs ist erforderlich. Prüfen Sie, ob die beweglichen Teile des Geräts einwandfrei funktionieren und nicht blockiert sind, dass die Teile nicht gerissen oder beschädigt sind, die den ordnungsgemäßen Betrieb des Elektrowerkzeugs beeinträchtigen würden. Beschädigte Teile müssen repariert werden, bevor das Gerät verwendet werden kann. Viele Unfälle werden durch unsachgemäße Wartung von Elektrowerkzeugen verursacht.
- F. Elektrowerkzeuge, Zubehör, Hilfswerkzeuge usw. müssen gemäß diesen Empfehlungen verwendet werden. Die Bedingungen und die Art der ausgeführten Arbeiten sollten berücksichtigt werden. Eine unsachgemäße Verwendung des Elektrowerkzeugs kann zu gefährlichen Situationen führen.

5. Dienst

- A. Lassen Sie das Elektrowerkzeug nur von einem qualifizierten Fachmann und mit Originalersatzteilen reparieren. Dadurch wird sichergestellt, dass die Sicherheit des Geräts erhalten bleibt.



Arbeitsschutztipps für elektrische Handbohrgeräte

- Die Maschine ist mit Wasserwaagen ausgestattet, um das Einstellen des Werkzeugs zu erleichtern. Verwenden Sie eine Wasserwaage, um die Maschine horizontal zu positionieren.
- Diese Maschine ist für Diamantbohrungen in Beton, Mauerwerk, Stein und ähnlichen Materialien ausgelegt.
- Das Gerät kann mit einer 62-mm-Klemme auf einem WT45S-Stativ montiert werden.
- Alle anderen Missbräuche sind untersagt.
- Das Gerät ist mit einem Zweiganggetriebe ausgestattet.
- Alle Modelle sind mit einer mechanischen Sicherheitskupplung ausgestattet.
- Alle Modelle verfügen über Elektronik für Sanftanlauf, Überlastschutz und Thermoschutz.
- Die Spannung muss der auf dem Typenschild des Werkzeugs angegebenen Spannung entsprechen. Das Werkzeug darf unter keinen Umständen verwendet werden, wenn das Netzkabel beschädigt ist. Ein beschädigtes Kabel muss sofort von einem Servicecenter ausgetauscht werden. Versuchen Sie nicht, ein beschädigtes Kabel selbst zu reparieren. Die Verwendung beschädigter Stromkabel kann zu Stromschlägen führen.
- Arbeiten Sie nicht mit einem stumpfen oder beschädigten Bohrer.
- Es ist verboten, Diamantbohrer zu verwenden, die nicht den in der Bedienungsanleitung angegebenen technischen Parametern entsprechen.
- Betreiben Sie die Maschine nicht in der Nähe von Behältern mit brennbaren Flüssigkeiten oder Gasen.

- Wir empfehlen Ihnen, beim Bohren von Hand einen Bohrer mit einem maximalen Durchmesser von 80 mm zu verwenden.

BRAND- UND EXPLOSIONSGEFAHR



Brennbare Dämpfe von Lösungsmitteln und Farben im Arbeitsbereich können sich entzünden oder explodieren. So verhindern Sie einen Brand oder eine Explosion:



1. Arbeiten Sie nicht in der Nähe von brennbaren und brennbaren Materialien in der Nähe von offenen Flammen oder Zündquellen, z. B. Zigaretten, externen Motoren und anderen elektrischen Geräten.
2. Statische Elektrizität stellt in Gegenwart von Farb- oder Lösungsmitteldämpfen eine Brand- oder Explosionsgefahr dar.
3. Überprüfen Sie, ob alle Behälter und Sammelsysteme geerdet sind, um statische Entladungen zu vermeiden. Verwenden Sie die Eimerauskleidungen nicht, wenn sie keine antistatischen oder leitfähigen Eigenschaften haben.
4. Sorgen Sie für einen ausreichenden Frischluftstrom in diesem Raum.
5. Rauchen Sie nicht im Arbeitsbereich.
6. Verwenden Sie keine Lichtschalter, Motoren oder ähnliche Produkte, die Funken im Arbeitsbereich erzeugen.
7. Halten Sie den Bereich sauber. Es dürfen keine brennbaren Materialien darin sein.
8. Machen Sie sich mit allen Sicherheitsdatenblättern (MSDS) und Aufklebern auf Behältern vertraut.
9. Vor Ort sollte eine funktionsfähige Brandbekämpfungsausrüstung vorhanden sein.
10. Das Gerät erzeugt Funken. Wenn eine brennbare Flüssigkeit im oder in der Nähe des Geräts verwendet wird, halten Sie das Gerät mindestens 6 m von explosiven Dämpfen entfernt.



ELEKTRISCHE SICHERHEIT



1. Die Stecker von Elektrowerkzeugen müssen zu den Steckdosen passen. Es ist verboten, das Plugin in irgendeiner Weise zu verändern. Schließen Sie keine Adapter an geerdete Elektrowerkzeuge an. Die Verwendung von unveränderten Steckern und Steckdosen verringert die Wahrscheinlichkeit eines Stromschlags.
2. Geerdete Werkzeuge müssen gemäß allen Vorschriften und Verordnungen an eine ordnungsgemäß installierte und geerdete Steckdose angeschlossen werden. Es ist verboten, den Erdungsstecker zu entfernen oder den Stecker in irgendeiner Weise zu modifizieren. Verwenden Sie keine Steckeradapter. Wenn Sie Zweifel haben, ob eine Steckdose ordnungsgemäß geerdet ist, wenden Sie sich an einen qualifizierten Elektriker. Wenn Elektrowerkzeuge nicht mehr funktionieren oder ausfallen, bietet die Erde eine widerstandsarme Möglichkeit, Strom vom Benutzer abzuleiten.
3. Vermeiden Sie Körperkontakt mit geerdeten Oberflächen wie Rohren, Heizkörpern, Kühlschränken. Wenn der Körper des Benutzers geerdet ist, steigt die Wahrscheinlichkeit eines Stromschlags.

4. Setzen Sie Elektrowerkzeuge weder Regen noch Feuchtigkeit aus. Wasser, das in das Elektrowerkzeug eindringt, erhöht das Risiko eines Stromschlags.
5. Verwenden Sie Kabel wie vorgesehen. Verwenden Sie die Verkabelung niemals zum Tragen, Ziehen oder Trennen des Elektrowerkzeugs von der Steckdose. Halten Sie das Kabel von Hitze, Öl, scharfen Kanten und beweglichen Teilen fern. Ersetzen Sie beschädigte Kabel sofort. Beschädigte oder verhedderte Kabel erhöhen das Risiko eines Stromschlags.
6. Wenn Sie das Elektrowerkzeug im Freien verwenden, verwenden Sie Verlängerungskabel, die für den Außenbereich geeignet sind. Die Verwendung von Kabeln, die für den Außenbereich geeignet sind, verringert die Wahrscheinlichkeit eines Stromschlags



GEFAHR DURCH BEWEGLICHE TEILE

Bewegliche Teile können Finger und andere Körperteile einklemmen, schneiden oder schneiden.



1. Halten Sie sich von beweglichen Teilen fern.
2. Betreiben Sie das Gerät nicht ohne Schutzvorrichtungen und Schutzabdeckungen.
3. Live-Geräte können ohne Vorwarnung starten. Trennen Sie vor der Inspektion, dem Bewegen oder der Wartung des Geräts alle Stromquellen.

GEFAHR IM ZUSAMMENHANG MIT UNSACHGEMÄSSER VERWENDUNG DES GERÄTS

Unsachgemäße Verwendung von Geräten kann zum Tod oder zur Behinderung führen.



1. Verwenden Sie bei der Arbeit immer geeignete Handschuhe, einen Augenschutz und eine Atemschutzmaske oder -maske.
2. Betreiben Sie das Gerät nicht und arbeiten Sie nicht in der Nähe von Kindern. Halten Sie Kinder vom Gerät fern.
3. Überschreiten Sie nicht den normalen Bereich und stellen Sie das Gerät nicht auf instabilen Boden. Eine gute Körperhaltung und ein gutes Gleichgewicht müssen beibehalten werden.
4. Sie sollten konzentriert bleiben und sich auf die anstehende Aktivität konzentrieren.
5. Lassen Sie das Gerät nicht unbeaufsichtigt, während es angeschlossen ist. Wenn das Gerät nicht verwendet wird, schalten Sie es aus und führen Sie den Dekomprimierungsvorgang durch.
6. Betreiben Sie das Gerät nicht, wenn Sie müde sind oder unter dem Einfluss von berauschenden Substanzen oder Alkohol stehen.
7. Biegen Sie den Schlauch nicht oder biegen Sie ihn nicht übermäßig.
8. Setzen Sie das Kabel keinen Temperaturen oder Spannungen aus, die über den von WABROTECH empfohlenen Werten liegen
9. Verwenden Sie das Kabel nicht zum Bewegen oder Heben von Geräten.

PERSÖNLICHE SCHUTZAUSRÜSTUNG (PSA)



Tragen Sie im Arbeitsbereich geeignete Schutzausrüstung, um schwere Verletzungen wie Augenverletzungen, Hörverlust, giftige Dämpfe und Verbrennungen zu vermeiden.



Zu diesen Maßnahmen gehören unter anderem: Schutzbrille, Atemschutzgerät, Schutzkleidung und Handschuhe gemäß den Empfehlungen des Herstellers und Lösungsmittel.



Beim Betrieb von Elektrowerkzeugen sollten Sie wachsam sein, vorsichtig mit dem, was Sie tun, und den gesunden Menschenverstand einsetzen. Verwenden Sie Elektrowerkzeuge nicht, wenn Sie müde sind oder unter dem Einfluss von Drogen, Alkohol oder Medikamenten stehen. Ein Moment der Ablenkung bei der Verwendung von Elektrowerkzeugen kann zu schweren Verletzungen führen.

1. Verwenden Sie Sicherheitsausrüstung. Tragen Sie immer eine Schutzbrille. Sicherheitsmaßnahmen wie eine Staubmaske, rutschfeste Schuhe, Helm oder Gehörschutz reduzieren bei richtiger Anwendung Verletzungen.
2. Vermeiden Sie versehentliches Wechseln. Stellen Sie sicher, dass sich der Schalter in der Position OFF befindet, bevor Sie das Gerät anschließen. Wenn Sie beim Bewegen den Finger auf den Schalter legen oder Geräte mit dem Schalter in der Position ON anschließen, erhöht sich die Unfallgefahr.
3. Entfernen Sie den Einstellschlüssel, bevor Sie das Gerät einschalten. Ein Schraubenschlüssel, der an einem rotierenden Teil des Werkzeugs befestigt ist, kann zu Verletzungen führen.
4. Überanstrengen Sie sich nicht. Nehmen Sie während des Betriebs eine stabile Position ein. Dies gewährleistet eine bessere Kontrolle des Elektrowerkzeugs bei unerwarteten Situationen.
5. Tragen Sie angemessene Kleidung. Tragen Sie keine losen Kleidungsstücke oder Schmuckstücke. Halten Sie Haare, Kleidung und Handschuhe von beweglichen Teilen fern. Lose Kleidung, Schmuck oder lange Haare können sich verfangen und in beweglichen Teilen stecken bleiben.
6. Wenn Staubabsaug- und -sammelgeräte geliefert wurden, stellen Sie sicher, dass diese richtig angeschlossen und verwendet werden. Die Verwendung dieser Geräte kann die mit Staub verbundenen Risiken verringern.

ANSCHLUSS AN DIE STROMVERSORUNG

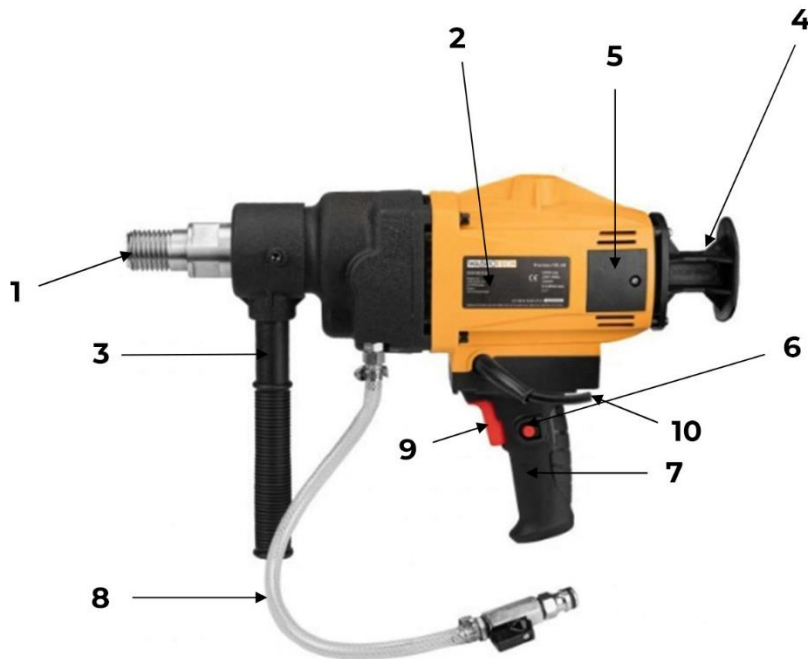


Die Netzspannung muss der auf dem Typenschild des Geräts angegebenen Spannung entsprechen. Das Werkzeug darf unter keinen Umständen verwendet werden, wenn das Netzkabel beschädigt ist. Ein beschädigtes Kabel muss sofort von einem autorisierten Kundendienstzentrum ersetzt werden. Versuchen Sie nicht, das beschädigte Kabel selbst zu reparieren. Die Verwendung beschädigter Stromkabel kann zu Stromschlägen führen.

WICHTIG: Verwenden Sie nur ein dreiadriges Verlängerungskabel mit einem Erdungsstecker mit zwei Stiften und einem Loch und einer Steckdose, in die der Stecker des Geräts mit zwei Löchern und einem Stift eingesteckt werden kann. Stellen Sie sicher, dass das Verlängerungskabel in gutem Zustand ist. Achten Sie bei der Verwendung eines Verlängerungskabels darauf, dass es stark genug ist, um den Strom zu führen, den das Gerät ziehen kann. Ein Kabel mit zu schwachen Parametern führt zu einem Abfall der Netzspannung, was zu Leistungsverlusten und Überhitzung führt. Es wird empfohlen, ein 3 × 1,5 mm Kabel zu verwenden. Wenn das Verlängerungskabel im Freien verwendet werden soll, muss es nach Angabe des Kabeltyps mit W-A gekennzeichnet werden. Beispielsweise würde die Bezeichnung SJTW-A darauf hinweisen, dass das Kabel für den Außenbereich geeignet ist.

2. WT202 KONSTRUKTION

WT202



1	Spindel	Sie hat ein internes Gewinde von 1/2" und ein externes Gewinde von 1 1/4".
2	Typenschild	Informationen über die Parameter der Maschine.
3	Vorderer Griff	Ein Kunststoffgriff, der dabei hilft, die Maschine zu stabilisieren.
4	Pistolenhandgriff	Durch Unterstützung des Arms am Griff unterstützen wir die Arbeit mit der Maschine.
5	Motor/Bürstenschutz	Motorleistung 2300W/Bürsten befinden sich hinter der Klappe.
6	Ein-/Aus-Schalter-Sperre	Durch Drücken der Sperre verriegeln wir den Ein-/Aus-Schalter und blockieren die Geschwindigkeit auf maximalen Wert.
7	Auslöseschalter-Griff	Ein Kunststoffgriff, der dabei hilft, die Maschine zu stabilisieren.
8	Wasseranschluss	Ein Kunststoffschlauch mit einem Anschluss.
9	Ein-/Aus-Schalter	Elektrischer Schalter der Maschine.
10	Netzkabel mit Stecker	EU-Netzstecker.

3. SPEZIFIKATIONEN

Motormodell / Leistung	WT202/2300 W
Spannung/Frequenz/Sicherung	230V/50Hz/20C (Typenschild der Maschine prüfen)
Bereich der Bohrdurchmesser	22mm - 168mm (Hartgestein, Stahlbeton) / 22mm-202mm
Maximale Drehzahl	1400 U/min
Anbringen des Bohrers	Außengewinde: 1 ¹ / ₄ " – Innengewinde: 1 ¹ / ₂ "
PRCD	JA
Kupplung	Mechanisch
Geschwindigkeitsregelung	Nein
Netto-/Bruttogewicht	6,5/8 kg

4. ZWECK DES BETONBOHRGERÄTS

Manuelle Bohrgeräte gehören zur obligatorischen Ausrüstung für Fachleute, die an Bau-, Renovierungs-, Bau- oder Installationstätigkeiten beteiligt sind. Sie sind gleichermaßen für den privaten Gebrauch geeignet. Daher haben wir bei der Erstellung unseres Angebots die Meinungen erfahrener Spezialisten herangezogen, die nach bewährten und universellen Lösungen für das Bohren in Materialien wie **Asphalt, Stahlbeton, Ziegel, Beton oder Naturstein** gesucht haben.

WABROTECH Handbohrgeräte zeichnen sich durch maximale Arbeitsergonomie aus, die durch geringes Gewicht und solide Baumaterialien gewährleistet wird, kombiniert mit höchster Bohreffizienz. Die Verwendung der besten Maschinenlager und hundertprozentiger Kupferwicklungen ermöglicht ein **komfortables und präzises Arbeiten unter allen Bedingungen**, wodurch Bohrer so weit wie möglich eingespart werden. Die Maschine ermöglicht Bohrarbeiten mit Diamantkernbohrern **im Durchmesserbereich von 22 mm bis 202 mm / für Stahlbeton und Hartgestein nur bis 168 mm**. Der integrierte Anschluss an das Wasserversorgungsnetz ermöglicht die Schaffung von Nass- und Trockenöffnungen.

5. DIAMANT-KERNBOHREN

1. Setzen Sie den Diamantkernbohrer auf das Bohrfutter (Spindel) und ziehen Sie ihn mit Maulschlüsseln fest.

Anmerkungen: Stellen Sie sicher, dass die Gewinde der Spindel und des Kernbohrers übereinstimmen. Der Versuch, nicht übereinstimmende Komponenten zu installieren, beschädigt die Spindel und den Bohrer.

Stellen Sie sicher, dass sowohl der Kernbohrer als auch die Spindel der Maschine sauber sind. Schmutz kann zu einem übermäßigen Rundlauf des montierten Bohrkronens führen. Übermäßiger Rundlauf kann zu vorzeitigem Ausfall des Kernbohrers und/oder Sicherheitsrisiken führen.

2. Beginnen Sie sehr vorsichtig mit dem Bohren. Wenn Sie es von Hand halten, beginnen Sie mit dem Bohren in einem Winkel von 30 Grad zur Bohrfläche. (Ein großes Stück Holz mit einer großen "V"-Kerbe verhindert, dass der Bohrer zu Beginn des Bohrens verrutscht.) Nachdem Sie etwa ein Drittel des Bogens gebohrt haben, richten Sie den Bohrer im richtigen senkrechten Winkel aus und halten Sie dabei genügend Druck auf den Bohrer aufrecht, um ein Verrutschen auf der Oberfläche zu verhindern.

3. Wenn Sie mit dem Bohren fertig sind, üben Sie konstanten Druck aus.
4. Halten Sie die Maschine beim Durchbrechen auf der anderen Seite fest und reduzieren Sie den Druck.

WARNUNG: Halten Sie Ihr Gesicht immer von der Maschine fern.

Die imprägnierten Gesenksegmente im Diamantkernbohrer arbeiten nach dem Prinzip der kontrollierten Erosion. Die Diamantbindungsmatrix wird ständig durch Abrieb mit dem Werkstück abgenutzt, wodurch das Stumpfe freigelegt wird.

Siehe unten "SCHÄRFEN EINES STUMPFEN BOHRERS"

Machen Sie niemals plötzliche Bewegungen – sonst wird der Bohrer beschädigt. Bohren Sie umgekehrt nicht zu vorsichtig, da Diamantsegmente Reibung benötigen, um ständig geschärft zu werden. Lassen Sie den Bohrer kontinuierlich laufen.

Beim Halten mit der Hand muss darauf geachtet werden, dass der Bohrer in das Loch passt. Wenn der Bohrer schief ist, kann er leicht klemmen.

Hinweis: Wenn der Bohrer stecken bleibt, versuchen Sie nicht, ihn durch Aus- und Einschalten der Maschine zu schaukeln. Dies ist gefährlich und kann zu Schäden am Motor führen. Trennen Sie stattdessen die Maschine vom Stromnetz und lösen Sie die Halterung mit einem Schraubenschlüssel.

Hinweis: Bohrvorgänge belasten den Motor stark und am Ende des Bohrens ist die Temperatur des Motors sehr hoch. Lassen Sie den Motor immer einige Minuten ohne Last laufen, bis die Temperatur wieder in den normalen Bereich zurückkehrt.

Schalten Sie den Schalter aus und lassen Sie den Bohrer stoppen, bevor Sie ihn austauschen.

6. SCHÄRFEN EINES STUMPFEN BOHRERS

Wenn der Bohrer stumpf wird, können Sie ihn idealerweise nachschärfen, indem Sie ihn mit einem geeigneten Aluminiumoxid oder Siliziumkarbid beschichten. Bohren Sie einfach in das zu schärfende Material für die Zeit, die benötigt wird, um den Bohrer wieder in einen Zustand zu versetzen, der es ihm ermöglicht, in einen Zustand der Bohreffizienz zurückzukehren.

7. FEHLERBEHEBUNG BEI VIBRATIONEN

Wenn eine Vibration auftritt, die nicht durch den eingebetteten Stahl verursacht wird, hören Sie auf zu bohren, um die Ursache und Lösung zu finden. **Achtung: Arbeiten Sie nicht während der Vibration, da dies zu einer ernsthaften Gefahr führen kann. Ein Diamantkernbohrer ist sicherlich anfällig für Beschädigungen.**

Maschinenvibrationen und Vibrationen werden normalerweise verursacht durch:

1. Der Bohrer ist schief, nicht zentrisch
Lösung: Ersetzen Sie den Bohrer.
2. Die Übung hat nicht alle Segmente
Lösung: Reparieren oder ersetzen Sie den Bohrer.

8. EINSCHALTEN DER MASCHINE

Das Gerät ist mit einem Fehlerstromschutzschalter ausgestattet, der am Netzkabel am Stecker montiert ist. Es verfügt über zwei Tasten und eine Signalleuchte. Leuchtet die Warnleuchte rot, ist das Gerät betriebsbereit. Nach einem Stromausfall oder Kurzschluss im System löst die Sicherung aus und unterbricht die Spannungsversorgung - die Kontrollleuchte leuchtet nicht mehr auf. Um die Maschine wieder einsatzbereit zu machen, drücken Sie die Taste "RESET". Wenn die Warnleuchte immer noch nicht

aufleuchtet, liegt keine Stromversorgung im Stromnetz an oder es liegt ein Kurzschluss im System vor. Die Taste "TEST" wird verwendet, um die Spannung zu trennen.

9. KONTROLLTÄTIGKEITEN

Hinweis: Führen Sie den Inspektionsvorgang mit gezogenem Stecker aus der Steckdose durch.

Überprüfen Sie vor dem Starten des Bohrgeräts den Zustand des Arbeitsgeräts. **Jeder Verlust, Riss oder Abplatzen eines Diamantkernbohrsegments disqualifiziert das Werkzeug.** In einem solchen Fall sollten neue, fehlerfreie installiert werden.

Das Gerät sollte sorgfältig gepflegt werden. Prüfen Sie, ob die beweglichen Teile der Maschine ordnungsgemäß funktionieren und nicht blockiert sind oder ob die Teile nicht gerissen oder beschädigt sind, was die ordnungsgemäße Funktion der Maschine beeinträchtigen könnte. Beschädigte Teile müssen repariert werden, bevor das Gerät verwendet werden kann. Viele Unfälle werden durch unsachgemäße Wartung von Elektrowerkzeugen verursacht.

Bitte beachten Sie, dass die Schnittrückstände von keramischen Werkstoffen korrosiv sind. Lassen Sie die Maschine nicht ungereinigt, wenn der Vorgang beendet ist. Dies kann zu Korrosion einzelner Komponenten der Bohranlage führen.

Blasen Sie im Leerlauf alle 50 Betriebsstunden Druckluft durch den Motor, um angesammelten Staub zu entfernen.

Überprüfen Sie immer das Netzkabel auf Beschädigungen, prüfen Sie es auf lose Befestigungselemente und achten Sie während des Betriebs immer auf ungewöhnliche Geräusche und Vibrationen.

10. KOHLEBÜRSTEN

Kohlebürsten sind ein normales Verschleißteil und müssen ausgetauscht werden, wenn sie die Verschleißgrenze erreichen. Die Maschine ist mit Kohlebürsten ausgestattet. Wenn die Maschine unerwartet stoppt, überprüfen Sie die Bürsten.

Hinweis: Bürsten immer paarweise austauschen

So ersetzen Sie die Pinsel:

- Entfernen Sie einfach die Bürstenkappen und entfernen Sie die alten Pinsel.
- Achten Sie beim Ersetzen von Bürsten durch neue Bürsten (ersetzen Sie sie immer paarweise), dass sie richtig sitzen.

WARNUNG: Alle Reparaturen müssen an ein autorisiertes Servicecenter weitergeleitet werden. Unsachgemäß durchgeführte Reparaturen können zu Verletzungen oder zum Tod führen.

11. VERWENDUNG

TROCKENBOHREN

Trockenbohren unterscheidet sich vom Nassbohren. Schieben Sie beim Trockenbohren nicht zu sehr auf das Bohrgerät. Sie sollten das Tool in seinem eigenen Tempo arbeiten lassen. Trockenbohren wird normalerweise in weicheren Materialien durchgeführt. Die Maschine kann mit speziellen Diamantbohrern auch trocken in Stahlbeton bohren.

TROCKENBOHREN IN STAHLBETON

Dies erfordert den Einsatz spezieller Diamantbohrkronen, die für diesen Zweck entwickelt wurden. Eine effektive Staubabsaugung ist dabei unerlässlich. Verwenden Sie die Mikroaufprallfunktion. Verwenden Sie immer einen Bohrständler für Durchmesser über 80 mm.

1. Für Trockenbohren einfach den Wasseranschluss abziehen und das Wasserventil zudreuen. Schrauben Sie den Absaugadapter mit Hilfe eines geeigneten Schraubenschlüssels auf die Spindel.



2. Auf dem Foto sehen wir die Staubabsaugadapter, die an der Spindel montiert sind.



3. Trennen Sie den Wasseranschluss von der Quelle und schließen Sie das Wasserventil.
4. Schließen Sie den Staubsauger an und legen Sie los.

SCHALTER

Die Maschine verfügt über einen Auslöseschalter. Um den Betrieb zu starten, drücken Sie den Auslöser, um den Motor zu starten. Um den Schalter zu verriegeln, drücken Sie die Sperrtaste, wodurch der Schalter in der Position "ON" verriegelt wird.

Um die Abzugssperre zu lösen, drücken Sie sie leicht und lassen Sie die Abzugssperre los. Der Schalter kehrt in die Position "OFF" zurück.

WARNUNG: Verriegeln Sie niemals den Auslöseschalter, während Sie von Hand bohren. Verriegeln Sie den Schalter, nachdem Sie das Bohrgerät auf dem Stativ montiert haben.

SICHERHEITSKUPPLUNG

Die Maschine ist mit einer mechanischen Kupplung ausgestattet, die die Maschine vor Überlastung der Spindel schützt. Nachdem die Kupplung wiederholt zum Rutschen gezwungen wurde, verschleißt sie und beginnt bei immer niedrigeren Drehmomentstufen zu rutschen. In diesem Fall empfehlen wir Ihnen, Ihre Maschine warten zu lassen.

12. Kompatibilität

Das Bohrgerät ist kompatibel mit dem WT45S-Stativ und dem WABROTECH 11L Hydronet. Um das Bohrgerät auf einem Ständer zu montieren, verwenden Sie eine 62-mm-Klemme



13. FEHLERBEHEBUNG

Problem	Verursachen	Lösung
Bohrgerät funktioniert nicht	Das Netzkabel ist schlecht angeschlossen oder beschädigt	Schieben Sie den Stecker tiefer in die Steckdose Überprüfen Sie das Netzkabel
	Es liegt keine Netzspannung an der Steckdose an	Prüfen Sie die Spannung an der Steckdose oder ob die Sicherung ausgelöst hat
	Verschlossene Motorbürsten	Ersetzen Sie die Bürsten durch neue
	Defekter Schalter	Ersetzen Sie den Schalter durch einen neuen
	Defekter Fehlerstromschutzschalter PRCD	Fehlerstromschalter austauschen
	Schwingung	Überprüfen Sie den Zustand des Bohrers oder der Spindel.

DÉFINITIONS DES PICTOGRAMMES UTILISÉS DANS LA NOTICE :



LIRE LE MANUEL



UTILISEZ DES MASQUES ANTI-POUSSIÈRE



UTILISEZ UNE PROTECTION OCULAIRE



PORTEZ DES GANTS DE PROTECTION



REMARQUE! UTILISER LA MISE À LA TERRE



Avertissement de choc électrique



Avertissement sur les pièces mobiles



Entreposer séparément et éliminer selon les normes environnementales



Avertissement de risque d'explosion



Veillez respecter les instructions marquées de ce symbole dans le texte !

1. CONSEILS DE SÉCURITÉ



Consignes générales de sécurité pour les outils électriques

Vous devriez lire tous les conseils et recettes. Le non-respect des directives suivantes peut entraîner un choc électrique, un incendie et/ou des blessures graves. Conservez soigneusement toutes les recettes et consignes de sécurité pour une utilisation ultérieure. Le terme « outil électrique » utilisé ci-dessous fait référence aux outils électriques alimentés par secteur (avec cordon d'alimentation) et aux outils électriques alimentés par batterie (sans cordon d'alimentation).

1. Sécurité au travail

- A. Gardez votre espace de travail propre et bien éclairé. Un lieu de travail bien rangé ou non éclairé peut entraîner des accidents.
- B. N'utilisez pas cet outil électrique dans des environnements potentiellement explosifs, tels que ceux contenant des liquides, des gaz ou de la poussière inflammables. Lorsque l'outil électrique est en marche, des étincelles sont générées qui peuvent provoquer une inflammation.
- C. Lorsque vous utilisez l'appareil, assurez-vous que les enfants et les autres passants gardent une distance de sécurité. La distraction peut vous faire perdre le contrôle de l'outil.

2. Sécurité électrique

- A. La fiche de l'outil électrique doit correspondre à la prise. Ne modifiez en aucun cas le connecteur. Les fiches de l'adaptateur ne doivent pas être utilisées pour les outils électriques

avec mise à la terre de protection. Des fiches inchangées et des prises correspondantes réduisent le risque de choc électrique.

- B. Le contact avec des surfaces mises à la terre telles que des tuyaux, des radiateurs, des cuisinières et des réfrigérateurs doit être évité. Le risque de choc électrique est plus élevé si le corps de l'utilisateur est mis à la terre.
- C. L'appareil doit être protégé de la pluie et de l'humidité. L'eau pénétrant dans l'outil électrique augmente le risque de choc électrique.
- D. N'utilisez jamais le câble pour d'autres activités. Ne transportez jamais l'outil électrique par le cordon et ne suspendez jamais l'outil avec le cordon. Il est également interdit de débrancher la fiche de la prise en tirant sur le câble. Le câble doit être protégé des températures élevées, à l'écart de l'huile, des arêtes vives ou des pièces mobiles de l'appareil. Les fils endommagés ou emmêlés augmentent le risque de choc électrique.
- E. Lorsque vous utilisez l'outil électrique à l'extérieur, utilisez une rallonge également adaptée à une utilisation en extérieur. L'utilisation d'une rallonge appropriée (adaptée à une utilisation en extérieur) réduit le risque de choc électrique.
- F. Si l'outil électrique ne peut être évité dans un environnement humide, utilisez un disjoncteur différentiel. L'utilisation d'un disjoncteur à courant résiduel réduit le risque de choc électrique.

3. Sécurité personnelle

- A. Lorsque vous travaillez avec un outil électrique, soyez prudent et effectuez chaque opération avec soin et prudence. N'utilisez pas l'outil électrique si vous êtes fatigué ou sous l'influence de drogues, d'alcool ou de médicaments. Un moment de négligence avec un outil électrique peut entraîner des blessures graves.
- B. L'équipement de protection individuelle et les lunettes de protection doivent être portés en tout temps. Le port d'un équipement de protection individuelle – masque anti-poussière, chaussures à semelles antidérapantes, casque de sécurité ou protection auditive (selon le type et l'utilisation de l'outil électrique) – réduit le risque de blessure.
- C. Le démarrage involontaire de l'outil doit être évité. Avant de brancher la fiche sur la prise de courant et/ou de la connecter à la batterie, ainsi que avant de soulever ou de transporter l'outil électrique, assurez-vous que l'outil électrique est éteint. Maintenir votre doigt sur l'interrupteur tout en déplaçant l'outil électrique ou en connectant l'outil peut entraîner un accident.
- D. Avant d'utiliser l'outil électrique, retirez les outils de réglage ou les clés. Un outil ou une clé dans les pièces mobiles de l'appareil peut causer des blessures.
- E. Les positions de travail non naturelles doivent être évitées. Il est important de maintenir une position de travail et un équilibre stables. Cela vous permet de mieux contrôler l'outil électrique dans des situations imprévues.
- F. Des vêtements appropriés doivent être portés. Les vêtements amples ou les bijoux ne doivent pas être portés. Gardez les cheveux, les vêtements et les gants à l'écart des pièces mobiles. Les vêtements amples, les bijoux ou les cheveux longs peuvent se coincer dans les pièces mobiles.
- G. S'il est possible d'installer un équipement d'extraction et de collecte de poussière, assurez-vous qu'il est connecté et utilisé correctement. L'utilisation d'un système d'aspiration des poussières peut réduire les risques de poussière.

4. Fonctionnement correct et fonctionnement des outils électriques

- A. Ne surchargez pas l'appareil. Utilisez des outils électriques conçus à cet effet. Avec le bon outil électrique, vous pouvez travailler mieux et en toute sécurité dans une certaine plage de puissance.

- B. N'utilisez pas d'outil électrique dont l'interrupteur marche/arrêt est endommagé. Un outil électrique qui ne peut pas être allumé ou éteint est dangereux et doit être réparé.
- C. Avant de régler l'outil, de changer d'accessoire ou d'arrêter l'outil, débranchez et/ou retirez la batterie. Cette précaution empêche l'outil électrique d'être allumé par inadvertance.
- D. Gardez les outils électriques hors de portée des enfants lorsqu'ils ne sont pas utilisés. Ne partagez pas l'outil avec des personnes qui ne le connaissent pas ou qui n'ont pas lu ces règles. Les outils électriques utilisés par des personnes inexpérimentées sont dangereux.
- E. Un entretien approprié de l'outil électrique est nécessaire. Vérifiez que les pièces mobiles de l'appareil fonctionnent correctement et ne sont pas bloquées, que les pièces ne sont pas fissurées ou endommagées qui pourraient interférer avec le bon fonctionnement de l'outil électrique. Les pièces endommagées doivent être réparées avant de pouvoir utiliser l'appareil. De nombreux accidents sont causés par un mauvais entretien des outils électriques.
- F. Les outils électriques, les accessoires, les outils auxiliaires, etc. doivent être utilisés conformément à ces recommandations. Les conditions et la nature des travaux effectués doivent être prises en compte. Une mauvaise utilisation de l'outil électrique peut entraîner des situations dangereuses.

5. Service

- A. Faites réparer l'outil électrique uniquement par un professionnel qualifié et avec des pièces de rechange d'origine. Cela garantit que la sécurité de l'appareil est maintenue.



Conseils de santé et de sécurité au travail pour les perceuses à main électriques

- La machine est équipée de niveaux à bulle pour faciliter le réglage de l'outil. Utilisez un niveau à bulle pour positionner la machine horizontalement.
- Cette machine est conçue pour le forage au diamant dans le béton, la maçonnerie, la pierre et les matériaux similaires.
- L'appareil peut être monté sur un trépied WT45S avec une pince de 62 mm.
- Tous les autres abus sont interdits.
- L'appareil est équipé d'une boîte de vitesses à deux rapports.
- Tous les modèles sont équipés d'un accouplement mécanique de sécurité.
- Tous les modèles sont équipés d'une électronique de démarrage progressif, de protection contre les surcharges et de protection thermique.
- La tension doit être la même que la tension indiquée sur la plaque signalétique de l'outil. L'outil ne doit en aucun cas être utilisé si le cordon d'alimentation est endommagé. Un câble endommagé doit être remplacé immédiatement par un centre de service. N'essayez pas de réparer vous-même un câble endommagé. L'utilisation de câbles d'alimentation endommagés peut entraîner des chocs électriques
- Ne travaillez pas avec une perceuse émoussée ou endommagée.
- Il est interdit d'utiliser des forets diamantés qui ne répondent pas aux paramètres techniques spécifiés dans le manuel d'instructions.
- N'utilisez pas la machine à proximité de récipients contenant des liquides ou des gaz inflammables.
- Nous vous recommandons d'utiliser un foret d'un diamètre maximum de 80 mm lorsque vous percez à la main.

RISQUE D'INCENDIE ET D'EXPLOSION



Les vapeurs inflammables provenant des solvants et des peintures dans la zone de travail peuvent s'enflammer ou exploser. Pour prévenir un incendie ou une explosion :



1. Ne travaillez pas à proximité de matériaux inflammables et inflammables à proximité de flammes nues ou de sources d'inflammation, telles que des cigarettes, des moteurs externes et d'autres équipements électriques.
2. L'électricité statique présente un risque d'incendie ou d'explosion en présence de vapeurs de peinture ou de solvant.
3. Vérifiez que tous les bacs et systèmes de collecte sont mis à la terre pour éviter les décharges statiques. N'utilisez pas les doublures de godet si elles n'ont pas de propriétés antistatiques ou conductrices.
4. Assurez-vous qu'il y a suffisamment de circulation d'air frais dans cette pièce.
5. Ne fumez pas dans la zone de travail.
6. N'utilisez pas d'interrupteurs, de moteurs ou de produits similaires qui génèrent des étincelles dans la zone de travail.
7. Gardez la zone propre. Il ne doit pas contenir de matériaux inflammables.
8. Familiarisez-vous avec toutes les fiches de données de sécurité (FDS) et les étiquettes sur les contenants.
9. Du matériel de lutte contre l'incendie fonctionnel doit être disponible sur place.
10. L'appareil génère des étincelles. Si un liquide inflammable est utilisé dans ou à proximité de l'appareil, maintenez l'appareil à au moins 6 m des vapeurs explosives.



SÉCURITÉ ÉLECTRIQUE



1. Les fiches des outils électriques doivent correspondre aux prises. Il est interdit de modifier le plugin de quelque manière que ce soit. Ne connectez pas les adaptateurs à des outils électriques mis à la terre. L'utilisation de fiches et de prises inchangées réduit les risques de choc électrique.
2. Les outils mis à la terre doivent être branchés sur une prise correctement installée et mise à la terre conformément à tous les codes et réglementations. Il est interdit de retirer la fiche de terre ou de modifier la fiche de quelque manière que ce soit. N'utilisez pas d'adaptateurs de prise. Si vous avez des doutes quant à savoir si une prise est correctement mise à la terre, consultez un électricien qualifié. Lorsque les outils électriques cessent de fonctionner ou tombent en panne, la terre fournit un moyen à faible résistance de détourner l'énergie de l'utilisateur.
3. Évitez tout contact physique avec des surfaces mises à la terre telles que des tuyaux, des radiateurs, des réfrigérateurs. Si le corps de l'utilisateur est mis à la terre, les risques d'électrocution augmentent.
4. N'exposez pas les outils électriques à la pluie ou à l'humidité. L'eau pénétrant dans l'outil électrique augmente le risque de choc électrique.
5. Utilisez les câbles comme prévu. N'utilisez jamais le câblage pour transporter, tirer ou débrancher l'outil électrique de la prise. Gardez le câble à l'écart de la chaleur, de l'huile, des arêtes vives et

des pièces mobiles. Remplacez immédiatement les câbles endommagés. Les câbles endommagés ou emmêlés augmentent le risque de choc électrique.

6. Si vous utilisez l'outil électrique à l'extérieur, utilisez des rallonges adaptées à une utilisation en extérieur. L'utilisation de câbles adaptés à une utilisation en extérieur réduit les risques de choc électrique



DANGER DES PIÈCES MOBILES

Les pièces mobiles peuvent pincer, couper ou couper les doigts et d'autres parties du corps.



1. Éloignez-vous des pièces mobiles.
2. N'utilisez pas l'appareil sans protections et couvercles de protection.
3. Les appareils en direct peuvent démarrer sans avertissement. Avant d'inspecter, de déplacer ou d'entretenir l'appareil, débranchez toutes les sources d'alimentation.

DANGER ASSOCIÉ À UNE MAUVAISE UTILISATION DE L'APPAREIL

Une mauvaise utilisation de l'équipement peut entraîner la mort ou une invalidité.



1. Utilisez toujours des gants appropriés, des lunettes de protection et un respirateur ou un masque lorsque vous travaillez.
2. N'utilisez pas l'appareil et ne travaillez pas à proximité d'enfants. Éloignez les enfants de l'appareil.
3. Ne dépassez pas la plage normale et ne placez pas l'appareil sur un sol instable. Une bonne posture et un bon équilibre doivent être maintenus.
4. Vous devez rester concentré et vous concentrer sur l'activité à accomplir.
5. Ne laissez pas l'appareil sans surveillance lorsqu'il est connecté. Lorsque l'appareil n'est pas utilisé, éteignez-le et effectuez le processus de décompression.
6. N'utilisez pas l'appareil si vous êtes fatigué ou sous l'influence de substances intoxicantes ou d'alcool.
7. Ne pliez pas le tuyau ou ne le pliez pas excessivement.
8. N'exposez pas le câble à des températures ou des tensions supérieures aux valeurs recommandées par WABROTECH
9. N'utilisez pas le câble pour déplacer ou soulever des équipements.

ÉQUIPEMENT DE PROTECTION INDIVIDUELLE (EPI)



Portez un équipement de protection approprié dans la zone de travail pour éviter les blessures graves telles que les blessures aux yeux, la perte auditive, les vapeurs toxiques et les brûlures.



Ces mesures comprennent, sans s'y limiter : des lunettes de protection, des respirateurs, des vêtements et des gants de protection selon les recommandations du fabricant, ainsi que des solvants.



Lorsque vous utilisez des outils électriques, vous devez être vigilant, prudent dans ce que vous faites et faire preuve de bon sens. N'utilisez pas d'outils électriques si vous êtes fatigué ou sous l'influence de drogues, d'alcool ou de médicaments. Un moment de distraction lors de l'utilisation d'outils électriques peut entraîner des blessures graves.

1. Utilisez un équipement de sécurité. Portez toujours des lunettes de sécurité. Les mesures de sécurité telles qu'un masque anti-poussière, des chaussures antidérapantes, un casque ou une protection auditive réduisent les blessures lorsqu'elles sont utilisées correctement.
2. Évitez les changements accidentels. Assurez-vous que l'interrupteur est en position OFF avant de connecter l'appareil. Si vous placez votre doigt sur l'interrupteur en vous déplaçant ou si vous connectez des appareils avec l'interrupteur en position ON, le risque d'accident augmente.
3. Retirez la clé de réglage avant d'allumer l'appareil. Une clé fixée à une partie rotative de l'outil peut causer des blessures.
4. Ne vous surmenez pas. Maintenez une position stable pendant le fonctionnement. Cela garantit un meilleur contrôle de l'outil électrique dans des situations inattendues.
5. Portez des vêtements appropriés. Ne portez pas de vêtements amples ou de bijoux. Gardez les cheveux, les vêtements et les gants à l'écart des pièces mobiles. Les vêtements amples, les bijoux ou les cheveux longs peuvent se coincer dans les pièces mobiles.
6. Si un équipement d'extraction et de collecte de poussière a été fourni, assurez-vous qu'il est correctement connecté et utilisé. L'utilisation de ces appareils peut réduire les risques liés à la poussière.

CONNEXION À L'ALIMENTATION ÉLECTRIQUE

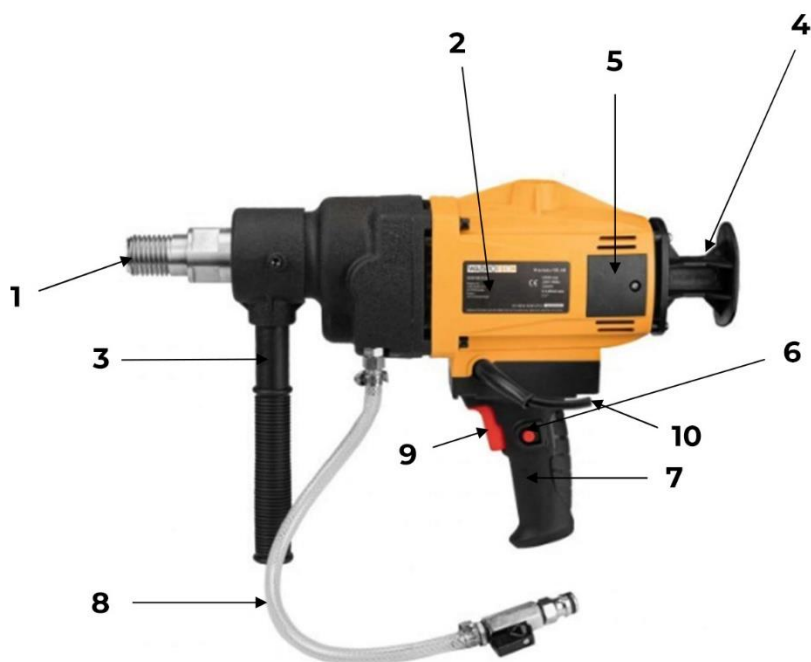


Le vol secteur doit être le même que le vol indiqué sur la plaque signalétique de l'appareil. L'outil ne doit en aucun cas être utilisé si le cordon d'alimentation est endommagé. Un câble endommagé doit être remplacé immédiatement par un centre de service agréé. N'essayez pas de réparer vous-même le câble endommagé. L'utilisation de câbles d'alimentation endommagés peut entraîner un choc électrique.

IMPORTANT : Utilisez uniquement une rallonge à trois fils avec une fiche de mise à la terre à deux broches et un trou et une prise dans lesquels la fiche de l'appareil peut être insérée avec deux trous et une broche. Assurez-vous que la rallonge est en bon état. Lorsque vous utilisez une rallonge, assurez-vous qu'elle est suffisamment puissante pour transporter le courant que l'appareil peut consommer. Un câble dont les paramètres sont trop faibles entraînera une chute de la tension secteur, entraînant une perte de puissance et une surchauffe. Il est recommandé d'utiliser un câble de 3 × 1,5 mm. Si la rallonge doit être utilisée à l'extérieur, elle doit être marquée W-A après avoir spécifié le type de câble. Par exemple, la désignation SJTW-A indiquerait que le câble convient à une utilisation en extérieur.

2. CONSTRUCTION WT202

WT202



1	Broche	Elle possède un filetage interne de 1/2" et un filetage externe de 1 1/4".
2	Plaque signalétique	Informations sur les paramètres de la machine.
3	Poignée avant	Une poignée en plastique qui aide à stabiliser la machine.
4	Poignée pistolet	En soutenant le bras sur la poignée, nous assistons dans le travail avec la machine.
5	Moteur/protection des balais	Puissance du moteur 1500W/Les balais sont situés derrière le volet.
6	Verrouillage de l'interrupteur marche/arrêt	En appuyant sur le verrou, nous bloquons l'interrupteur marche/arrêt et bloquons la vitesse à la valeur maximale.
7	Poignée avec interrupteur de déclenchement	Une poignée en plastique qui aide à stabiliser la machine.
8	Raccordement d'eau	Un tuyau en plastique terminé par un connecteur.
9	Interrupteur marche/arrêt	Interrupteur électrique de la machine.
10	Câble d'alimentation avec fiche	Fiche électrique UE.

3. CARACTÉRISTIQUES

Modèle de moteur / puissance	WT202/2300 W
Tension/Fréquence/Fusible	230V/50Hz/20C (Vérifiez la plaque signalétique de la machine)
Plage de diamètres de perçage	22mm - 168mm (pierre dure, béton armé) / 22mm-202mm
Vitesse de rotation maximale	1400 tr/min
Fixation du foret	Filetage mâle : 1 ^{1/4} » - Filetage femelle : 1/2»
Le PRCD	OUI
Embrayage	Mécanique
Contrôle de la vitesse	No
Poids net/brut	6,5/8 kg

4. OBJECTIF DE LA FOREUSE À BÉTON

Les foreuses manuelles sont des équipements obligatoires pour les professionnels impliqués dans des activités de construction, de rénovation, de construction ou d'installation. Ils conviennent également à un usage privé. Par conséquent, lors de la préparation de notre offre, nous avons pris en compte les avis de spécialistes expérimentés qui recherchaient des solutions éprouvées et universelles pour le perçage dans des matériaux tels que l'asphalte, le béton armé, la brique, le béton ou la pierre naturelle.

Les foreuses manuelles WABROTECH se caractérisent par une ergonomie de travail maximale, assurée par des matériaux de construction légers et solides, combinés à une efficacité de forage maximale. L'utilisation des meilleurs roulements de machine et d'enroulements en cuivre à cent pour cent permet un travail confortable et précis dans toutes les conditions, économisant autant que possible les forets. La machine permet de percer avec des carottes diamantées dans la plage de diamètres de 22 mm à 202 mm / pour le béton armé et la pierre dure jusqu'à 168 mm seulement. Le raccordement intégré au réseau d'alimentation en eau permet la création d'ouvertures humides et sèches.

5. CAROTTAGE AU DIAMANT

1. Placez le foret diamanté sur le mandrin (broche) et serrez-le avec des clés à fourche.

REMARQUE : Assurez-vous que les filetages de la broche et du carottage correspondent. Tenter d'installer des composants dépareillés endommagera la broche et la perceuse.

Assurez-vous que le foret et la broche de la machine sont propres. La saleté peut entraîner une concentricité excessive des forets montés. Un faux-rond excessif peut entraîner une défaillance prématurée de la carotteuse et/ou des risques pour la sécurité.

2. Commencez à percer très soigneusement. Si vous le tenez à la main, commencez à percer à un angle de 30 degrés par rapport à la surface de perçage. (Un gros morceau de bois avec une grande encoche en « V » empêche le foret de glisser au début du perçage.) Après avoir percé environ un tiers de l'arc, alignez le foret à l'angle perpendiculaire correct, en maintenant une pression suffisante sur le foret pour l'empêcher de glisser sur la surface.
3. Lorsque vous avez terminé de percer, appliquez une pression constante.
4. Lors de la percée, tenez la machine de l'autre côté et réduisez la pression.

AVERTISSEMENT : Gardez toujours votre visage éloigné de la machine.

Les segments de matrice imprégnés dans le carottage au diamant fonctionnent selon le principe de l'érosion contrôlée. La matrice de liaison diamant est constamment usée par l'abrasion avec la pièce, exposant l'émoussé.

Voir ci-dessous « AFFÛTAGE D'UNE PERCEUSE ÉMOUSSÉE »

Ne faites jamais de mouvements brusques, sinon la perceuse sera endommagée. À l'inverse, ne percez pas trop soigneusement, car les segments diamantés ont besoin d'un frottement pour être constamment affûtés. Laissez la perceuse fonctionner en continu.

Lorsque vous le tenez à la main, veillez à ce que le foret s'insère dans le trou. Si le foret est tordu, il peut se coincer facilement.

Remarque : Si la perceuse se coince, n'essayez pas de la balancer en éteignant et en rallumant la machine. Ceci est dangereux et peut endommager le moteur. Au lieu de cela, débranchez la machine et desserrez le support avec une clé.

Remarque : Les opérations de forage mettent beaucoup de pression sur le moteur et à la fin du forage, la température du moteur est très élevée. Faites toujours tourner le moteur pendant quelques minutes à vide jusqu'à ce que la température revienne à la normale.

Éteignez l'interrupteur et laissez la perceuse s'arrêter avant de la remplacer.

6. AFFÛTAGE D'UN FORET ÉMOUSSÉ

Si le foret devient émoussé, vous pouvez idéalement le réaffûter en le recouvrant d'un oxyde d'aluminium ou de carbure de silicium approprié. Percez simplement dans le matériau à affûter pendant le temps qu'il faut pour ramener la perceuse à un état qui lui permet de revenir à un état d'efficacité de forage.

7. DÉPANNAGE DES VIBRATIONS

Si des vibrations ne sont pas causées par l'acier encastré, arrêtez de percer pour trouver la cause et la solution. **Attention :** Ne travaillez pas pendant les vibrations, car cela peut entraîner un grave danger. Un trépan diamanté est certainement sujet aux dommages.

Les vibrations et les vibrations de la machine sont généralement causées par :

1. Le foret est tordu, pas centré
Solution : Remplacez la perceuse.
2. L'exercice ne comporte pas tous les segments
Solution : Réparez ou remplacez le foret.

8. MISE EN MARCHÉ DE LA MACHINE

L'appareil est équipé d'un disjoncteur différentiel qui est monté sur le cordon d'alimentation de la fiche. Il dispose de deux boutons et d'un feu de signalisation. Si le voyant est rouge, l'appareil est prêt à fonctionner. Après une panne de courant ou un court-circuit dans le système, le fusible se déclenche et coupe l'alimentation électrique - le voyant ne s'allume plus. Pour que la machine soit à nouveau prête à l'emploi, appuyez sur le bouton « RESET ». Si le voyant ne s'allume toujours pas, il n'y a pas d'alimentation électrique dans le secteur ou il y a un court-circuit dans le système. Le bouton « TEST » est utilisé pour déconnecter la tension.

9. ACTIVITÉS DE CONTRÔLE

Remarque : Effectuez le processus d'inspection avec la fiche débranchée de la prise de courant.

Avant de démarrer l'engin de forage, vérifiez l'état de l'engin de travail. **Toute perte, fissure ou écaillage d'un segment de carotte au diamant disqualifie l'outil.** Dans ce cas, de nouveaux sans erreur doivent être installés.

L'appareil doit être soigneusement entretenu. Vérifiez que les pièces mobiles de la machine fonctionnent correctement et ne sont pas bloquées, ou que les pièces ne sont pas fissurées ou endommagées, ce qui pourrait affecter le bon fonctionnement de la machine. Les pièces endommagées doivent être réparées avant de pouvoir utiliser l'appareil. De nombreux accidents sont causés par un mauvais entretien des outils électriques.

Veillez noter que les résidus de coupe des matériaux céramiques sont corrosifs. Ne laissez pas la machine non nettoyée lorsque le processus est terminé. Cela peut entraîner la corrosion de composants individuels de l'appareil de forage.

Au ralenti, soufflez de l'air comprimé dans le moteur toutes les 50 heures de fonctionnement pour éliminer la poussière accumulée.

Vérifiez toujours que le cordon d'alimentation n'est pas endommagé, vérifiez que les fixations ne sont pas desserrées et soyez toujours conscient des bruits et vibrations inhabituels pendant le fonctionnement.

10. BALAIS DE CHARBON

Les balais de charbon sont une pièce d'usure normale et doivent être remplacés lorsqu'ils atteignent la limite d'usure. La machine est équipée de balais de charbon. Si la machine s'arrête de manière inattendue, vérifiez les brosses.

Remarque : Remplacez toujours les brosses par paires

Pour remplacer les brosses :

- Il suffit de retirer les capuchons de brosse et de retirer les anciennes brosses.
- Lorsque vous remplacez les brosses par de nouvelles brosses (remplacez-les toujours par paires), assurez-vous qu'elles sont bien ajustées.

AVERTISSEMENT : Toutes les réparations doivent être transmises à un centre de service agréé. Des réparations mal effectuées peuvent entraîner des blessures ou la mort.

11. UTILISATION

PERÇAGE À SEC

Le forage à sec est différent du forage humide. Lors du forage à sec, ne poussez pas trop sur l'engin de forage. Vous devez laisser l'outil fonctionner à son propre rythme. Le forage à sec est généralement effectué dans des matériaux plus tendres. La machine peut également percer à sec dans le béton armé avec des forets diamantés spéciaux.

PERÇAGE À SEC DANS LE BÉTON ARMÉ

Cela nécessite l'utilisation de forets diamantés spéciaux conçus à cet effet. Une aspiration efficace des poussières est essentielle. Utilisez la fonction micro-impact. Utilisez toujours un support de perçage pour les diamètres supérieurs à 80 mm.

1. Pour le forage à sec, il suffit de débrancher le raccord d'eau et de fermer la vanne d'eau. Vissez l'adaptateur d'aspiration sur la broche à l'aide d'une clé appropriée.



2. Sur la photo, nous pouvons voir les adaptateurs d'extraction de poussière montés sur la broche.



3. Débranchez le raccordement d'eau de la source et fermez le robinet d'eau.
4. Branchez l'aspirateur et lancez-vous.

INTERRUPTEUR

La machine est équipée d'un interrupteur à gâchette. Pour démarrer le fonctionnement, appuyez sur le déclencheur pour démarrer le moteur. Pour verrouiller l'interrupteur, appuyez sur le bouton de verrouillage, qui verrouille l'interrupteur en position « ON ».

Pour libérer le verrou de la gâchette, appuyez légèrement dessus et relâchez le verrou de la gâchette. L'interrupteur revient à la position « OFF ».

AVERTISSEMENT : Ne verrouillez jamais la gâchette pendant le perçage à la main. Verrouillez l'interrupteur après avoir monté l'engin de forage sur le trépied.

EMBAYAGE DE SÉCURITÉ

La machine est équipée d'un accouplement mécanique qui protège la machine de la surcharge de la broche. Après avoir forcé à plusieurs reprises l'embrayage à patiner, il s'use et commence à glisser à des niveaux de couple de plus en plus bas. Dans ce cas, nous vous recommandons de faire réparer votre machine.

12. Compatibilité

L'engin de forage est compatible avec le trépied WT45S et l'hydronet WABROTECH 11L. Pour monter l'engin de forage sur un support, utilisez une pince de 62 mm



13. DÉPANNAGE

Problème	Cause	Solution
La foreuse ne fonctionne pas	Le câble d'alimentation est mal branché ou endommagé	Enfoncez la fiche plus profondément dans la prise
		Vérifiez le câble d'alimentation
	Il n'y a pas de tension secteur au niveau de la prise	Vérifiez la tension à la prise ou si le fusible s'est déclenché
	Balais de moteur usés	Remplacez les brosses par des neuves
	Interrupteur défectueux	Remplacez l'interrupteur par un neuf
	Dispositif à courant résiduel défectueux PRCD	Remplacez l'interrupteur de courant résiduel
Vibration		Vérifiez l'état de la perceuse ou de la broche.

DEFINICE PIKTOGRAMŮ POUŽITÝCH V NÁVODU:



PŘEČTĚTE SI PŘÍRUČKU



POUŽÍVEJTE PROTIPRACHOVÉ
MASKY



POUŽÍVEJTE OCHRANU OČÍ



POUŽÍVEJTE OCHRANNÉ
RUKAVICE



POZNÁMKA! POUŽIJTE
UZEMNĚNÍ



Varování před úrazem elektrickým
proudem



Upozornění na pohyblivé části



Skladujte odděleně a likvidujte v
souladu s ekologickými normami



Varování před nebezpečím
výbuchu



Dodržujte prosím pokyny označené
tímto symbolem v textu!

1. BEZPEČNOSTNÍ TIPY



Všeobecné bezpečnostní pokyny pro elektrické nářadí

Měli byste si přečíst všechny tipy a recepty. Nedodržení níže uvedených pokynů může vést k úrazu elektrickým proudem, požáru a/nebo vážnému zranění osob. Všechny recepty a bezpečnostní pokyny pečlivě uschovejte pro další použití. Pojem "elektrické nářadí" použitý v následujícím textu se vztahuje na elektrické nářadí napájené ze sítě (s napájecím kabelem) a akumulátorové elektrické nářadí (bez napájecího kabelu).

1. Bezpečnost na pracovišti

- A. Udržujte svou pracovní stanici čistou a dobře osvětlenou. Uklizené pracoviště nebo neosvětlený pracovní prostor mohou způsobit nehody.
- B. Nepracujte s tímto elektrickým nářadím v prostředí s nebezpečím výbuchu, například v prostředí s hořlavými kapalinami, plyny nebo prachem. Při práci s elektrickým nářadím vznikají jiskry, které mohou způsobit vznícení.
- C. Při používání spotřebiče dbejte na to, aby se děti a ostatní kolemjdoucí drželi v bezpečné vzdálenosti. Rozptýlení může způsobit ztrátu kontroly nad nástrojem.

2. Elektrická bezpečnost

- A. Zástrčka elektrického nářadí musí odpovídat zásuvce. Zástrčku žádným způsobem neupravujte. Adaptérové zástrčky se nesmí používat pro elektrické nářadí s ochranným uzemněním. Nezměněné zástrčky a odpovídající zásuvky snižují riziko úrazu elektrickým proudem.

- B. Je třeba se vyvarovat kontaktu s uzemněnými povrchy, jako jsou potrubí, radiátory, sporáky a chladničky. Riziko úrazu elektrickým proudem je větší, když je tělo uživatele uzemněno.
- C. Zařízení by mělo být chráněno před deštěm a vlhkostí. Vniknutí vody do elektrického nářadí zvyšuje riziko úrazu elektrickým proudem.
- D. Nikdy nepoužívejte kabel k jiným činnostem. Nikdy nepřenášejte elektrické nářadí za kabel ani nepoužívejte kabel k zavěšení spotřebiče; Je také zakázáno vytahovat zástrčku ze zásuvky taháním za kabel. Kabel by měl být chráněn před vysokými teplotami, chraňte jej před olejem, ostrými hranami nebo pohyblivými částmi zařízení. Poškozené nebo zamotané dráty zvyšují riziko úrazu elektrickým proudem.
- E. Při práci s elektrickým nářadím venku používejte prodlužovací kabel, který je vhodný i pro venkovní použití. Použití správného prodlužovacího kabelu (vhodného pro venkovní použití) snižuje riziko úrazu elektrickým proudem.
- F. Pokud se elektrickému nářadí ve vlhkém prostředí nelze vyhnout, použijte proudový chránič. Použití proudového chrániče snižuje riziko úrazu elektrickým proudem.

3. Osobní bezpečí

- A. Při práci s elektrickým nářadím buďte opatrní a každou operaci provádějte opatrně a opatrně. Elektrické nářadí nepoužívejte, jste-li unavení nebo pod vlivem drog, alkoholu nebo léků. Chvilka nepozornosti s elektrickým nářadím může způsobit vážné zranění.
- B. Vždy je nutné nosit osobní ochranné prostředky a ochranné brýle. Nošení osobních ochranných prostředků – protiprachové masky, obuvi s protiskluzovou podrážkou, ochranné přilby nebo ochrany sluchu (v závislosti na typu a použití elektrického nářadí) – snižuje riziko zranění.
- C. Je třeba zabránit neúmyslnému spuštění nástroje. Před zasunutím zástrčky do zásuvky a/nebo připojením k akumulátoru a před zvedáním nebo přenášením elektrického nářadí se ujistěte, že je elektrické nářadí vypnuté. Držení prstu na spínači při přemísťování elektrického nářadí nebo jeho zapínání může způsobit nehodu.
- D. Před použitím elektrického nářadí odstraňte seřizovací nástroje nebo klíče. Nástroj nebo klíč v pohyblivých částech spotřebiče může způsobit zranění.
- E. Je třeba se vyvarovat nepřírodných pracovních poloh. Je důležité udržovat stabilní pracovní polohu a rovnováhu. To vám umožní lépe ovládat elektrické nářadí v nepředvídaných situacích.
- F. Je nutné nosit vhodné oblečení. Volné oblečení nebo šperky by se neměly nosit. Udržujte vlasy, oděv a rukavice v dostatečné vzdálenosti od pohyblivých částí. Volné oblečení, šperky nebo dlouhé vlasy mohou být zachyceny pohyblivými částmi.
- G. Pokud je možné nainstalovat zařízení pro odsávání a sběr prachu, ujistěte se, že jsou připojena a budou správně používána. Použití zařízení pro odsávání prachu může snížit nebezpečí prachu.

4. Správná obsluha a provoz elektrického nářadí

- A. Nepřetěžujte zařízení. Používejte elektrické nářadí, které je k tomuto účelu určeno. Se správným elektrickým nářadím můžete pracovat lépe a bezpečněji v daném rozsahu výkonu.
- B. Nepoužívejte elektrické nářadí, jehož vypínač je poškozený. Elektrické nářadí, které nelze zapnout nebo vypnout, je nebezpečné a musí být opraveno.
- C. Před seřizováním nářadí, výměnou příslušenství nebo po zastavení nářadí odpojte a/nebo vyjměte baterii. Toto opatření zabraňuje neúmyslnému zapnutí elektrického nářadí.
- D. Pokud elektrické nářadí nepoužíváte, uchovávejte jej mimo dosah dětí. Nesdílejte nástroj s nikým, kdo s ním není obeznámen nebo kdo si nepřečetl tato pravidla. Elektrické nářadí používané nezkušenými osobami je nebezpečné.

- E. Správná údržba elektrického nářadí je nezbytná. Zkontrolujte, zda pohyblivé části spotřebiče fungují bezchybně a nejsou blokovány, zda nejsou prasklé nebo poškozené způsobem, který by ovlivnil správnou funkci elektrického nářadí. Poškozené díly musí být před použitím spotřebiče opraveny. Mnoho nehod je způsobeno nesprávnou údržbou elektrického nářadí.
- F. Elektrické nářadí, příslušenství, pomocné nářadí atd. musí být používány v souladu s těmito doporučeními. Je třeba vzít v úvahu podmínky a typ prováděné práce. Nesprávné použití elektrického nářadí může vést k nebezpečným situacím.

5. Služba

- A. Nechte elektrické nářadí opravit pouze kvalifikovaným odborníkem a s použitím originálních náhradních dílů. Tím je zajištěno, že bezpečnost zařízení zůstane zachována.



Tipy pro bezpečnost práce pro elektrické ruční vrtné soupravy

- Stroj je vybaven vodováhami, které pomáhají seřizování nástroje. Pomocí vodováhy umístíte stroj vodorovně.
- Tento stroj je určen pro diamantové vrtání do betonu, zdiva, kamene a podobných materiálů.
- Zařízení lze připevnit na stativ WT45S pomocí 62mm svorky.
- Jakékoli jiné zneužití je zakázáno.
- Zařízení je vybaveno dvoustupňovou převodovkou.
- Všechny modely jsou vybaveny mechanickou bezpečnostní spojkou.
- Všechny modely mají elektroniku pro měkký rozběh, ochranu proti přetížení a tepelnou ochranu.
- Voltage musí být v souladu s voltage uvedenou na typovém štítku nářadí. Za žádných okolností nepoužívejte nářadí, pokud je poškozen napájecí kabel. Poškozený kabel musí být okamžitě vyměněn v servisním středisku. Nepokoušejte se opravit poškozený kabel sami. Použití poškozených napájecích kabelů může vést k úrazu elektrickým proudem
- Nepracujte s tupým nebo poškozeným vrtákem.
- Je zakázáno používat diamantové bity, které neodpovídají technickým parametrům uvedeným v uživatelské příručce.
- Neprovozujte stroj v blízkosti nádob s hořlavými kapalinami nebo plyny.
- Při ručním vrtání doporučujeme použít vrták o maximálním průměru 80 mm.

NEBEZPEČÍ POŽÁRU A VÝBUCHU



Hořlavé výpary z rozpouštědel a barev v pracovním prostoru se mohou vznítit nebo explodovat. Abyste zabránili požáru nebo výbuchu:



1. Vyvarujte se práce v blízkosti hořlavých a hořlavých materiálů v blízkosti otevřeného ohně nebo zdrojů vznícení, např. cigaret, externích motorů a jiných elektrických zařízení.
2. Statická elektřina představuje riziko požáru nebo výbuchu v přítomnosti výparů barev nebo rozpouštědel.
3. Zkontrolujte, zda jsou všechny nádoby a sběrné systémy uzemněny, aby se zabránilo statickému výboji. Obložení kabelů nepoužívejte, pokud nemá antistatické nebo vodivé vlastnosti.
4. V tomto prostoru udržujte dostatečný průtok čerstvého vzduchu.

5. V pracovním prostoru nekuřte.
6. Nepoužívejte spínače světel, motory nebo podobné výrobky, které v provozní oblasti vytvářejí jiskry.
7. Udržujte oblast v čistotě. Nesmí v něm být žádné hořlavé materiály.
8. Seznamte se se všemi bezpečnostními listy (MSDS) a nálepkami na nádobách.
9. Na místě by mělo být funkční hasičské vybavení.
10. Zařízení generuje jiskry. Pokud se ve spotřebiči nebo v jeho blízkosti používá hořlavá kapalina, udržujte spotřebič ve vzdálenosti alespoň 6 m od výbušných par.



ELEKTRICKÁ BEZPEČNOST



1. Zástrčky elektrického nářadí musí odpovídat zásuvkám. Je zakázáno plugin jakkoliv upravovat. K uzemněnému elektrickému nářadí nepřipojujte žádné adaptéry. Použití neupravených zástrček a namontovaných zásuvek snižuje pravděpodobnost úrazu elektrickým proudem.
2. Uzemněné nástroje musí být připojeny ke správně nainstalované a uzemněné zásuvce v souladu se všemi předpisy a nařízeními. Je zakázáno odstraňovat uzemňovací zástrčku nebo zástrčku jakkoli upravovat. Nepoužívejte žádné adaptéry. Máte-li pochybnosti o tom, zda je zásuvka řádně uzemněna, poraďte se s kvalifikovaným elektrikářem. Pokud elektrické nářadí začne selhávat nebo se porouchat, země poskytuje způsob, jak rozptýlit elektřinu od uživatele s nízkým odporem.
3. Vyvarujte se tělesného kontaktu s uzemněnými povrchy, jako jsou potrubí, radiátory, chladničky. Když je tělo uživatele uzemněno, zvyšuje se pravděpodobnost úrazu elektrickým proudem.
4. Nevystavujte elektrické nářadí dešti nebo vlhkosti. Vniknutí vody do elektrického nářadí zvyšuje riziko úrazu elektrickým proudem.
5. Používejte kabely k určenému účelu. Nikdy nepoužívejte kabeláž k přenášení, přetahování nebo odpojování elektrického nářadí ze zásuvky. Chraňte kabel před teplem, olejem, ostrými hranami a pohyblivými částmi. Poškozené kabely okamžitě vyměňte. Poškozené nebo zamotané kabely zvyšují riziko úrazu elektrickým proudem.
6. Při používání elektrického nářadí venku používejte prodlužovací kabely vhodné pro venkovní použití. Použití kabelů vhodných pro venkovní použití snižuje pravděpodobnost úrazu elektrickým proudem.



NEBEZPEČÍ POHYBLIVÝCH ČÁSTÍ



Pohyblivé části mohou skřípnout, pořezat nebo pořezat prsty a další části těla.

1. Drž se dál od pohyblivých částí.
2. Neprovozujte zařízení bez nasazených krytů a ochranných krytů.
3. Zařízení pod napětím se může spustit bez varování. Před kontrolou, přemístováním nebo údržbou zařízení odpojte všechny zdroje napájení.

NEBEZPEČÍ SPOJENÉ S NESPRÁVNÝM POUŽÍVÁNÍM ZAŘÍZENÍ



Nesprávné použití zařízení může vést k úmrtí nebo invaliditě.

1. Při práci vždy používejte vhodné rukavice, oční štít a respirátor nebo masku.
2. Nepoužívejte spotřebič a nepracujte v blízkosti dětí. Udržujte děti mimo dosah spotřebiče.
3. Nepřekračujte normální rozsah a neumistujte zařízení na nestabilní zem. Musí být zachováno správné držení těla a rovnováha.
4. Měli byste udržovat koncentraci a soustředit se na danou činnost.
5. Nenechávejte spotřebič bez dozoru, pokud je zapojen do zásuvky. Pokud zařízení nepoužíváte, vypněte jej a proveďte dekompresní postup.
6. Neprovozujte zařízení, jste-li unavení nebo pod vlivem omamných látek nebo alkoholu.
7. Hadici neohýbejte ani nadměrně neohýbejte.
8. Nevystavujte kabel teplotám nebo objtagnad hodnoty doporučené společností WABROTECH
9. Nepoužívejte kabel k přemísťování nebo zvedání zařízení.

OSOBNÍ OCHRANNÉ PROSTŘEDKY (OOP)



V pracovní oblasti používejte vhodné ochranné prostředky, abyste předešli vážným zraněním, včetně poranění očí, ztráty sluchu, toxických výparů a popálenin.



Tato opatření zahrnují mimo jiné: ochranné brýle, dýchací přístroje, ochranný oděv a rukavice v souladu s doporučeními výrobce a rozpouštědla.



Při práci s elektrickým nářadím byste měli být ostražití, opatrní ohledně toho, co děláte, a používat zdravý rozum. Elektrické nářadí nepoužívejte, jste-li unavení nebo pod vlivem drog, alkoholu nebo léků. Chvilka nepozornosti při používání elektrického nářadí může vést k vážnému zranění.

7. Používejte bezpečnostní vybavení. Vždy používejte ochranné brýle. Bezpečnostní opatření, jako je protiprachová maska, protiskluzová obuv, přilba nebo chrániče sluchu, pokud jsou používána správně, omezí zranění osob.

1. Vyvarujte se náhodného přepnutí. Před zapojením spotřebiče do zásuvky se ujistěte, že je vypínač v poloze OFF Položení prstu na spínač při jeho přemísťování nebo zapojování spotřebičů s vypínačem v poloze ON zvyšuje riziko nehod.
2. Před zapnutím zařízení vyjměte nastavovací klíč. Klíč připevněný k rotující části nástroje může způsobit zranění.
3. Nepřetěžujte se. Během provozu zaujměte stabilní polohu. Tím je zajištěna lepší kontrola nad elektrickým nářadím v případě neočekávaných situací.
4. Noste vhodné oblečení. Nenoste volné části oblečení nebo šperky. Udržujte vlasy, oděv a rukavice v dostatečné vzdálenosti od pohyblivých částí. Volné oblečení, šperky nebo dlouhé vlasy se mohou zachytit a uvíznout v pohyblivých částech.
5. Pokud bylo dodáno zařízení pro odsávání a sběr prachu, ujistěte se, že je správně připojeno a používáno. Použití těchto zařízení může snížit rizika spojená s prachem.

PŘIPOJENÍ K ELEKTRICKÉ SÍTI



Síťové napětí musí odpovídat napětí uvedenému na typovém štítku spotřebiče. Za žádných okolností se nářadí nesmí používat, pokud je poškozen napájecí kabel. Poškozený kabel musí být okamžitě vyměněn autorizovaným střediskem péče o zákazníky. Nepokoušejte se opravit poškozený kabel sami. Použití poškozených napájecích kabelů může vést k úrazu elektrickým proudem.

Důležité: používejte pouze třívodičový prodlužovací kabel, který má uzemňovací zástrčku se dvěma kolíky a otvorem a zásuvku, do které lze zasunout zástrčku spotřebiče, se dvěma otvory a kolíkem. Ujistěte se, že je prodlužovací kabel v dobrém stavu. Při použití prodlužovacího kabelu se ujistěte, že je dostatečně výkonný, aby přenesl proud, který může zařízení odebírat. Kabel s příliš slabými parametry způsobí pokles síťového napětí, což způsobí ztráty energie a přehřátí. Doporučuje se použít kabel 3 × 1.5 mm. Pokud má být prodlužovací kabel používán venku, musí být po zadání typu kabelu označen WA. Například označení SJTW-A by znamenalo, že kabel je vhodný pro venkovní použití.

2. KONSTRUKCE WT202

WT202



1	Vřeteno	Má vnitřní závit 1/2" a vnější závit 1 1/4".
2	Identifikační štítek	Informace o parametrech stroje
3	Přední rukojeť	Plastová rukojeť, která pomáhá stabilizovat stroj.
4	Pistolová rukojeť	Podporou paže na rukojeti podporujeme práci se strojem.
5	Motor/ochrana kartáčů	Výkon motoru 1500W/Kartáče jsou umístěny za klapkou
6	Zámek přepínače ON/OFF	Stisknutím zámku uzamkneme přepínač ON/OFF a uzamkneme otáčky na maximální hodnotu.
7	Rukojeť s spoušťovým přepínačem	Plastová rukojeť, která pomáhá stabilizovat stroj.

8	Přípojka vody	Plastová hadice zakončená konektorem.
9	Přepínač ON/OFF	Elektrický přepínač stroje
10	Napájecí kabel s vidlicí	Napájecí zástrčka EU

3. SPECIFIKACE

Model / výkon motoru	WT202/2300 W
Voltage/Frekvence/Pojistka	230V/50Hz/20C (Zkontrolujte typový štítek stroje)
Rozsah průměrů vrtání	22 mm - 168 mm (tvrdý kámen, železobeton) / 22 mm - 202 mm
Maximální rychlost otáčení	1400 ot./min
Přípevnění vrtáku	Vnější závit: 1 ¹ / ₄ " - Vnitřní závit: 1/2"
PRCD	ANO
Spojka	Mechanický
Regulace rychlosti	No
Čistá/hrubá hmotnost	6,5/8 kg

4. ÚČEL VRTNÉ SOUPRAVY NA BETON

Ruční vrtané soupravy jsou součástí povinné výbavy profesionálů zabývajících se stavební, renovační, stavební nebo montážní činností. Jsou stejně vhodné pro soukromé použití. Proto jsme při tvorbě naší nabídky vycházeli z názorů zkušených specialistů, kteří hledali osvědčená a univerzální řešení pro vrtání do materiálů, jako je asfalt, železobeton, cihla, beton nebo přírodní kámen.

Ruční vrtací soupravy WABROTECH se vyznačují maximální ergonomií práce, zajištěnou nízkou hmotností a pevnými konstrukčními materiály v kombinaci s nejvyšší účinností vrtání. Použití nejlepších strojních ložisek a stoprocentně měděných vinutí umožňuje **pohodlnou a přesnou práci za všech podmínek** a co nejvíce šetří vrtáky. Stroj umožňuje provádět vrtací operace diamantovými jádrovými vrtáky v rozsahu průměrů od 22 mm do 202 mm / pro železobeton a tvrdý kámen pouze do 168 mm. Integrované napojení na vodovodní síť umožňuje vytváření mokrých a suchých otvorů.

5. DIAMANTOVÉ JÁDROVÉ VRTÁNÍ

1. Vložte (našroubujte) diamantový jádrový vrták na sklícidlo (vřeteno) a utáhněte otevřenými klíči.

POZNÁMKA: Ujistěte se, že závity vřetena a jádrového vrtáku se shodují. Pokus o instalaci neodpovídajících součástí poškodí vřeteno a vrták.

Ujistěte se, že jádrový vrták i vřeteno stroje jsou čisté. Jakékoli nečistoty mohou způsobit nadměrné házení namontované vrtací korunky. Nadměrné házení může způsobit předčasné selhání jádrového vrtáku a/nebo bezpečnostní rizika.

2. Začněte vrtat velmi opatrně. Pokud držíte za ruku, začněte vrtat pod úhlem 30 stupňů k povrchu vrtání. (Velký kus dřeva s velkým zářezem "V" pomůže zabránit sklouznutí vrtáku na začátku vrtání.) Po vyvrtání asi jedné třetiny oblouku narovnejte vrták do správného kolmého úhlu a udržujte dostatečný tlak na vrták, aby nedošlo ke sklouznutí po povrchu.

3. Po dokončení vrtání vyvíjejte konstantní tlak.
4. Při prorážení na druhou stranu držte stroj pevně a snižte tlak.

VAROVÁNÍ: Vždy držte obličej mimo dosah stroje.

Impregnované segmenty zápustky v diamantovém jádrovém vrtáku pracují na principu řízené eroze. Diamantová pojivová matrice se neustále opotřebovává otěrem obrobku a odhaluje matnost.

Viz níže "OSTŘENÍ TUPÉHO VRTÁKU"

Nikdy neprovádějte prudké pohyby – jinak dojde k poškození vrtáku. Naopak nevrtejte příliš jemně, protože diamantové segmenty potřebují tření, aby se neustále ostřily. Udržujte vrták v nepřetržitém chodu.

Při držení rukou je třeba dbát na to, aby vrták zapadl do otvoru. Pokud je vrták křivý, může se snadno zaseknout.

Poznámka: Pokud se vrták zasekne, nepokoušejte se jej rozkývat vypnutím a zapnutím stroje. To je nebezpečné a může to způsobit poškození motoru. Místo toho odpojte stroj a pomocí klíče uvolněte držák.

Poznámka: Vrtací operace velmi zatěžují motor a na konci vrtání bude teplota motoru velmi vysoká. Vždy nechte motor běžet několik minut bez zátěže, dokud se teplota nevrátí do normálního rozsahu.

Před výměnou vypněte vypínač a nechte vrták zastavit.

6. OSTŘENÍ TUPÉHO VRTÁKU

Pokud se vrták otupí, ideálním způsobem, jak jej znovu naostřit, je potřít jej vhodným oxidem hlinitým nebo karbidem křemíku. Jednoduše vrtejte do materiálu, který má být naostřen, po dobu, kterou potřebujete k tomu, aby se vrták vrátil do stavu, který mu umožní vrátit se do stavu účinnosti vrtání.

7. ODSTRAŇOVÁNÍ PROBLÉMŮ S VIBRACEMI

Pokud dojde k vibracím, které nejsou způsobeny zapuštěnou ocelí, zastavte vrtání, abyste našli příčinu a řešení. **Upozornění:** Nepracujte během vibrací, protože to může vést k vážnému nebezpečí. Diamantová jádrová vrtačka je jistě náchylná k poškození.

Vibrace a vibrace stroje jsou obvykle způsobeny:

1. Vrták je křivý, ne centrický
Řešení: vyměňte vrták.
2. Vrták nemá všechny segmenty
Řešení: Opravte nebo vyměňte vrták.

8. ZAPNUTÍ STROJE

Zařízení je vybaveno proudovým chráničem namontovaným na napájecím kabelu u zástrčky. Má dvě tlačítka a signální světlo. Pokud kontrolka svítí červeně, je zařízení připraveno k provozu. Po výpadku proudu nebo zkratu v systému se pojistka vypne a přeruší napájení - kontrolka přestane svítit. Chcete-li stroj znovu připravit, stiskněte tlačítko "RESET". Pokud se kontrolka stále nerozsvítí, není v síti napájení nebo došlo ke zkratu v systému. Tlačítko "TEST" slouží k odpojení napětí.

9. KONTROLNÍ ČINNOSTI

Poznámka: Provedte kontrolu se zástrčkou vytaženou ze zásuvky.

Před spuštěním vrtné soupravy zkontrolujte stav pracovního nástroje. **Jakákoli ztráta, prasklina nebo odštípnutí segmentu diamantového jádrového vrtáku diskvalifikuje nástroj.** V takovém případě by měly být nainstalovány nové bezvadné.

O zařízení je třeba pečlivě pečovat. Zkontrolujte, zda pohyblivé části stroje fungují správně a nejsou blokovány, nebo zda nejsou části prasklé nebo poškozené, což by mohlo ovlivnit správnou funkci stroje. Poškozené díly musí být před použitím spotřebiče opraveny. Mnoho nehod je způsobeno nesprávnou údržbou elektrického nářadí.

Veźměte prosĭm na vědomĭ, ťe zbytky po řezání keramickěch materiělů jsou korozivnĭ. Po dokoněnĭ operace nenechěvejte stroj nevyěiřtěně. To můťe věst ke korozi jednotlivěch souěastĭ vrtně soupravy.

Kaťděch 50 hodin provozu profoukněte stlaěeněy vzduch motorem během provozu naprězdno, abyste odstranili nahromaděněy prach.

Vťdy zkontrolujte napějecĭ kabel, zda nenĭ poškozeněy, zkontrolujte, zda nejsou uvolněně upevňovacĭ prvky, a vťdy děvejte pozor na neobvyklě zvuky a vibrace během provozu.

10. UHLÍKOVĚ KARTÁĚE

Uhlĭkově kartěe jsou normělně opotřebitelnou souěastĭ a musĭ bět vyměněny, kdťž dosěhnou limitu opotřebenĭ. Stroj je vybaven uhlĭkověmi kartěci. Pokud se stroj neoěekěvaně zastavĭ, zkontrolujte kartěe.

Pozněmka: Kartěe vťdy vyměňujte v pěrech

Věměna kartěců:

- Jednoduťe sejměte krytky kartěců a odstraňte starě kartěe.
- Pťi věměně kartěců za nově (vťdy je vyměňujte v pěrech) se ujistěte, ťe jsou sprěvně usazeněy.

VAROVĀNĪ: Veťkerě opravy musĭ bět svěřovaněy autorizovaněmu servisněmu stťedisku. Nesprěvně provedeně opravy mohou věst ke zraněnĭ nebo smrti.

11. POUŤITĪ

VRTĀNĪ ZA SUCHA

VrtĀnĭ za sucha se liťĭ od vrtĀnĭ za mokra. Pťi vrtĀnĭ za sucha netlaěte na vrtnou soupravu pťilĭť. Něstroj byste měli nechat pracovat svěm vlastněm tempem. VrtĀnĭ za sucha se obvykle provĀdĭ do měkkěch materiělů. Stroj můťe takě vrtat nasucho do ťelezobetonu pomocĭ speciělněch diamantověch vrtĀků.

SUCHĚ VRTĀNĪ DO ŤELEZOBETONU

To vyťžaduje pouťitĭ speciělněch diamantověch vrtĀků urěeněch k tomuto ťěelu. V tomto procesu je nezbytně ťěinně odsĀvĀnĭ prachu. Pouťijte funkci mikro Dopadu. Pro prěměry nad 80 mm vťdy pouťĭvejte vrtacĭ stojan.

1. Pro vrtĀnĭ za sucha jednoduťe odpojte pťĭpojku vody a vypněte vodnĭ ventil. Naťroubujte adaptěr vysavaěe na vťreteno pomocĭ vhodněho klĭěe.



2. Na fotografii vidíme adaptéry pro odsávání prachu namontované na vřetenu.



3. Odpojte přípojku vody od zdroje a vypněte vodní ventil.
4. Zapojte vysavač a začněte.

VYPÍNAČ

Stroj má spouštěcí spínač. Chcete-li zahájit provoz, stiskněte spoušť pro nastartování motoru. Chcete-li spínač uzamknout, stiskněte zamykací tlačítko, které spínač uzamkne v poloze "ON".

Chcete-li uvolnit zámek spouště, jemně jej stiskněte a uvolněte zámek spouště. Spínač se vrátí do polohy "OFF".

VAROVÁNÍ: Nikdy nezamykejte spouštěcí spínač při ručním vrtání. Po montáži vrtačky na stativ zajistěte spínač.

BEZPEČNOSTNÍ SPOJKA

Stroj je vybaven mechanickou spojkou, která chrání stroj před přetížením vřetena. Po opakovaném nucení spojky prokluzovat se opotřebuje a začne prokluzovat při nižších a nižších úrovních točivého momentu. V takovém případě doporučujeme nechat stroj opravit.

12. Kompatibilita

Vrtná souprava je kompatibilní se stativem WT45S a hydronetem WABROTECH 11L. Chcete-li vrtnou soupravu namontovat na stojan, použijte 62mm třamp



13. ŘEŠENÍ PROBLÉMŮ

Problém	Příčina	Řešení
Vrtná souprava nefunguje	Napájecí kabel je špatně připojen nebo poškozen	Zasuňte zástrčku hlouběji do zásuvky Zkontrolujte napájecí kabel
	V zásuvce není síťové napětí	Zkontrolujte napětí na výstupu nebo zda nedošlo k aktivaci pojistky
	Opatřované motorové kartáče	Vyměňte kartáče za nové
	Vadný spínač	Vyměňte spínač za nový
	Vadný proudový chránič PRCD	Vyměňte proudový chránič
	Vibrace	Zkontrolujte stav vrtačky nebo vřetena.

DEFINÍCIE PIKTOGRAMOV POUŽITÝCH V NÁVODE NA POUŽITIE:



PREČÍTAJTE SI PRÍRUČKU



POUŽÍVAJTE MASKY PROTI PRACHU



POUŽÍVAJTE PROSTRIEDKY NA OCHRANU OČÍ



NOSTE OCHRANNÉ RUKAVICE



POZNÁMKA! POUŽITE UZEMNENIE



Varovanie pred úrazom elektrickým prúdom



Varovanie pohyblivých častí



Skladujte oddelene a likvidujte v súlade s environmentálnymi normami



Varovanie pred nebezpečenstvom výbuchu



Dodržiujte pokyny označené týmto symbolom v texte!

1. BEZPEČNOSTNÉ TIPY



Všeobecné bezpečnostné pokyny pre elektrické náradie

Mali by ste si prečítať všetky typy a recepty. Nedodržanie nižšie uvedených pokynov môže mať za následok úraz elektrickým prúdom, požiar a/alebo vážne zranenie osôb. Všetky recepty a bezpečnostné pokyny uchovávajte starostlivo pre budúce použitie. Pojem "elektrické náradie" používaný ďalej sa vzťahuje na elektrické náradie napájané zo siete (káblové) a akumulátorové (akumulátorové) elektrické náradie.

1. Bezpečnosť na pracovisku

- A. Udržujte svoju pracovnú stanicu čistú a dobre osvetlenú. Upratané pracovisko alebo neosvetlený pracovný priestor môže spôsobiť nehody.
- B. Nepoužívajte toto elektrické náradie v potenciálne výbušnom prostredí, ako sú oblasti s horľavými kvapalinami, plynmi alebo prachom. Pri obsluhu elektrického náradia vznikajú iskry, ktoré môžu spôsobiť vznietenie.
- C. Pri používaní spotrebiča udržiavajte deti a ostatných okolostojacich v bezpečnej vzdialenosti. Rozptýlenie môže spôsobiť, že stratíte kontrolu nad nástrojom.

2. Elektrická bezpečnosť

- A. Zástrčka elektrického náradia sa musí zhodovať so zásuvkou. Zástrčku žiadnym spôsobom neupravujte. Zástrčky adaptéra sa nesmú používať pre elektrické náradie s ochranným uzemnením. Nezmenené zástrčky a zodpovedajúce zásuvky znižujú riziko úrazu elektrickým prúdom.

- B. Je potrebné vyhnúť sa kontaktu s uzemnenými povrchmi, ako sú potrubia, radiátory, kachle a chladničky. Riziko úrazu elektrickým prúdom je väčšie, keď je telo používateľa uzemnené.
- C. Zariadenie by malo byť chránené pred dažďom a vlhkosťou. Voda vstupujúca do elektrického náradia zvyší riziko úrazu elektrickým prúdom.
- D. Kábel nikdy nepoužívajte na iné aktivity. Nikdy neprenášajte elektrické náradie za kábel ani ho nepoužívajte na zavesenie spotrebiča; Je tiež zakázané vyberať zástrčku zo zásuvky ťahaním za kábel. Kábel by mal byť chránený pred vysokými teplotami, uchovávajte ho mimo dosahu oleja, ostrých hrán alebo pohyblivých častí zariadenia. Poškodené alebo zapletené vodiče zvyšujú riziko úrazu elektrickým prúdom.
- E. Pri obsluhu elektrického náradia vonku používajte predlžovací kábel, ktorý je vhodný aj na vonkajšie použitie. Použitie správneho predlžovacieho kábla (vhodného na vonkajšie použitie) znižuje riziko úrazu elektrickým prúdom.
- F. Ak sa elektrickému náradu nedá vyhnúť vo vlhkých podmienkach, použite zariadenie na zvyškový prúd. Použitie RCD znižuje riziko úrazu elektrickým prúdom.

3. Osobná bezpečnosť

- A. Pri obsluhu elektrického náradia buďte opatrní a každú operáciu vykonávajte opatrne a opatrne. Nepoužívajte elektrické náradie, keď ste unavení alebo pod vplyvom drog, alkoholu alebo liekov. Chvilka nepozornosti s elektrickým náradím môže mať za následok vážne zranenie osôb.
- B. Vždy sa musia nosiť osobné ochranné prostriedky a ochranné okuliare. Nosenie osobných ochranných prostriedkov – maska proti prachu, obuv s protišmykovou podrážkou, tvrdé klobúky alebo prostriedky na ochranu sluchu (v závislosti od typu a použitia elektrického náradia) – znižuje riziko zranenia.
- C. Musíte zabrániť neúmyselnému spusteniu nástroja. Pred vložením zástrčky do elektrickej zásuvky a/alebo jej pripojením k akumulátoru a pred zdvíhaním alebo prenášaním elektrického náradia sa uistite, že je elektrické náradie vypnuté. Držanie prsta na vypínači pri pohybe alebo zapínaní elektrického náradia môže mať za následok nehodu.
- D. Pred použitím elektrického náradia odstráňte nastavovacie nástroje alebo kľúče. Nástroj alebo kľúč v pohyblivých častiach spotrebiča môže spôsobiť zranenie.
- E. Je potrebné vyhnúť sa neprirodzeným pracovným polohám. Je dôležité udržiavať stabilnú pracovnú polohu a rovnováhu. To vám umožní lepšie ovládať elektrické náradie v nepredvídaných situáciách.
- F. Je potrebné nosiť vhodné oblečenie. Voľné oblečenie alebo šperky by sa nemali nosiť. Vlasy, oblečenie a rukavice uchovávajte mimo pohyblivých častí. Voľné oblečenie, šperky alebo dlhé vlasy môžu byť zachytené v pohyblivých častiach.
- G. Ak je možné nainštalovať zariadenia na odsávanie a zber prachu, skontrolujte, či sú správne pripojené a používané. Použitie zariadenia na odsávanie prachu môže znížiť riziko prachu.

4. Správna prevádzka a činnosť elektrického náradia

- A. Zariadenie nepreťažujte. Použite elektrické náradie určené na tento účel. So správnym elektrickým náradím môžete pracovať lepšie a bezpečnejšie v danom rozsahu výkonu.
- B. Nepoužívajte elektrické náradie, ktorého vypínač je poškodený. Elektrické náradie, ktoré sa nedá zapnúť alebo vypnúť, je nebezpečné a musí sa opraviť.
- C. Pred nastavením nástroja, výmenou príslušenstva alebo zastavením nástroja odpojte akumulátor a/alebo vyberte akumulátor. Toto preventívne opatrenie zabraňuje neúmyselnému zapnutiu elektrického náradia.

- D. Elektrické náradie uchovávajte mimo dosahu detí, keď ho nepoužívate. Nástroj nezdieľajte s nikým, kto s ním nie je oboznámený alebo kto si tieto pravidlá neprečítal. Elektrické náradie používané neskúsenými osobami je nebezpečné.
- E. Správna údržba elektrického náradia je nevyhnutná. Skontrolujte, či pohyblivé časti spotrebiča fungujú bezchybne a nie sú zablokované, či nie sú prasknuté alebo poškodené spôsobom, ktorý by mohol ovplyvniť správnu činnosť elektrického náradia. Poškodené časti musia byť pred použitím spotrebiča opravené. Mnoho nehôd je spôsobených nesprávnou údržbou elektrického náradia.
- F. Elektrické náradie, príslušenstvo, pomocné náradie atď. sa musí používať v súlade s týmito odporúčaniami. Je potrebné zohľadniť podmienky a druh práce, ktorá sa má vykonať. Nesprávne používanie elektrického náradia môže mať za následok nebezpečnú situáciu.

5. Služba

- A. Elektrické náradie nechajte opraviť iba kvalifikovanou osobou s použitím originálnych náhradných dielov. Tým sa zabezpečí zachovanie bezpečnosti zariadenia.



Tipy pre bezpečnosť pri práci pre elektrické ručné vŕtacie súpravy

- Stroj je vybavený vodovákami, ktoré pomáhajú nastaviť nástroj. Použite vodováhu na vodorovné umiestnenie stroja.
- Tento stroj je určený na diamantové vŕtanie do betónu, muriva, kameňa a podobných materiálov.
- Zariadenie je možné pripevniť k statívu WT45S pomocou 62mm svorky.
- Akékoľvek iné zneužitie je zakázané.
- Zariadenie je vybavené dvojstupňovou prevodovkou.
- Všetky modely sú vybavené mechanickou bezpečnostnou spojkou.
- Všetky modely majú elektroniku pre mäkký štart, ochranu proti preťaženiu a tepelnú ochranu.
- Napätie musí byť v súlade s napätím uvedeným na typovom štítku nástroja. Nástroj by sa za žiadnych okolností nemal používať, ak je napájací kábel poškodený. Poškodený kábel je potrebné okamžite vymeniť v servisnom stredisku. Nepokúšajte sa poškodený kábel opravovať sami. Používanie poškodených napájacích káblov môže viesť k úrazu elektrickým prúdom
- Nepracujte s tupým alebo poškodeným vrtákom.
- Je zakázané používať diamantové bity, ktoré nezodpovedajú technickým parametrom uvedeným v používateľskej príručke.
- Nepoužívajte stroj v blízkosti nádob s horľavými kvapalinami alebo plynmi.
- Pri ručnom vŕtaní odporúčame použiť vrták s maximálnym priemerom 80 mm.

NEBEZPEČENSTVO POŽIARU A VÝBUCHU



Horľavé výpary z rozpúšťadiel a farieb v pracovnom priestore sa môžu vznietiť alebo explodovať. Ak chcete zabrániť požiaru alebo výbuchu:



1. Vyhnite sa práci v blízkosti horľavých a horľavých materiálov, v blízkosti otvoreného ohňa alebo zdrojov vznietenia, napr. cigariet, vonkajších motorov a iných elektrických zariadení.
2. Statická elektrina predstavuje riziko požiaru alebo výbuchu v prítomnosti výparov z farieb alebo rozpúšťadiel.

3. Skontrolujte, či sú všetky kontajnery a zberné systémy uzemnené, aby sa zabránilo statickému vypúšťaniu. Nepoužívajte podšívku vedra, pokiaľ nemá antistatické alebo vodivé vlastnosti.
4. V tejto oblasti udržiavajte dostatočný prúd čerstvého vzduchu.
5. Nefajčite v pracovnom priestore.
6. Nepoužívajte vypínače svetiel, motory ani podobné výrobky, ktoré vytvárajú iskry v oblasti obsluhy.
7. Udržiavajte oblasť čistú. Nesmú v ňom byť žiadne horľavé materiály.
8. Oboznámte sa so všetkými kartami bezpečnostných údajov (KBÚ) a nálepkami na nádobách.
9. Na mieste by malo byť funkčné hasiace zariadenie.
10. Zariadenie generuje iskry. Ak sa v spotrebiči alebo v jeho blízkosti používa horľavá kvapalina, udržiavajte prístroj najmenej 6 m od výbušných pár.



ELEKTRICKÁ BEZPEČNOSŤ



1. Zástrčky elektrického náradia sa musia zhodovať so zásuvkami. Je zakázané plugin akýmkoľvek spôsobom upravovať. K uzemnenému elektrickému náradiu nepripájajte žiadne adaptéry. Použitie nemodifikovaných zástrčiek a vstavaných nádob znižuje pravdepodobnosť úrazu elektrickým prúdom.
2. Uzemnené nástroje musia byť pripojené k správne nainštalovanej a uzemnenej zásuvke v súlade so všetkými predpismi a nariadeniami. Je zakázané odstraňovať uzemňovaciu zástrčku alebo ju akýmkoľvek spôsobom upravovať. Nepoužívajte žiadne adaptéry. Ak máte pochybnosti o tom, či je zásuvka správne uzemnená, obráťte sa na kvalifikovaného elektrikára. Ak elektrické náradie začne fungovať nesprávne alebo sa pokaziť, zem poskytuje spôsob, ako odvádzať elektrinu od používateľa s nízkym odporom.
3. Zabráňte kontaktu tela s uzemnenými povrchmi, ako sú potrubia, radiátory, chladničky. Keď je telo používateľa uzemnené, zvyšuje sa pravdepodobnosť úrazu elektrickým prúdom.
4. Elektrické náradie nevystavujte dažďu ani vlhkosti. Voda vstupujúca do elektrického náradia zvýši riziko úrazu elektrickým prúdom.
5. Káble používajte na určený účel. Nikdy nepoužívajte káble na prenášanie, ťahanie alebo odpájanie elektrického náradia. Kábel chráňte pred teplom, olejom, ostrými hranami a pohyblivými časťami. Poškodené káble okamžite vymeňte. Poškodené alebo zamotané káble zvyšujú riziko úrazu elektrickým prúdom.
6. Pri používaní elektrického náradia vonku používajte predĺžovacie káble vhodné na vonkajšie použitie. Použitie káblov vhodných na vonkajšie použitie znižuje pravdepodobnosť úrazu elektrickým prúdom.



NEBEZPEČENSTVO POHYBLIVÝCH ČASŤÍ

Pohyblivé časti môžu zvierajúť, rezať alebo rezať prsty a iné časti tela.



1. Drž sa ďalej od pohyblivých častí.

2. Nepoužívajte zariadenie bez ochranných krytov a ochranných krytov na mieste.
3. Zariadenie pod napätím sa môže spustiť bez varovania. Pred kontrolou, premiestnením alebo údržbou zariadenia odpojte všetky zdroje napájania.

NEBEZPEČENSTVÁ SPOJENÉ S NESPRÁVNÝM POUŽÍVANÍM ZARIADENIA



Nesprávne používanie zariadenia môže viesť k smrti alebo invalidite.

1. Pri práci vždy noste vhodné rukavice, štít na oči a respirátor alebo masku.
2. Nepoužívajte prístroj ani nepracujte v blízkosti detí. Udržujte deti mimo dosahu spotrebiča.
3. Neprekračujte normálny rozsah a neumiestňujte zariadenie na nestabilnú zem. Musí sa udržiavať správne držanie tela a rovnováha.
4. Mali by ste udržiavať koncentráciu a sústrediť sa na danú činnosť.
5. Nenechávajte spotrebič bez dozoru, keď je zapojený. Keď sa zariadenie nepoužíva, vypnite ho a vykonajte postup dekompresie.
6. Prístroj nepoužívajte, keď ste unavení alebo pod vplyvom omamných látok alebo alkoholu.
7. Hadicu nadmerne neohýbajte ani neohýbajte.
8. Kábel nevystavujte teplotám ani napätiu odporúčaným spoločnosťou WABROTECH
9. Kábel nepoužívajte na premiestňovanie ani zdvíhanie zariadenia.

OSOBNÉ OCHRANNÉ PROSTRIEDKY (OOP)



V pracovnom priestore noste vhodné ochranné prostriedky, aby ste predišli vážnym zraneniam vrátane poranení očí, straty sluchu, toxických výparov a popálenín.



Tieto opatrenia zahŕňajú, ale nie sú obmedzené na: ochranné okuliare, dýchacie prístroje, ochranný odev a rukavice v súlade s odporúčaniami výrobcu a rozpúšťadlá.



Pri obsluhu elektrického náradia by ste mali byť ostražití, dávať pozor na to, čo robíte, a používať zdravý rozum. Nepoužívajte elektrické náradie, keď ste unavení alebo pod vplyvom drog, alkoholu alebo liekov. Okamih nepozornosti pri obsluhu elektrického náradia môže mať za následok vážne zranenie osôb.

1. Noste bezpečnostné vybavenie. Vždy noste ochranné okuliare. Bezpečnostné opatrenia, ako je prachová maska, protišmyková obuv, prilba alebo chrániče sluchu, pri správnom používaní znížia zranenia osôb.
2. Zabráňte náhodnému prepnutiu. Pred zapojením spotrebiča sa uistite, že je vypínač v polohe VYPNUTÉ Položenie prsta na vypínač pri jeho pohybe alebo zapojení spotrebičov so spínačom v polohe ON zvyšuje riziko nehôd.
3. Pred zapnutím zariadenia vyberte nastavovací kľúč. Kľúč pripevnený k rotujúcej časti nástroja môže spôsobiť zranenie.
4. Nepreťažujte sa. Počas prevádzky zaujmite stabilnú polohu. To poskytuje lepšiu kontrolu nad elektrickým náradím v prípade neočakávaných situácií.

5. Noste vhodné oblečení. Nenoste volné oblečení alebo šperky. Vlasy, oblečenie a rukavice uchovávajte mimo pohyblivých častí. Volné oblečenie, šperky alebo dlhé vlasy sa môžu zachytiť a uviaznuť v pohyblivých častiach.
6. Ak bolo dodané zariadenie na odsávanie a zber prachu, uistite sa, že je správne pripojené a používané. Používanie týchto zariadení môže znížiť riziká spojené s prachom.

PRIPOJENIE K ELEKTRICKEJ SIETI

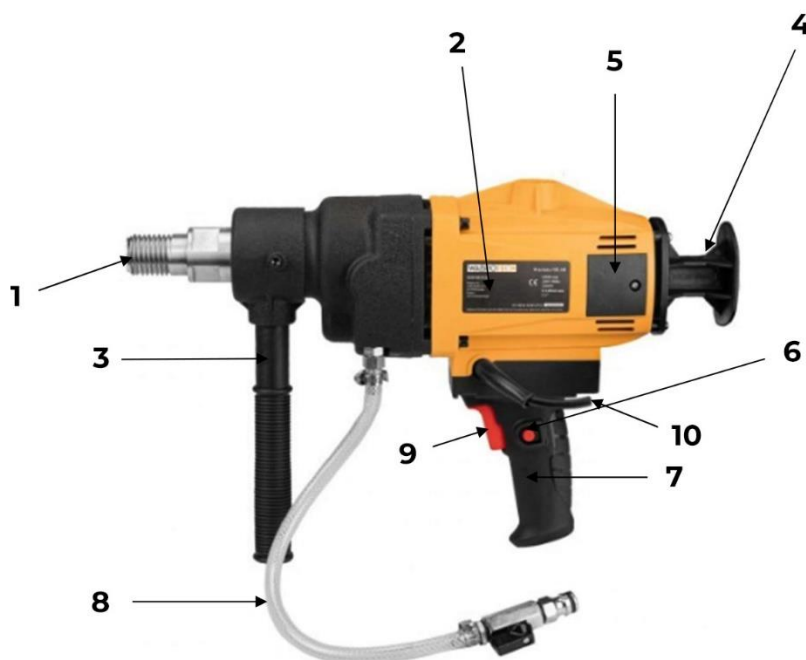


Sieťové napätie musí zodpovedať napätiu uvedenému na výkonovom štítku spotrebiča. Nástroj by sa za žiadnych okolností nemal používať, ak je napájací kábel poškodený. Poškodený kábel musí byť okamžite vymenený autorizovaným strediskom starostlivosti o zákazníkov. Nepokúšajte sa poškodený kábel opravovať sami. Použitie poškodených napájacích káblov môže mať za následok zásah elektrickým prúdom.

DÔLEŽITÉ: používajte iba trojvodičový predlžovací kábel, ktorý má uzemňovaciu zátku s dvoma hrotmi a otvormi a dvojtvorovú zásuvku, do ktorej sa zmestí zástrčka spotrebiča, s dvoma otvormi a kolíkom. Skontrolujte, či je predlžovací kábel v dobrom stave. Ak používate predlžovací kábel, uistite sa, že je dostatočne výkonný na prenos prúdu, ktorý môže zariadenie čerpať. Kábel s príliš slabými parametrami spôsobí pokles sieťového napätia, čo spôsobí straty energie a prehriatie. Odporúča sa použiť 3 × 1,5 mm kábel. Ak sa má predlžovací kábel používať vonku, musí byť po zadaní typu kábla označený WA. Napríklad označenie SJTW-A by naznačovalo, že kábel je vhodný na vonkajšie použitie.

2. KONŠTRUKCIA WT202

WT202



1	Vřeteno	Má vnitřní závit 1/2" a vnější závit 1 1/4".
2	Identifikační štítek	Informace o parametrech stroje
3	Přední rukojeť	Plastová rukojeť, která pomáhá stabilizovat stroj.

4	Pistolová rukojeť	Podporou paže na rukojeti podporujeme práci se strojem.
5	Motor/ochrana kartáčů	Výkon motoru 1500W/Kartáče jsou umístěny za klapkou
6	Zámek přepínače ON/OFF	Stisknutím zámku uzamkneme přepínač ON/OFF a uzamkneme otáčky na maximální hodnotu.
7	Rukojeť s spoušťovým přepínačem	Plastová rukojeť, která pomáhá stabilizovat stroj.
8	Přípojka vody	Plastová hadice zakončená konektorem.
9	Přepínač ON/OFF	Elektrický přepínač stroje
10	Napájecí kabel s vidlicí	Napájecí zástrčka EU

3. ŠPECIFIKÁCIE

Model / výkon motoru	WT202/2300 W
Voltage/Frekvence/Pojistka	230V/50Hz/20C (Zkontrolujte typový štítek stroje)
Rozsah průměrů vrtání	22 mm - 168 mm (tvrdý kámen, železobeton) / 22 mm - 202 mm
Maximální rychlost otáčení	1400 ot./min
Přípevnění vrtáku	Vnější závit: 1 ¹ / ₄ " - Vnitřní závit: 1 ¹ / ₂ "
PRCD	ANO
Spojka	Mechanický
Regulace rychlosti	No
Čistá/hrubá hmotnost	6,5/8 kg

4. ÚČEL SÚPRAVY NA VRTANIE BETÓNU

Ručné vrtné súpravy sú súčasťou povinného vybavenia odborníkov zaoberajúcich sa stavebnými, renovačnými, stavebnými alebo montážnymi činnosťami. Sú rovnako vhodné na súkromné použitie. Preto sme našu ponuku založili na názoroch skúsených špecialistov, ktorí hľadali osvedčené a univerzálne riešenia pre vrtanie do materiálov ako asfalt, železobetón, tehla, betón alebo prírodný kameň.

Ručné vrtacie súpravy WABROTECH sa vyznačujú maximálnou ergonómiou práce, zaistenou nízkou hmotnosťou a pevnými konštrukčnými materiálmi v kombinácii s najvyššou účinnosťou vrtania. Použitie najlepších ložísk stroja a stopercentných medených vinutí umožňuje pohodlnú a presnú prácu za všetkých podmienok a šetrí vrtačky čo najviac. Stroj umožňuje vrtanie s diamantovými jadrovými vrtákmi v rozsahu priemerov od 22 mm do 202 mm / pre železobetón a tvrdý kameň len do 168 mm. Integrované napojenie na vodovodnú sieť umožňuje vytvorenie mokrých a suchých dier.

5. VRTANIE DIAMANTOVÝM JADROM

1. Zasuňte (zaskrutkujte) vrták s diamantovým jadrom na skľučovadlo (vreteno) a utiahnite ho otvorenými kľúčmi.

POZNÁMKA: Uistite sa, že závit vretena a jadrového vrtáka sú zhodné. Pokus o inštaláciu nezhodných komponentov poškodí vreteno a vrtačku.

Uistite sa, že jadrový vrták aj vreteno stroja sú čisté. Akékoľvek nečistoty môžu spôsobiť nadmerné vytečenie namontovaného jadrového vrtáka. Nadmerné hádzanie môže spôsobiť predčasné zlyhanie jadrového vrtáka a/alebo bezpečnostné riziká.

2. Začnite vrtať veľmi opatrne. Ak držíte ruku, začnite vrtať pod uhlom 30 stupňov k vrtnej ploche. (Veľký kus dreva s veľkým zárezom "V" pomôže zabrániť sklznutiu vrtáka na začiatku vrtania.) Po vyvrtaní asi jednej tretiny oblúka narovnajzte vrták do správneho kolmého uhla a udržiajte dostatočný tlak na vrták, aby ste zabránili jeho kĺzaniu po povrchu.
3. Po dokončení vrtania vyvíjajte konštantný tlak.
4. Pri prepichnutí na druhú stranu pevne držte stroj a znížte tlak.

VÝSTRAHA: Vždy držte tvár ďalej od stroja.

Impregnované matricové segmenty vo vrtáku s diamantovým jadrom pracujú na princípe riadenej erózie. Matrica diamantového spojiva sa neustále nosí oderom obrobku, čo odhaľuje matnosť.

Pozri nižšie "OSTRENIE TUPÉHO VRTÁKA"

Nikdy nerobte náhle pohyby - inak sa vrták poškodí. Naopak, nevrtajte príliš jemne, pretože diamantové segmenty potrebujú trenie, aby udržali ostrenie. Udržujte vrták v nepretržitom.

Pri držaní rúk je potrebné dbať na to, aby vrták zapadol do otvoru. Ak je vrták krivý, môže sa ľahko zaseknúť.

Poznámka: Ak sa vrták zasekne, nepokúšajte sa ho otočiť vypnutím a zapnutím stroja. Je to nebezpečné a môže to spôsobiť poškodenie motora. Namiesto toho odpojte zariadenie a pomocou kľúča uvoľnite držiak.

Poznámka: Vrtacie operácie kladú veľký dôraz na motor a na konci vrtania bude teplota motora veľmi vysoká. Motor vždy bežte niekoľko minút bez zaťaženia, kým sa teplota nevráti do normálneho rozsahu.

Pred výmenou vypnite spínač zapnutia / vypnutia a nechajte vrták zastaviť sa.

6. OSTRENIE VRTÁKA NA ZADOK

Ak sa vrták stane matným, ideálnym spôsobom, ako ho znovu zaostriť, je natrieť ho vhodným oxidom hlinitým alebo karbidom kremíka. Jednoducho vrtajte do materiálu, ktorý sa má nabrúsiť, na čas potrebný na to, aby sa vrták vrátil do stavu, ktorý mu umožní vrátiť sa do stavu účinnosti vrtania.

7. RIEŠENIE PROBLÉMOV S VIBRÁCIAMI

Ak dôjde k vibráciám, ktoré nie sú spôsobené zapustenou oceľou, zastavte vrtanie, aby ste našli príčinu a riešenie. **Upozornenie:** Počas vibrácií nepôsobte, pretože to môže viesť k vážnemu nebezpečenstvu. Vrtáčka s diamantovým jadrom je určite náchylná na poškodenie.

Vibrácie a vibrácie stroja sú zvyčajne spôsobené:

1. Vrták je krivý, nie centrický
Riešenie: vymeňte vrtáčku.
2. Vrtáčka nemá všetky segmenty
Riešenie: Opravte alebo vymeňte vrták.

8. ZAPNUTIE STROJA

Zariadenie je vybavené zariadením na zvyškový prúd namontovaným na napájacom kábli na zástrčke. Má dve tlačidlá a signálne svetlo. Ak je indikátor červený, zariadenie je pripravené na prevádzku. Po výpadku napájania alebo skrate v systéme sa poistka vypne a preruší napájanie - svetlo prestane svietiť. Ak chcete

stroj znova pripraviť, stlačte tlačidlo "RESET". Ak sa svetlo stále nerozsvieti, nie je k dispozícii napájanie do siete alebo v systéme dochádza ku skratu. Tlačidlo "TEST" sa používa na odpojenie napätia.

9. KONTROLNÉ ČINNOSTI

Poznámka: Skontrolujte , či nie je zástrčka vytiahnutá zo zásuvky.

Pred spustením vrtnej súpravy skontrolujte stav pracovného nástroja. **Akákoľvek strata, prasklina alebo odštiepenie segmentu diamantového jadrového vrtáka diskvalifikuje nástroj.** V takom prípade by mal byť nainštalovaný nový dokonalý.

O zariadenie sa musí starostlivo starať. Skontrolujte, či pohyblivé časti stroja fungujú správne a či nie sú zablokované, alebo či nie sú prasknuté alebo poškodené časti, ktoré by mohli ovplyvniť správnu činnosť stroja. Poškodené časti musia byť pred použitím spotrebiča opravené. Mnoho nehôd je spôsobených nesprávnou údržbou elektrického náradia.

Upozorňujeme, že zvyšky z rezania keramických materiálov sú korozívne. Po dokončení operácie nenechávajte stroj nevyčistený. To môže viesť ku korózii jednotlivých komponentov vrtnej súpravy.

Každých 50 hodín prevádzky vyfúknete stlačený vzduch cez motor počas prevádzky bez zaťaženia, aby ste odstránili nahromadený prach.

Vždy skontrolujte, či nie je poškodený napájací kábel, či nie sú uvoľnené upevňovacie prvky, a počas prevádzky vždy dávajte pozor na nezvyčajné zvuky a vibrácie.

10. UHLÍKOVÉ KEFY

Uhlíkové kefy sú zvyčajne opotrebovanou súčasťou a po dosiahnutí limitu opotrebenia sa musia vymeniť. Stroj je vybavený uhlíkovými kefami. Ak sa stroj neočakávane zastaví, skontrolujte kefy.

Poznámka: Kefy vždy vymieňajte v pároch

Výmena kefiiek:

- Jednoducho odstráňte uzávery kefiiek a odstráňte staré kefy.
- Pri výmene kefiiek za nové (vždy ich vymieňajte v pároch) sa uistite, že sú správne usadené.

VÝSTRAHA: Každý servis musí byť postúpený autorizovanému servisnému stredisku. Nesprávne vykonané opravy môžu viesť k zraneniu alebo smrti.

11. POUŽITIE

SUCHÉ VRTANIE

Suché vrtanie sa líši od vrtania za mokra. Pri suchom vrtaní nevyvíjajte na vrtnú súpravu príliš veľký tlak. Mali by ste nechať nástroj pracovať vlastným tempom. Suché vrtanie sa zvyčajne vykonáva v mäkkších materiáloch. Stroj môže tiež sucho vrtať do železobetónu pomocou špeciálnych diamantových vrtákov.

SUCHÉ VRTANIE DO ŽELEZOBETÓNU

To si vyžaduje použitie špeciálnych diamantových vrtákov určených na tento účel. V tomto procese je nevyhnutná účinná odsávanie prachu. Použite funkciu mikronárazu. Pri priemeroch nad 80 mm vždy používajte stojan na vrtačku.

1. Pri suchom vrtaní jednoducho odpojte prípojku vody a vypnite vodný ventil. Naskrutkujte adaptér vysávača na vreteno pomocou vhodného kľúča.



2. Na fotografii vidíme adaptéry na odsávanie prachu namontované na vretene.



3. Odpojte prípojku vody od napájania a vypnite vodný ventil.
4. Zapojte vysávač a začnite.

PREPÍNAČ

Stroj má spínač. Ak chcete spustiť prevádzku, stlačením spúšte naštartujete motor. Ak chcete prepínač uzamknúť, stlačte tlačidlo uzamknutia, ktoré uzamkne spínač v polohe "ON".

Ak chcete uvoľniť zámok spúšte, jemne ho stlačte a uvoľnite zámok spúšte. Prepínač sa vráti do polohy "OFF".

VÝSTRAHA: Pri ručnom vŕtaní nikdy neblokujte spúšťový spínač. Po montáži vŕtačky na statív zaistite spínač.

BEZPEČNOSTNÁ SPOJKA

Stroj je vybavený mechanickou spojkou, ktorá chráni stroj pred preťažením vretena. Po opakovanom nútení spojky prekĺznuť sa opotrebuje a začne kĺzať pri nižších a nižších úrovniach krútiaceho momentu. V takom prípade odporúčame stroj opraviť.

12. Zlučiteľnosť

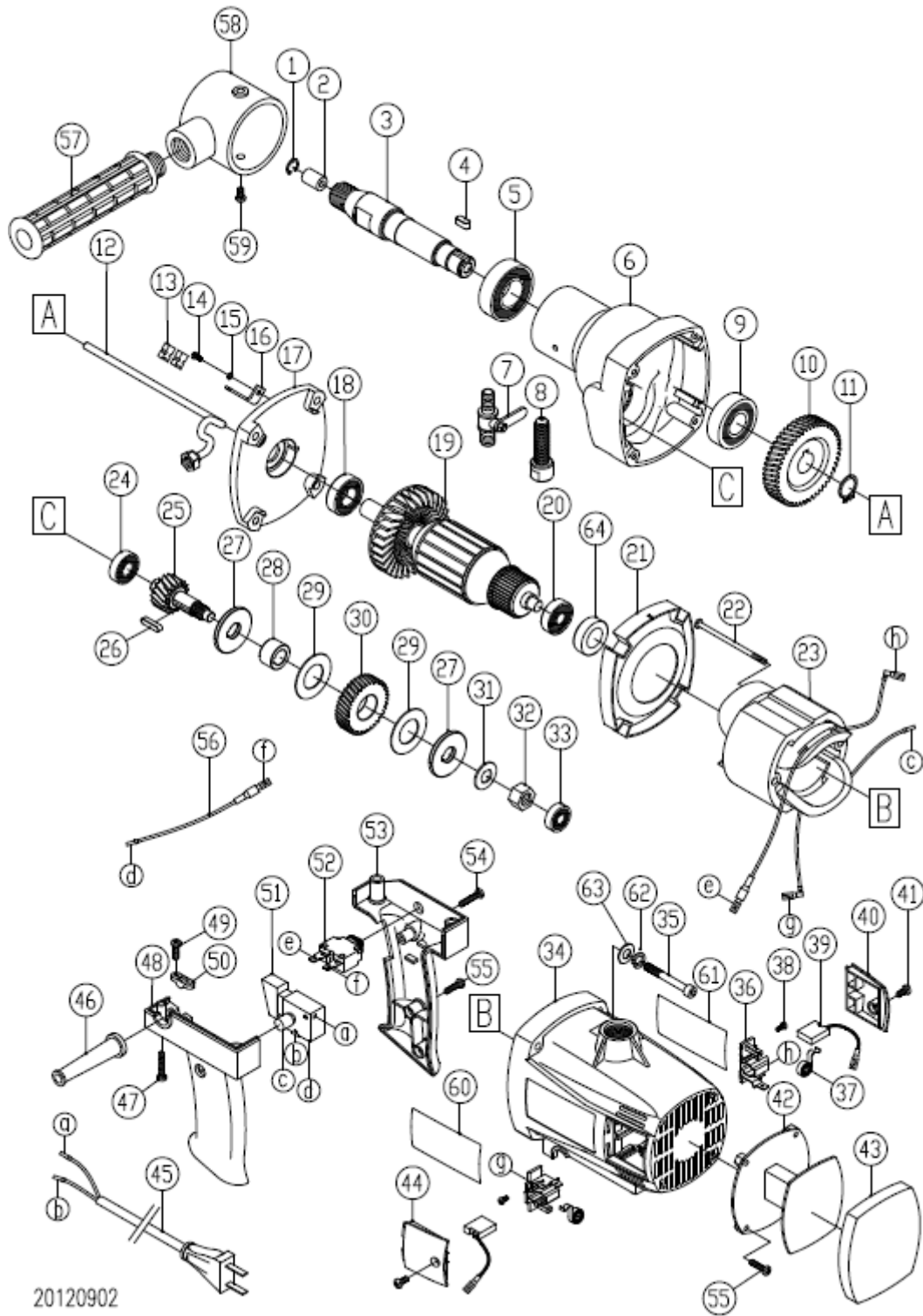
Vrtná súprava je kompatibilná so statívom WT45S a hydronetom WABROTECH 11L. Na montáž vrtnej súpravy na stojan použite 62 mm svorku



13. RIEŠENIE PROBLÉMOV

Problém	Dôvod	Riešenie
Vrtná súprava nefunguje	Napájací kábel je zle pripojený alebo poškodený	Zatlačte zástrčku hlbšie do zásuvky
		Skontrolujte napájací kábel
	V zásuvke nie je žiadne sieťové napätie	Skontrolujte napätie na výstupe alebo či sa poistka nevypla
	Opatrebované motorové kefy	Vymeňte kefy za nové
	Chybný spínač	Vymeňte spínač za nový
	Chybné zariadenie na zvyškový prúd PRCD	Vymeňte spínač zvyškového prúdu
	Vibrácia	Skontrolujte stav vrtačky alebo vretena.

Diagram and CE Declaration





EC DECLARATION OF CONFORMITY

Producent : ZHEJIANG KANGSHUAI IMP&EXP CO.,LTD HENGYAN VILLAGE,
ZHIYING STREET, YONGKANG,ZHEJIANG CHINA

Importer: Wabro s. c.,NIP 626 303 23 31 Arki Bożka 2A, 41-910 Bytom, **POLAND**

Product description: **Diamond core drill**

Model No.: **WT202 (168A Diamond core drill)**

Serial No.: 001/2024 – 1150/2024

We hereby declare that the listed above equipment is manufactured in accordance with the following EU Directives placed below :

2006/42/EC	MD – Machinery Directive
2014/30/UE	EMC – Electromagnetic Compatibility

and harmonised with these directives standards

EMC*	EN 55014-1:2017+A1+A2 EN 55014-2:2015 EN 61000-3-2:2019 EN 61000-3-3:2013
MD*	PN-EN ISO 12100:2012 EN 62841-1:2015/AC:2015 EN 62841-3-6:2014/AC:2015

<p>Representative in the EU and authorized to compile the technical documentation</p> <p>Mateusz Broszczak WABRO s. c. Arki Bożka 2A 41-910 Bytom Polska Tel. 731 707 242</p>	<p>Issued by : WABRO s.c. Place, Date : Bytom, 16.05.2024</p> <p>Name, Surname : Mateusz Broszczak</p> <p>Position : CEO</p>
---	--

Alger
General Menager
16.05.2024 ZHEJIANG