

WABROTECH®



MODEL WT23RE

EN	USER MANUAL
PL	INSTRUKCJA OBSŁUGI
DE	BEDIENUNGSANLEITUNG
FR	MANUEL D'UTILISATION
CZ	NÁVOD K OBSLUZE
SK	NÁVOD NA OBSLUHU
IT	MANUALE D'USO
ES	MANUAL DE USUARIO
HU	HASZNÁLATI ÚTMUTATÓ



EN Please read and keep this manual. Read carefully before assembling, installing, operating or maintaining the product. Protect yourself and others by following all safety information. Failure to follow the instructions may result in personal injury and/or property damage! Keep these instructions for future reference.

PL Proszę przeczytać i zachować tę instrukcję. Przeczytaj uważnie przed przystąpieniem do montażu, instalacji, obsługi lub konserwacji produktu. Chroń siebie i innych, przestrzegając wszystkich informacji dotyczących bezpieczeństwa. Nieprzestrzeganie instrukcji może spowodować obrażenia ciała i/lub uszkodzenie mienia! Zachowaj tę instrukcję do wykorzystania w przyszłości.

DE Bitte lesen Sie dieses Handbuch und bewahren Sie es auf. Lesen Sie die Anleitung sorgfältig durch, bevor Sie das Produkt zusammenbauen, installieren, bedienen oder warten. Schützen Sie sich und andere, indem Sie alle Sicherheitshinweise befolgen. Die Nichtbeachtung der Anweisungen kann zu Personen- und/oder Sachschäden führen! Bewahren Sie diese Anleitung zum späteren Nachschlagen auf.

FR Veuillez lire et conserver ce manuel. Lisez-le attentivement avant d'assembler, d'installer, d'utiliser ou d'entretenir le produit. Protégez-vous et protégez les autres en respectant toutes les consignes de sécurité. Le non-respect des instructions peut entraîner des blessures corporelles et/ou des dommages matériels ! Conservez ces instructions pour toute référence ultérieure.

CZ Přečtěte si prosím tento návod a uschovejte jej. Před montáží, instalací, provozem nebo údržbou výrobku si jej pečlivě přečtěte. Chraňte sebe i ostatní dodržováním všech bezpečnostních pokynů. Nedodržení pokynů může vést ke zranění osob a/nebo škodám na majetku! Uschovejte si tento návod pro budoucí použití.

SK Prečítajte si a uschovajte tento návod. Pred montážou, inštaláciou, prevádzkou alebo údržbou výrobku si ho pozorne prečítajte. Chráňte seba a ostatných dodržiavaním všetkých bezpečnostných pokynov. Nedodržanie pokynov môže viesť k zraneniu osôb a/alebo poškodeniu majetku! Uschovajte si tento návod na budúce použitie.

IT Leggere e conservare questo manuale. Leggerlo attentamente prima di assemblare, installare, utilizzare o sottoporre a manutenzione il prodotto. Proteggere sé stessi e gli altri seguendo tutte le informazioni di sicurezza. La mancata osservanza delle istruzioni può causare lesioni personali e/o danni materiali! Conservare queste istruzioni per riferimento futuro.

ES Lea y conserve este manual. Léalo atentamente antes de montar, instalar, utilizar o realizar el mantenimiento del producto. Protégase y proteja a los demás siguiendo toda la información de seguridad. El incumplimiento de estas instrucciones puede provocar lesiones personales y/o daños materiales. Conserve estas instrucciones para futuras consultas.

HU Kérjük, olvassa el és őrizze meg ezt a használati útmutatót. A termék összeszerelése, telepítése, használata vagy karbantartása előtt figyelmesen olvassa el. Saját maga és mások védelme érdekében tartsa be az összes biztonsági előírást. Az utasítások be nem tartása személyi sérülést és/vagy anyagi kárt okozhat! Őrizze meg ezt az útmutatót későbbi használatra.

WT 23RE

EN

DEFINITIONS OF PICTOGRAMS USED IN THE INSTRUCTIONS:.....	8
1. SAFETY TIPS.....	8
2. CONSTRUCTION OF WT23RE.....	13
3. SPECIFICATIONS.....	14
4. PURPOSE OF MAGNETIC DRILL.....	14
5. RESTRICTIONS ON USE.....	14
6. DRILL BITS.....	15
7. TYPES OF DRILL BITS.....	15
8. POWER SUPPLY.....	16
9. TURNING ON THE MACHINE.....	16
10. CARBON BRUSHES.....	16
11. CLEARANCE ON THE GUIDES.....	17
12. CONTROL ACTIVITIES.....	18
13. COMPATIBILITY.....	18
14. TROUBLESHOOTING.....	20

PL

DEFINICJE UŻYTYCH W INSTRUKCJI PIKTOGRAMÓW:.....	21
1. WSKAZÓWKI BEZPIECZEŃSTWA.....	21
2. BUDOWA WT23RE.....	26
3. DANE TECHNICZNE.....	27
4. PRZEZNACZENIE WIERTARKI MAGNETYCZNEJ.....	27
5. OGRANICZENIA UŻYCIA.....	28
6. WIERTŁA.....	28
7. RODZAJE WIERTEŁ.....	28
8. SIEĆ ZASILAJĄCA.....	29
9. WŁĄCZANIE MASZYNY.....	29
10. SZCZOTKI WĘGLOWE.....	30
11. KASOWANIE LUZU NA PROWADNICACH.....	31
12. CZYNNOSCI KONTROLNE.....	31
13. KOMPATYBILNOŚĆ.....	31
14. ROZWIĄZYWANIE PROBLEMÓW.....	33

DE

DEFINITIONEN DER IN DER ANLEITUNG VERWENDETEN PIKTOGRAMME:.....	35
1. SICHERHEITSTIPPS.....	35
2. BAU DER WT23RE.....	40
3. TECHNISCHE Daten.....	41
4. ZWECK DES MAGNETBOHRERS.....	41
5. NUTZUNGSBESCHRÄNKUNGEN.....	42
6. BOHRABSCHNITTE.....	42

7. TYPEN VON BOHRERN.....	42
8. STROMVERSORGUNG	43
9. DAS EINSCHALTEN DER MASCHINE	43
10. KOHLEBÜRSTEN	44
11. FREIGABE AN DEN FÜHRERN	45
12. KONTROLLAKTIVITÄTEN	45
13. KOMPATIBILITÄT	45
14. FEHLERBEHEBUNG	47
FR	
DÉFINITIONS DES PICTOGRAMMES UTILISÉS DANS LA NOTICE :	49
1. CONSEILS DE SÉCURITÉ	49
2. CONSTRUCTION DU WT23RE.....	54
3. SPÉCIFICATIONS TECHNIQUES	55
4. OBJECTIF DE LA PERCEUSE MAGNÉTIQUE	55
5. RESTRICTIONS D'UTILISATION	55
6. EXERCICES D'INTERCEPTION	56
7. TYPES DE MÈCHES	56
8. ALIMENTATION ÉLECTRIQUE	57
9. ALLUMAGE DE LA MACHINE.....	57
10. BROSSES AU CHARBON	58
11. LIBÉRER AUX GUIDES.....	58
12. ACTIVITÉS DE CONTRÔLE.....	59
13. COMPATIBILITÉ.....	59
14. DÉPANNAGE	61
CZ	
DEFINICE PIKTOGRAMŮ POUŽITÝCH V NÁVODU:	62
1. TIPY NA BEZPEČNOST	62
2. VÝSTAVBA WT23RE	67
3. SPECIFIKACE.....	68
4. ÚČEL MAGNETICKÉHO VRTÁNÍ	68
5. OMEZENÍ POUŽITÍ	68
6. VRTACÍ BITY.....	69
7. TYPY VRTÁKŮ.....	69
8. NAPÁJENÍ	70
9. ZAPNUTÍ STROJE.....	70
10. UHLÍKOVÉ KARTÁČE	70
11. VYČIŠTĚNÍ NA PRŮVODCÍCH	71
12. KONTROLNÍ AKTIVITY	72
13. KOMPATIBILITA.....	72
14. ŘEŠENÍ PROBLÉMŮ	74
SK	
DEFINÍCIE PIKTOGRAMOV POUŽITÝCH V NÁVODE NA POUŽITIE:	75

1. BEZPEČNOSTNÉ TIPY	75
2. VÝSTAVBA WT23RE	80
3. ŠPECIFIKÁCIE.....	81
4. ÚČEL MAGNETICKÉHO VRTANIA	81
5. OBMEDZENIA POUŽITIA.....	81
6. VRTNÉ BITY.....	82
7. TYPY VRTÁKOV	82
8. NAPÁJANIE.....	83
9. ZAPNUTIE STROJA.....	83
10. UHLÍKOVÉ KEFY.....	83
11. ČISTENIE NA VODÍTKACH	84
12. KONTROLNÉ AKTIVITY	85
13. KOMPATIBILITA.....	85
14. RIEŠENIE PROBLÉMOV	87
IT	
DEFINIZIONI DEI PITTOGRAMMI UTILIZZATI NEL MANUALE:	88
1. CONSIGLI DI SICUREZZA.....	88
2. COSTRUZIONE DEL WT23RE.....	93
3. SPECIFICHE	94
4. SCOPO DEL TRAPANO MAGNETICO	94
5. RESTRIZIONI SULL'USO	95
6. ATLETI DI TRIVELLAZIONE	95
7. TIPI DI PUNTE DA TRAPANO	95
8. ALIMENTAZIONE.....	96
9. ACCENDERE LA MACCHINA	96
10. SPAZZOLE AL CARBONIO	97
11. AUTORIZZAZIONE SULLE GUIDE	97
12. ATTIVITÀ DI CONTROLLO.....	98
13. COMPATIBILITÀ	98
14. RISOLUZIONE PROBLEMI.....	100
ES	
DEFINICIONES DE LOS PICTOGRAMAS UTILIZADOS EN EL MANUAL:.....	101
1. CONSEJOS DE SEGURIDAD.....	101
2. CONSTRUCCIÓN WT23RE.....	106
3. ESPECIFICACIONES	107
4. PROPÓSITO DEL TALADRO MAGNÉTICO	107
5. RESTRICCIONES DE USO	108
6. ENTRENANDO A LOS ATLETAS	108
7. TIPOS DE BROCAS	108
8. NUTRICIÓN	109
9. ENCIENDE LA MÁQUINA	109
10. CEPILLOS DE CARBÓN	110

11. AUTORIZACIÓN EN GUÍAS.....	110
12. ACTIVIDADES DE CONTROL	111
13. COMPATIBILIDAD.....	111
14. SOLUCIÓN.....	113
HU	
A KÉZIKÖNYVBEN HASZNÁLT PIKTOGRAMOK DEFINÍCIÓI:	114
1. BIZTONSÁGI TIPPEK.....	114
2. A WT23RE ÉPÍTÉSE	119
3. MŰSZAKI ADATOK	120
4. A MÁGNESES FÚRÓ CÉLJA.....	120
5. HASZNÁLATI KORLÁTOZÁSOK.....	120
6. FÚRÓFEJEK	121
7. A FÚRÓSZÁROK TÍPUSAI	121
8. TÁPEGYSÉG.....	122
9. A GÉP BEKAPCSOLÁSA.....	122
10. SZÉNKEFÉK.....	122
11. AZ ÚTMUTATÓK ENGEDÉLYE	123
12. IRÁNYÍTÁSI TEVÉKENYSÉGEK.....	124
13. KOMPATIBILITÁS	124
14. HIBAKERESÉS.....	126
DIAGRAM AND CE DECLARATION.....	127

DEFINITIONS OF PICTOGRAMS USED IN THE INSTRUCTIONS:



READ THE MANUAL



USE DUST MASKS



USE EYE PROTECTION



REMARK! USE GROUNDING



Please observe the directions marked with this symbol in the text!



Electric Shock Warning



Moving Parts Warning



Store separately and dispose of according to environmental standards



Explosion Hazard Warning

1. SAFETY TIPS



General safety instructions for power tools

Read all tips and recipes. Failure to follow the instructions below may result in electric shock, fire, and/or serious personal injury. Keep all regulations and safety instructions carefully for further reference. As used in the text below, the term "power tool" refers to power tools powered by mains electricity (with a power cord) and to power tools powered by batteries (without a power cord).

1. Workplace safety

- A. The workstation should be kept clean and well lit. Clutter in the workplace or an unlit workspace can cause accidents.
- B. Do not operate this power tool in potentially explosive atmospheres such as flammable liquids, gases or dusts. When operating the power tool, sparks are generated that can cause ignition.
- C. When using the appliance, care must be taken to keep children and other bystanders at a safe distance. Distraction can cause you to lose control of the tool.

2. Electrical safety

- A. The power tool plug must fit into the socket. Do not modify the plug in any way. Do not use adapter plugs for power tools with a protective earthing connection. Unaltered plugs and matching sockets reduce the risk of electric shock.
- B. Avoid contact with grounded surfaces such as; pipes, radiators, stoves and refrigerators. The risk of electric shock is greater when the user's body is grounded.
- C. The appliance must be protected from rain and moisture. Water entering the power tool increases the risk of electric shock.
- D. Never use the cord for other activities. Never carry the power tool by the cord or use the cord to hang the power tool. Also, do not pull the plug out of the socket by pulling on the cord. The cord should be protected from high temperatures, keep away from oil, sharp edges or moving parts of the appliance. Damaged or entangled wires increase the risk of electric shock.

- E. When operating the power tool outdoors, use an extension cord that is also suitable for outdoor use. Using the right extension cord (suitable for outdoor use) reduces the risk of electric shock.
- F. If the power tool cannot be used in humid environments, use a residual current circuit breaker. The use of a residual current circuit breaker reduces the risk of electric shock.

3. Personal safety

- A. When working with a power tool, be careful and perform each action carefully and with caution. Do not use the power tool while you are tired or under the influence of drugs, alcohol, or medication. A moment of inattention when using a power tool can cause serious personal injury.
- B. Wear personal protective equipment and safety glasses at all times. Wearing personal protective equipment – dust mask, slip-on footwear, safety helmet or hearing protection (depending on the type and use of the power tool) – reduces the risk of personal injury.
- C. Avoid unintentionally starting the tool. Before inserting the plug into the socket and/or connecting it to the battery pack, as well as before picking up or moving the power tool, make sure that the power tool is switched off. Keeping your finger on the switch when carrying the power tool or connecting the power tool to the power supply may cause an accident.
- D. Before switching on the power tool, remove the setting tools or wrenches. A tool or wrench in moving parts of the appliance can result in personal injury.
- E. Unnatural body positions should be avoided during work. You should take care of a stable working position and maintain balance. In this way, it will be possible to better control the power tool in unforeseen situations.
- F. Appropriate clothing should be worn. Do not wear loose clothing or jewelry. Keep hair, clothing, and gloves away from moving parts of the tool. Loose clothing, jewelry, or long hair can be pulled in by moving parts and lead to an accident.
- G. If it is possible to install dust extraction and collection devices, make sure that they are connected and used correctly. The use of an extraction device can reduce the risks of inhaling dust.

4. Proper operation and operation of power tools

- A. Do not overload the appliance. Use power tools that are designed for this purpose. With the right power tool, you can work better and safer in a given performance range.
- B. Do not use a power tool whose on/off switch is damaged. A power tool that cannot be turned on or off is dangerous and must be repaired.
- C. Before adjusting the appliance, changing accessories, or stopping the tool, remove the plug from the socket and/or remove the battery. This precaution prevents the power tool from being switched on unintentionally.
- D. When not in use, keep power tools out of the reach of children. Do not share the tool with anyone who is not familiar with it or has not read these provisions. Power tools used by inexperienced persons are dangerous.
- E. Proper maintenance of the power tool is necessary. Check that the moving parts of the power tool are working flawlessly and are not blocked, that the parts are not broken or damaged in a way that would affect the proper operation of the power tool. Have damaged parts repaired before using the appliance. Many accidents are caused by improper maintenance of power tools.

- F. Use power tools, accessories, auxiliary tools, etc., in accordance with these instructions and intended use. The conditions and the type of work performed should be taken into account. Misuse of the power tool may result in hazardous situations.

5. Service

- A. Have the power tool repaired only by a qualified professional and using original spare parts. This ensures that the safety of the device is maintained. We recommend repairs at an authorized WABROTECH service.

FIRE AND EXPLOSION HAZARD



Flammable fumes from solvents and paints in the work area may ignite or explode. To prevent a fire or explosion, you should:

1. Avoid working in the vicinity of flammable and flammable materials near open flames or ignition sources, such as cigarettes, external motors and other electrical appliances.
2. Static electricity poses a risk of fire or explosion in the presence of paint or solvent vapors.
3. Check that all containers and collection systems are grounded to prevent static discharge. Do not use bucket linings unless they have antistatic or conductive properties.
4. Maintain an adequate flow of fresh air in this space.
5. Do not smoke cigarettes in the work area.
6. Do not use light switches, motors, or similar spark-generating products in the work area.
7. Keep the area clean. It must not contain flammable materials.
8. Refer to all Safety Data Sheets (MSDS) and stickers on containers.
9. There should be working firefighting equipment on site.
10. The device generates sparks. If flammable liquid is used in or near the appliance, keep the appliance at least 6m away from explosive vapours.

ELECTRICAL SAFETY



1. Power tool plugs must fit into sockets. It is forbidden to modify the plugin in any way. Do not connect any adapters (adapters) to grounded power tools. The use of unmodified plugs and matching sockets reduces the likelihood of electric shock.
2. Grounded tools must be properly connected to an installed and grounded outlet in accordance with all standards and ordinances. It is forbidden to remove the grounding plug or modify the plug in any way. Do not use any plug adapters. If in doubt as to whether the outlet is properly grounded, consult a qualified electrician. If the power tools start to malfunction or break down, this grounding provides a low-resistance way for electricity to be dissipated from the user.
3. Avoid body contact with grounded surfaces such as pipes, heaters, refrigerators. When the user's body is grounded, the likelihood of electric shock increases.
4. Do not expose power tools to rain or moisture. Water entering the power tool increases the risk of electric shock.
5. Use the cables as intended. Never use wiring to carry, drag, or unplug the power tool from the outlet. Keep the cable away from heat, oil, sharp edges and moving parts. Replace damaged wires

immediately. Damaged or entangled cables increase the risk of electric shock.

6. When using the power tool outdoors, use extension cords that are suitable for outdoor use. The use of cables adapted for outdoor use reduces the likelihood of electric shock

HAZARD OF MOVING PARTS



Moving parts can compress, cut, or cut your fingers and other parts of your body.



1. Stay away from moving parts.
2. Do not operate the equipment without protective covers and covers in place.
3. Live equipment may start without warning. Disconnect all power sources before inspecting, moving, or servicing the equipment.



DANGER OF IMPROPER USE OF THE DEVICE

Improper use of the equipment can lead to death or disability.

1. Always wear a suitable eye shield and a respirator or mask when working.
2. Do not start the appliance or perform work near children. Supporting children away from the device.
3. Do not exceed the normal range or place the device on unstable ground. Good posture and balance should be maintained.
4. You should maintain concentration and focus on the activity at hand.
5. Do not leave the appliance connected to the power supply unattended. When the device is not in use, turn it off and perform the decompression procedure.
6. Do not operate the equipment while tired or under the influence of drugs or alcohol.
7. Do not kink or over-bend the hose.
8. Do not expose the cord to temperatures or voltages exceeding the values recommended by WABROTECH.
9. Do not use the cord to move or lift equipment.

PERSONAL PROTECTIVE EQUIPMENT



Wear appropriate protective equipment while in the work area to help prevent serious injuries, including eye injury, hearing loss, the effects of inhaling toxic fumes, and burns.



These measures include, but are not limited to: safety glasses, breathing apparatus, protective clothing and gloves in accordance with the liquid and solvent manufacturer's recommendations.



When operating power tools, you should be vigilant, be careful about what you are doing and use common sense. Do not use power tools when you are tired or under the influence of drugs, alcohol or medication. A moment of distraction while using a power tool can result in serious injury.

1. Use safety equipment. Always wear safety glasses. Protective measures such as a dust mask, non-slip shoes, helmet or ear protectors, if used correctly, will limit personal injury.
2. Avoid accidental inclusion. Before connecting the appliance, make sure the switch is in the OFF position. Placing your finger on the circuit breaker when carrying or plugging in appliances with the switch in the ON position increases the risk of accidents.
3. Remove the adjustment key before turning on the appliance. A wrench attached to a rotating part of the tool can cause personal injury.
4. Do not lean out excessively. Take a stable position during operation. This ensures better control of the power tool in the event of unexpected situations.
5. Wear appropriate clothing. Do not wear loose items of clothing or jewelry. Keep hair, clothing and gloves away from moving parts. Loose clothes, jewelry or long hair can get caught and get stuck in moving parts.
6. If dust extraction and collection instruments have been provided, make sure they are connected and used properly. The use of these devices can reduce the risk associated with dust.

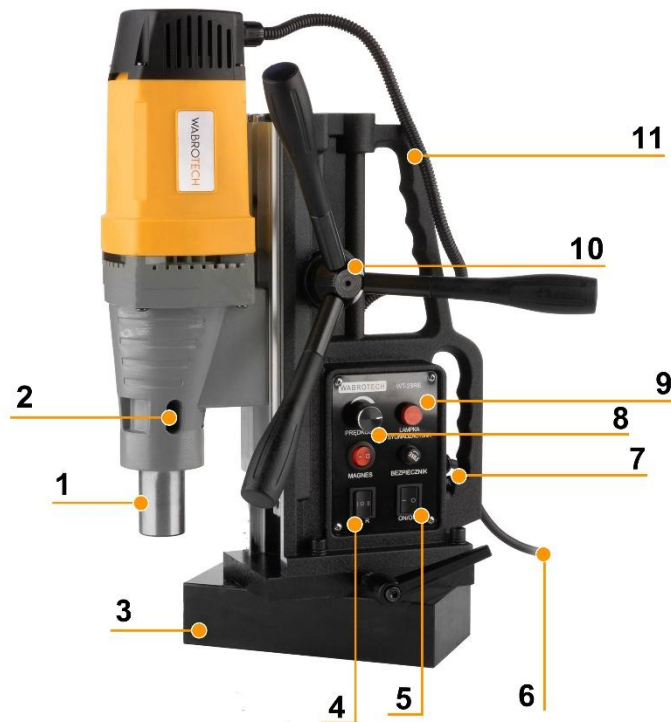
CONNECTION TO THE POWER SUPPLY



The mains voltage must correspond to the voltage indicated on the rating plate of the device. Under no circumstances must the tool be used if the power cord is damaged. A damaged cord must be replaced immediately by an authorized Customer Service Center. Do not attempt to repair the damaged cord on your own. Use of damaged power cables can lead to electric shock.

IMPORTANT: Use only a three-wire extension cord that has a grounding plug with two pins and a hole and a receptacle into which you will be able to insert the appliance plug with two holes and a stem. Make sure the extension cord is in good condition. When using an extension cord, you should be sure that it has sufficient parameters to carry the current that the device can draw. A cable with too poor parameters will cause a drop in mains voltage, which will cause power losses and overheating. It is recommended to use a cable with a cross-section of 3×1.5 mm. If the extension cord is to be used outdoors, it must be marked W-A after specifying the type of cord. For example, the SJTW-A designation would indicate that the cable is suitable for outdoor use.

2. CONSTRUCTION OF WT23RE



1	Tool holder	MT2 Taper Spindle (19mm Weldon Chuck, B18 M3-M16 Thread Chuck, MT2 B18 Mandrel, MT2/3-16mm Jaw Chuck Mounted)
2	Punch	A socket in which handles or drills should be knocked out.
3	Magnetic Foot	Full efficiency of the magnetic alloy with a steel thickness of 10mm. Minimum efficiency with a steel thickness of 4mm. The WT23RE magnetic drill has a movable magnetic foot.
4	Drill Mode Switch	Position 0 – Magnetic Drill Off Drill Position – Drilling REV Position – Threading
5	ON/OFF switch	Magnetic Alloy Electric Switch. ATTENTION! When performing work, the magnetic foot must be switched on first and the machine should be adept.
6	Fuse	Magnetic foot fuse.
7	Power socket	Tells you when the magnetic foot is turned on.
8	Indicator lamp	On informs about the power supply to the drill
9	Speed Controller	Use the potentiometer to adjust the speed of the machine.
10	Feed lever	It is used to adjust the position of the spindle.
11	Handle	Supports the transport of the magnetic drill.

3. SPECIFICATIONS

Engine model/power	WT 23RE/1880 W
Voltage/frequency/fuse	230V/50Hz/C20 (Check the machine nameplate)
Degree of protection	II
Noise level	60-90 dB
Drilling diameter range	MAX Pipe Drill Bits – 50 mm MAX solid drill bits – 23 mm
Maximum rotational speed	580 rpm
Magnetic force	13000N
Maximum working stroke	200 mm
Tool holder	MT2/3-16mm Jaw Chuck (19mm Weldon Chuck, B18 M3-M16 Thread Chuck, MT2 B18 Mandrel, MT2/3-16mm Jaw Chuck Can Be Mounted)
Soft-start	YES
Reverse rotation (threading function)	YES M3-M16
Speed control	YES
Required Ambient Temperature	0- 40oC
Magnetic Foot Dimensions	205 x 105 x 50 mm
Drill dimensions	300 x 215 x 410 mm
Net/Gross Weight	19.5 / 30.5 kg

4. PURPOSE OF MAGNETIC DRILL

The magnetic drilling machine is suitable for drilling in ferromagnetic materials (e.g. steel), during installation, shipbuilding, bridge, crane production, assembly work, locksmith work, assembly of steel structures, etc.

The device is suitable for both core and full drilling. The drill has a tapping function when reverse is engaged. The device can be used in a horizontal, vertical and overhead position. Care should be taken to ensure that sufficient surface area and thickness (**min 10mm**) of ferromagnetic material are available to transmit the magnetic holding force. The contact surface of the workpiece with the electromagnet should be flat, but it must not be untreated. Rust and scale, as well as varnish and layers of putty, must be removed from the surface of the workpiece. When drilling in materials below 10 mm, a steel plate of appropriate thickness must be placed under the workpiece so that the electromagnet can adhere to the substrate with greater force. Never place magnetic drills on insulating materials (e.g. wood, concrete, etc.).

Please note that the magnetic force disappears when the mains power is interrupted (when the power goes out, when the plug is pulled out of the socket), we recommend that you always hold the drill with a seat belt.

Magnetic drills cannot be used on workpieces during electric arc welding. The welding current could lead to damage to the machine.

5. RESTRICTIONS ON USE

Power tools, accessories, tools, etc., must be used in accordance with these regulations and as provided for this special type of appliance. The working conditions and the activity to be performed should be taken into account. Use of power tools for work other than those intended may lead to dangerous situations.

The machine may only be used with the drill bits and chucks described in this manual.

Arbitrary changes in mechanical and electrical construction, any modifications, maintenance activities not described in the Operating Manual will be considered unlawful and result in the immediate loss of Warranty Rights.

Do not overload the appliance. Use a power tool that is provided for this purpose. The right tool makes it easier and safer to work with the specified range of applications.

Do not use a power tool whose on/off switch is damaged. A power tool that cannot be switched on or off is dangerous and must be repaired. We recommend that you contact WABROTECH service.

6. DRILL BITS

Remember not to exceed the recommended average drill bits according to the rating plate of the device. Please remember that working with a drill diameter corresponding to the maximum diameter supported by the device is working at the highest possible load – it is acceptable, but if it is necessary to work continuously or make a large number of boreholes, you should choose a drill with a larger operating range.

7. TYPES OF DRILL BITS

- **WT23RE** (HSS Metal Cylindrical Drill Bits NWKc, HSSCo Cylindrical Drill Bits, Tungsten Carbide Hole Saw).



- **WT23RE + WELDON chuck** (HSS Metal Drill Bits NWKc, HSSCo Cylindrical Drill Bits, Tungsten Carbide Hole Saw, Rail Twist Drill Bits, TCT Pipe Drill Bit for RAIL Rails, HSS Trepanation Cutters, TCT Trepanation Cutters).



- **WT23RE + WELDON chuck + tapping chuck** (HSS metal cylindrical drill bits NWKc, HSSCo cylindrical drill bits, tungsten carbide hole saw, rail twist drill bits, TCT tubular drill bit for RAIL rails, HSS trepanation cutters, TCT trepanation cutters, taps)



8. POWER SUPPLY

Before connecting the machine, make sure that the supply voltage corresponds to the rating on the plate. The power supply installation of the machine should be made with a copper wire with a minimum cross-section of at least 2.5 mm and should be routed through a C20 fuse. The power supply system must be equipped with a well-functioning protection system and must meet the requirements of the safety regulations of use.

Arrange the electrical cord so that it is not exposed to damage during operation. If it is necessary to use an extension cord, its length should be selected so that the excess does not interfere with the work. The extension cord should also be equipped with a protective cord. Do not switch off the plug by pulling on the power cord.

In the event of a power outage and the machine stops, it is mandatory to release the switch button and remove the plug from the socket. Once the causes of the power outage have been determined and the problem is resolved, you can continue to work. Do not leave the machine plugged in unattended. In the event of a break in operation or after an interruption, it is imperative to unplug the machine from the power socket.

9. TURNING ON THE MACHINE

The drill switch is located on the machine body.

Set the drill tip above the selected drilling point. Before you start drilling, check that the drill adheres firmly enough to the surface. The drill feed is carried out manually using the feed lever. To avoid overloading the magnetic drill or premature wear of the tool, apply appropriate pressure to the drill. After the drilling process is complete, remove the chips and/or the drill core in case of breakage. Cooling and lubrication during drilling should be adapted to the tool used.

Please note that the magnetic force disappears when the mains power is interrupted (when the power goes out, when the plug is pulled out of the socket). If you are drilling in a position other than vertical, use the included seat belt to attach the device.

In the event of a power outage, it is imperative that the machine operator switch off the device and remove the plug from the socket. Once the cause of the power outage has been determined and rectified, you can plug the plug back into the power outlet and resume operation.

Do not leave the machine plugged into the mains unattended. In the event of a break in operation or after a break in operation, it is imperative to disconnect the machine from the mains by removing the plug from the power socket.

10. CARBON BRUSHES

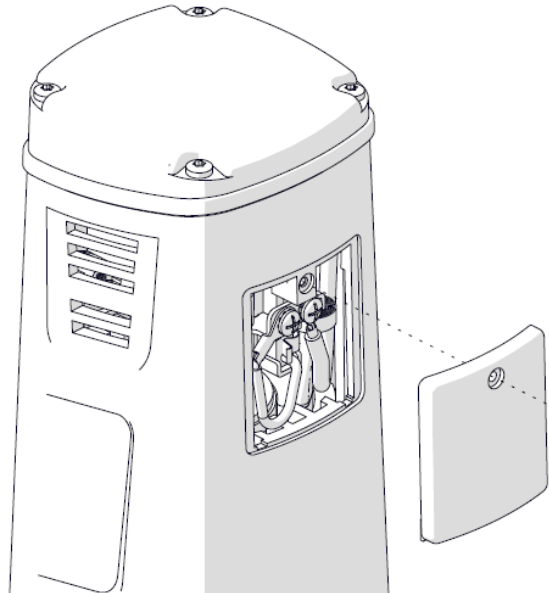
Carbon brushes are a normal wear part and must be replaced when they reach the wear limit. The machine is equipped with carbon brushes. If the machine stops unexpectedly, check the brushes.

Note: Always replace brushes in pairs

To replace brushes:

- Simply remove the brush caps and remove the old brushes.
- When replacing brushes with new ones (always replace them in pairs), make sure they are properly seated.

WARNING: All repairs must be referred to an authorized service center. Improperly performed repairs can lead to injury or death. We recommend that you contact WABROTECH service.



11. CLEARANCE ON THE GUIDES

Every 50 hours of operation, make sure that the guides are properly adjusted. To do this, move the motor up and down to make sure it moves smoothly.

To adjust the guides, you need to coat them with a thin layer of grease. Next, use a hex wrench to loosen the screws gently. Position the motor so that the slider is in the middle of the guides. Then tighten the screws slightly so that they touch the guide. Move the motor up and down, and adjust the screws so that the movement is smooth.



12. CONTROL ACTIVITIES

Perform the check with the plug unplugged from the socket.

Before starting the magnetic drill, check the condition of the working tool. Any defect or crack of the drill disqualifies the tool. New ones free of defects must be installed.

The device should be carefully cared for. It is necessary to check that the moving parts of the appliance function flawlessly and are not blocked, that the parts are not cracked or damaged, which could affect the proper functioning of the appliance. Have damaged parts repaired before using the appliance. Many accidents are caused by improper maintenance of power tools.

Check the condition of the electrographite brushes. If you find that they are shorter than 4 mm, replace them with new ones. Please note that the cutting residue of ceramic materials is corrosive. Do not leave the machine uncleaned at the end of work. This can lead to corrosion of individual components of the drill.

13. COMPATIBILITY

The magnetic drill is compatible with the following tools:

- Drill chuck weldon 19mm
- Thread Holder B18 M3-M16
- Drill chuck b16/3-16mm
- Coolant tank



Tool holder assembly instructions:

1. Slide the accessory into the tool slot. Push down until the handle is firmly seated in the tool slot. Gently pulling down, make sure there is no slack.



2. Knock out the tool with the wedge included in the kit. Insert the wedge into the hole above the tool slot. Hold the tool with one hand and gently hit the wedge with the other with a hammer. The tool will pop out of the slot and slide down. You can successfully move on to the installation of another tool.



Instructions for installing the refrigerant tank.

1. On the right or left side of the drill body, depending on the model, there is a place to mount a coolant tank. The tank is equipped with a hose, a nut, a tin handle and a cross-cut screw. Screw the tin handle directly onto the reservoir with the help of a screw. Connect the hose to the tank using the connector. Then place the tin holder with the tank on the two screws on the side of the drill body and use a screwdriver to tighten the screws.



13. TROUBLESHOOTING

Problem	Cause	Solution
The drill does not work	The power cable is badly connected or damaged	Push the plug deeper into the socket
		Check the power cable
	There is no mains voltage in the socket	Check the voltage at the outlet or if the fuse has tripped.
	Worn motor brushes	Replace the brushes with new ones
	Broken switch	Replace the switch with a new one
	Faulty PRCD residual current circuit breaker	Replace residual current circuit breaker
	Vibration	Check the condition of the drill bit or spindle.

DEFINICJE UŻYTYCH W INSTRUKCJI PIKTOGRAMÓW:



PRZECZYTAJ INSTRUKCJĘ



STOSUJ MASKI
PRZECIWPYŁOWE



UŻYWAJ ŚRODKÓW
OCHRONY OCZU



UWAGA!
STOSUJ UZIEMIENIE



Należy przestrzegać wskazówek
oznaczonych w tekście tym
symbolem!



Ostrzeżenie przed porażeniem
prądem elektrycznym



Ostrzeżenie związane z
ruchomymi elementami



Składować oddzielnie i
utylizować wg wskazań
zgodnych z normami ochrony
środowiska



Ostrzeżenie o zagrożeniu
wybuchem

1. WSKAZÓWKI BEZPIECZEŃSTWA



Ogólne wskazówki bezpieczeństwa dla elektronarzędzi

Należy przeczytać wszystkie wskazówki i przepisy. Błędy w przestrzeganiu poniższych wskazówek mogą spowodować porażenie prądem, pożar i/lub ciężkie obrażenia ciała. Należy starannie przechowywać wszystkie przepisy i wskazówki bezpieczeństwa dla dalszego zastosowania. Użyte w poniższym tekście pojęcie „elektonarzędzie“ odnosi się do elektronarzędzi zasilanych energią elektryczną z sieci (z przewodem zasilającym) i do elektronarzędzi zasilanych akumulatorami (bez przewodu zasilającego).

1. Bezpieczeństwo miejsca pracy

- A. Stanowisko pracy należy utrzymywać w czystości i dobrze oświetlone. Nieporządek w miejscu pracy lub nieoświetlona przestrzeń robocza mogą być przyczyną wypadków.
- B. Nie należy pracować tym elektronarzędziem w otoczeniu zagrożonym wybuchem, w którym znajdują się np. łatwopalne ciecze, gazy lub pyły. Podczas pracy elektronarzędziem wytwarzają się iskry, które mogą spowodować zapłon.
- C. Podczas użytkowania urządzenia należy zwrócić uwagę, aby dzieci i inne osoby postronne znajdowały się w bezpiecznej odległości. Odwrócenie uwagi może spowodować utratę kontroli nad narzędziem.

2. Bezpieczeństwo elektryczne

- A. Wtyczka elektronarzędzia musi pasować do gniazda. Nie wolno zmieniać wtyczki w jakikolwiek sposób. Nie wolno używać wtyków adapterowych w przypadku elektronarzędzi z uziemieniem ochronnym. Niezmienione wtyczki i pasujące gniazda zmniejszają ryzyko porażenia prądem.
- B. Należy unikać kontaktu z uziemionymi powierzchniami, takimi jak; rury, grzejniki, piece i lodówki. Ryzyko porażenia prądem jest większe, gdy ciało użytkownika jest uziemione.
- C. Urządzenie należy zabezpieczyć przed deszczem i wilgocią. Przedostanie się wody do elektronarzędzia podwyższa ryzyko porażenia prądem.

- D. Nigdy nie należy używać przewodu do innych czynności. Nigdy nie należy nosić elektronarzędzia trzymając je za przewód, ani używać przewodu do zawieszenia urządzenia. Nie wolno też wyciągać wtyczki z gniazdka pociągając za przewód. Przewód należy chronić przed wysokimi temperaturami, należy go trzymać z dala od oleju, ostrych krawędzi lub ruchomych części urządzenia. Uszkodzone lub splątane przewody zwiększają ryzyko porażenia prądem.
- E. W przypadku pracy elektronarzędziem pod gołym niebem, należy używać przewodu przedłużającego, dostosowanego również do zastosowań zewnętrznych. Użycie właściwego przedłużacza (dostosowanego do pracy na zewnątrz) zmniejsza ryzyko porażenia prądem.
- F. Jeżeli nie da się uniknąć zastosowania elektronarzędzia w wilgotnym otoczeniu, należy użyć wyłącznika ochronnego różnicowo-prądowego. Zastosowanie wyłącznika ochronnego różnicowo-prądowego zmniejsza ryzyko porażenia prądem.

3. Bezpieczeństwo osób

- A. Podczas pracy z elektronarzędziem należy zachować ostrożność, każdą czynność wykonywać uważnie i z rozważą. Nie należy używać elektronarzędzia, gdy jest się zmęczonym lub będąc pod wpływem narkotyków, alkoholu lub lekarstw. Moment nieuwagi przy użyciu elektronarzędzia może stać się przyczyną poważnych urazów ciała.
- B. Należy nosić osobiste wyposażenie ochronne oraz zawsze okulary ochronne. Noszenie osobistego wyposażenia ochronnego – maski przeciwpyłowej, obuwia z podeszwami przeciwpoślizgowymi, kasku ochronnego lub środków ochrony słuchu (w zależności od rodzaju i zastosowania elektronarzędzia) – zmniejsza ryzyko obrażeń ciała.
- C. Należy unikać niezamierzonego uruchomienia narzędzia. Przed włożeniem wtyczki do gniazdka i/lub podłączeniem do akumulatora, a także przed podniesieniem lub przeniesieniem elektronarzędzia, należy upewnić się, że elektronarzędzie jest wyłączone. Trzymanie palca na wyłączniku podczas przenoszenia elektronarzędzia lub podłączenie do prądu włączonego narzędzia, może stać się przyczyną wypadku.
- D. Przed włączeniem elektronarzędzia, należy usunąć narzędzia nastawcze lub klucze. Narzędzie lub klucz znajdujący się w ruchomych częściach urządzenia może doprowadzić do obrażeń ciała.
- E. Należy unikać nienaturalnych pozycji ciała podczas pracy. Należy dbać o stabilną pozycję przy pracy oraz zachowanie równowagi. W ten sposób możliwa będzie lepsza kontrola elektronarzędzia w nieprzewidzianych sytuacjach.
- F. Należy nosić odpowiednie ubranie. Nie należy nosić luźnego ubrania ani biżuterii. Włosy, ubranie i rękawice należy trzymać z daleka od ruchomych części narzędzia. Luźne ubranie, biżuteria lub długie włosy mogą zostać wciągnięte przez ruchome części i doprowadzić do wypadku.
- G. Jeżeli istnieje możliwość zamontowania urządzeń odsysających i wychwytyjących pył, należy upewnić się, że są one podłączone i będą prawidłowo użyte. Użycie urządzenia odsysającego może zmniejszyć zagrożenia płynące z wdychania pyłów.

4. Prawidłowa obsługa i eksploatacja elektronarzędzi

- A. Nie należy przeciążać urządzenia. Do pracy należy używać elektronarzędzi, które są do tego przeznaczone. Odpowiednio dobranym elektronarzędziem pracuje się w danym zakresie wydajności lepiej i bezpieczniej.
- B. Nie należy używać elektronarzędzia, którego włącznik/wyłącznik jest uszkodzony. Elektronarzędzie, którego nie można włączyć lub wyłączyć, jest niebezpieczne i musi zostać naprawione.

- C. Przed regulacją urządzenia, wymianą osprzętu lub po zaprzestaniu pracy narzędziem, należy wyciągnąć wtyczkę z gniazda i/lub usunąć akumulator. Ten środek ostrożności zapobiega niezamierzonemu włączeniu elektronarzędzia.
- D. Nieużywane elektronarzędzia należy przechowywać w miejscu niedostępnym dla dzieci. Nie należy udostępniać narzędzia osobom, które go nie znają lub nie przeczytały niniejszych przepisów. Elektronarzędzia używane przez niedoświadczonych osoby są niebezpieczne.
- E. Konieczna jest należyta konserwacja elektronarzędzia. Należy kontrolować, czy ruchome części urządzenia działają bez zarzutu i nie są zablokowane, czy części nie są pęknięte lub uszkodzone w sposób, który miałby wpływ na prawidłowe działanie elektronarzędzia. Uszkodzone części należy przed użyciem urządzenia oddać do naprawy. Wiele wypadków spowodowanych jest przez niewłaściwą konserwację elektronarzędzi.
- F. Elektronarzędzia, osprzęt, narzędzia pomocnicze itd. należy używać zgodnie z niniejszymi zaleceniami oraz przeznaczeniem. Uwzględnić należy przy tym warunki i rodzaj wykonywanej pracy. Niezgodne z przeznaczeniem użycie elektronarzędzia może doprowadzić do niebezpiecznych sytuacji.

5. Serwis

- B. Naprawę elektronarzędzia należy zlecić jedynie wykwalifikowanemu fachowcowi oraz przy użyciu oryginalnych części zamiennych. To gwarantuje, że bezpieczeństwo urządzenia zostanie zachowane. Rekomendujemy naprawy w autoryzowanym serwisie WABROTECH.

ZAGROŻENIE POŻAREM I WYBUCHEM



Znajdujące się w obszarze roboczym łatwopalne opary pochodzące z rozpuszczalników oraz farb mogą ulec zapłonowi lub eksplodować. Aby zapobiec wybuchowi pożaru lub eksplozji należy:

1. Unikać pracy w otoczeniu materiałów łatwopalnych i palnych w pobliżu otwartych płomieni albo źródeł zapłonu, np. papierosów, silników zewnętrznych i innych urządzeń elektrycznych.
2. Elektryczność statyczna stwarza ryzyko pożaru lub wybuchu w obecności oparów farby lub rozpuszczalnika.
3. Sprawdzić, czy wszystkie pojemniki i systemy zbiorcze są uziemione, aby zapobiec rozładowywaniu ładunków elektrostatycznych. Nie stosować okładzin kubła, jeżeli nie mają właściwości antystatycznych lub przewodzących.
4. Utrzymywać odpowiedni przepływ świeżego powietrza w tej przestrzeni.
5. Nie palić papierosów w obszarze pracy.
6. Nie korzystać w obszarze pracy z przetłaczników światła, silników lub podobnych produktów generujących iskry.
7. Obszar utrzymywać w czystości. Nie mogą się w nim znajdować łatwopalne materiały.
8. Zapoznać się ze wszystkimi kartami charakterystyki substancji niebezpiecznych (MSDS) oraz naklejkami na pojemnikach.
9. Na miejscu powinien znajdować się sprawny sprzęt gaśniczy.
10. Urządzenie generuje iskry. Jeżeli w urządzeniu lub w jego pobliżu jest używany łatwopalny płyn, należy utrzymywać urządzenie w odległości co najmniej 6m od wybuchowych oparów.

BEZPIECZEŃSTWO ELEKTRYCZNE



1. Wtyczki elektronarzędzi muszą pasować do gniazdek. Zabronione jest modyfikowanie wtyczki w jakikolwiek sposób. Nie podłączać żadnych przejściówek (adapterów) do uziemionych elektronarzędzi. Stosowanie niezmodyfikowanych wtyczek i dopasowanych gniazdek zmniejsza prawdopodobieństwo porażenia elektrycznego.
2. Uziemione narzędzia muszą być podłączone we właściwy sposób zainstalowanego i uziemionego gniazdka zgodnie ze wszystkimi normami i zarządzeniami. Zabronione jest usuwanie wtyku uziemiającego lub modyfikowanie wtyczki w jakikolwiek sposób. Nie używać jakichkolwiek przejściówek wtyczki. W razie wątpliwości, czy gniazdko jest należycie uziemione, należy skonsultować się z wykwalifikowanym elektrykiem. Jeśli praca elektronarzędzi zacznie przebiegać niewłaściwie lub się one zepsują, to uziemienie zapewnia drogę niskooporowego odprowadzenia elektryczności od użytkownika.
3. Unikać kontaktu ciała z powierzchniami uziemionymi, takimi jak rury, grzejniki, chłodziarki. Kiedy ciało użytkownika jest uziemione, zwiększa się prawdopodobieństwo porażenia elektrycznego.
4. Nie wystawiać elektronarzędzi na działanie deszczu lub wilgoci. Woda przedostająca się do elektronarzędzia zwiększa ryzyko porażenia prądem.
5. Kable używać zgodnie z przeznaczeniem. Nigdy nie używać okablowania do przenoszenia, przeciągania ani do odłączania elektronarzędzia z gniazdka. Trzymać kabel z dala od gorąca, oleju, ostrych krawędzi i od poruszających się części. Wymienić natychmiast uszkodzone przewody. Uszkodzone lub poplątane kable zwiększają ryzyko porażenia prądem.
6. Podczas stosowania elektronarzędzia na zewnątrz używać przedłużaczy dostosowanych do zastosowania na zewnątrz. Wykorzystanie przewodów dostosowanych do pracy na zewnątrz zmniejsza prawdopodobieństwo porażenia elektrycznego

ZAGROŻENIE ZWIĄZANE Z RUCHOMYMI CZĘŚCIAMI



Ruchove części mogą ścisnąć, skaleczyć lub obciąć palce oraz inne części ciała.



1. Nie zbliżać się do ruchomych części.
2. Nie obsługiwać sprzętu bez założonych osłon i pokryw zabezpieczających.
3. Sprzęt znajdujący się pod napięciem może uruchomić się bez ostrzeżenia. Przed sprawdzeniem, przeniesieniem lub serwisem sprzętu należy odłączyć wszystkie źródła zasilania.



ZAGROŻENIE ZWIĄZANE Z NIEWŁAŚCIWYM UŻYTKOWANIEM URZĄDZENIA

Niewłaściwe stosowanie sprzętu może prowadzić do śmierci lub kalectwa.

1. Podczas pracy należy zawsze korzystać z odpowiedniej osłony oczu i respiratora lub maski.
2. Nie wolno uruchamiać urządzenia lub wykonywać pracy w pobliżu dzieci. Utrzymywać dzieci z dala od urządzenia.
3. Nie wolno przekraczać normalnego zasięgu ani stawiać urządzenia na niestabilnym podłożu. Należy zachowywać dobrą postawę ciała i równowagę.
4. Należy utrzymywać koncentrację i skupić się na wykonywanej czynności.

5. Nie wolno pozostawiać bez nadzoru urządzenia podłączonego do zasilania. Gdy urządzenie nie jest używane, należy je wyłączyć i wykonać procedurę dekompresji.
6. Nie obsługiwać sprzętu w stanie zmęczenia, ani pod wpływem substancji odurzających lub alkoholu.
7. Nie wolno załamywać ani nadmiernie wyginać węża.
8. Nie wystawiać przewodu na działanie temperatury lub napięcia przekraczających wartości zalecanych przez firmę WABROTECH.
9. Nie wolno używać przewodu do przesuwania lub podnoszenia wyposażenia.

ŚRODKI OCHRONY OSOBISTEJ



W trakcie przebywania w obszarze roboczym należy nosić odpowiednie środki ochrony, co pomoże zapobiec poważnym urazom, w tym obrażeniom oczu, utracie słuchu, skutkom wdychania oparów toksycznych oraz oparzeniom.



Środki te obejmują między innymi: okulary ochronne, aparaty oddechowe, odzież ochronną i rękawice zgodne z zaleceniami producenta płynu oraz rozpuszczalnika.



W czasie operowania elektronarzędziami należy zachować czujność, uważać na to, co się robi i posługiwać się zdrowym rozsądkiem. Nie używać elektronarzędzi w stanie zmęczenia albo pod wpływem narkotyków, alkoholu lub leków. Chwila rozproszenia uwagi w czasie posługiwania się elektronarzędziami może skutkować poważnymi obrażeniami.

1. Stosować wyposażenie bezpieczeństwa. Zawsze używać okularów ochronnych. Środki zabezpieczające, takie jak maska przeciwpyłowa, nieślizgające się buty, kask czy ochraniacze na uszy, jeśli użyte we właściwy sposób, ograniczą obrażenia osobiste.
2. Unikać przypadkowego załączenia. Przed podłączeniem urządzenia upewnić się, że wyłącznik jest w położeniu OFF. Umieszczenie palca na wyłączniku w czasie przenoszenia lub podłączania do prądu urządzeń przy wyłączniku w pozycji ON zwiększa ryzyko wypadków.
3. Usunąć klucz regulujący przed włączeniem urządzenia. Klucz przyczepiony do obracającej się części narzędzia może spowodować obrażenia cielesne.
4. Nie wychylać się nadmiernie. Podczas pracy przyjąć stabilną pozycję. Dzięki temu zapewniona jest lepsza kontrola elektronarzędzia w przypadku nieoczekiwanych sytuacji.
5. Nosić odpowiedni strój. Nie nosić luźnych elementów odzieży lub biżuterii. Włosy, ubrania i rękawiczki utrzymywać z dala od poruszających się części. Luźne ubrania, biżuteria czy długie włosy mogą się zaczepić i utknąć w poruszających się częściach.
6. Jeśli dostarczone zostały przyrządy do ekstrakcji i zbierania pyłów, należy upewnić się, że są podłączone i używane we właściwy sposób. Użycie tych urządzeń może zmniejszyć ryzyko związane z pyłami.

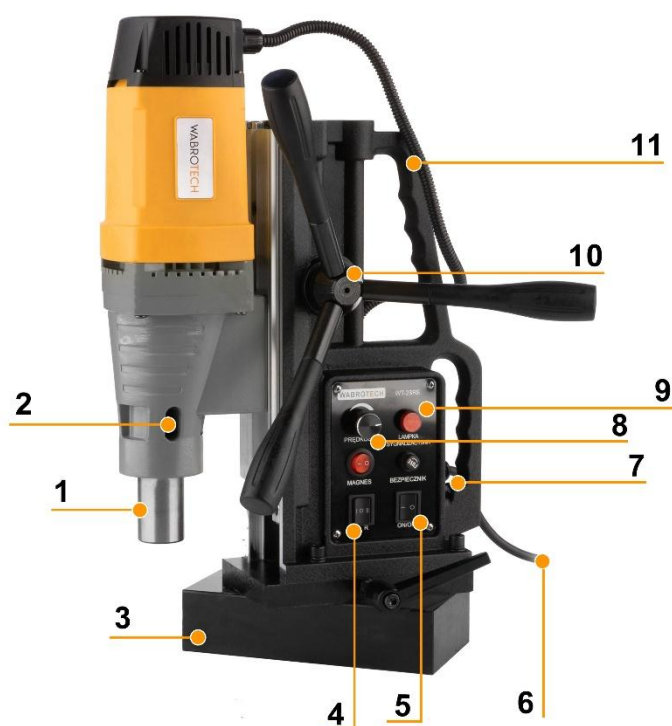
PODŁĄCZENIE DO ZASILANIA ELEKTRYCZNEGO



Napięcie sieciowe musi odpowiadać napięciu wskazanemu na tabliczce znamionowej urządzenia. W żadnym wypadku nie wolno używać narzędzia, jeśli kabel zasilający jest uszkodzony. Uszkodzony przewód musi być natychmiast wymieniony przez autoryzowane Centrum Obsługi Klienta. Nie próbować naprawiać uszkodzonego przewodu we własnym zakresie. Użycie uszkodzonych kabli zasilających może prowadzić do porażenia elektrycznego.

WAŻNE: używać tylko trójżyłowego przewodu przedłużającego, który ma wtyczkę uziemiającą z dwoma trzpieniami i otworem oraz gniazdo, do którego można będzie włożyć wtyczkę urządzenia z dwoma otworami i trzpieniem. Upewnić się, że przewód przedłużający jest w dobrym stanie. Używając przewodu przedłużającego, należy mieć pewność, że ma on parametry wystarczające do przewodzenia prądu, który może pobierać urządzenie. Przewód o zbyt słabych parametrach spowoduje spadek napięcia sieciowego, przez co wystąpią straty mocy i przegrzewanie się. Zaleca się użycie przewodu o przekroju 3 × 1,5 mm. Jeśli przewód przedłużający ma zostać użyty na zewnątrz, to po określeniu typu przewodu musi mieć oznaczenie W-A. Na przykład oznaczenie SJTW-A wskazywałoby, że przewód jest odpowiedni do wykorzystania na zewnątrz.

2. BUDOWA WT23RE



1	Uchwyt narzędziowy	Wrzeciono stożkowe MT2 (Możliwy montaż uchwytu Weldon 19mm, uchwytu do gwintowania B18 M3-M16, trzpienia MT2 B18, uchwytu szczękowego MT2/3-16 mm)
2	Wybijak	Gniazdo w którym należy wybijać uchwyty bądź wiertła.
3	Stopa magnetyczna	Pełna sprawność stopy magnetycznej przy grubości stali 10mm. Sprawność minimalna przy grubości stali 4mm. Wiertarka magnetyczna WT23RE posiada ruchomą stopę magnetyczną.
4	Przełącznik trybu pracy wiertarki	Pozycja 0 – wiertarka magnetyczna jest wyłączona Pozycja Drill – wiercenie Pozycja REV - gwintowanie
5	Przełącznik ON/OFF	Przełącznik elektryczny stopy magnetycznej. UWAGA! Przy wykonywaniu pracy należy w pierwszej kolejności włączyć stopę magnetyczną i zapewnić przyczepność maszynie.

6	Bezpiecznik	Bezpiecznik stopy magnetycznej.
7	Gniazdo zasilania	Informuje o włączeniu stopy magnetycznej.
8	Lampa kontrolna	Włączona informuje o zasilaniu wiertarki
9	Regulator obrotów	Z pomocą potencjometra reguluj obrotami pracy maszyny.
10	Dźwignia posuwu	Służy do regulacji położenia wrzeciona.
11	Rękojeść	Wspomaga transport wiertarki magnetycznej.

3. DANE TECHNICZNE

Model/moc silnika	WT 23RE/1880 W
Napięcie/częstotliwość/bezpiecznik	230 V/50 Hz/C20 (Sprawdź tabliczkę znamionową maszyny)
Stopień ochrony	II
Poziom hałasu	60-90 dB
Zakres średnic wiercenia	MAX wiertła rurowe – 50 mm MAX wiertła pełne – 23 mm
Maksymalna prędkość obrotowa	580 obrotów/min
Siła magnetyczna	13000N
Maksymalny skok roboczy	200 mm
Uchwyt narzędziowy	Uchwyt szczękowy MT2/3-16mm (Możliwy montaż uchwytu Weldon 19mm, uchwytu do gwintowania B18 M3-M16, trzpienia MT2 B18, uchwytu szczękowego MT2/3-16 mm)
Soft- start	TAK
Obroty wsteczne (funkcja gwintowania)	TAK M3-M16
Regulacja obrotów	TAK
Wymagana temperatura otoczenia	0- 40°C
Wymiary stopy magnetycznej	205 x 105 x 50 mm
Wymiary wiertarki	300 x 215 x 410 mm
Waga netto/brutto	19,5 / 30,5 kg

4. PRZEZNACZENIE WIERTARKI MAGNETYCZNEJ

Wiertarka magnetyczna nadaje się do wiercenia w materiałach ferromagnetycznych (np. stal), podczas wykonywania robót instalacyjnych, stoczniowych, mostowych, produkcji dźwigów, robót montażowych, ślusarskich, montażu konstrukcji stalowych itd.

Urządzenie nadaje się zarówno do wiercenia rdzeniowego jak i pełnego. Wiertarka posiada funkcję gwintowania przy włączeniu obrotów wstecznych. Z urządzenia można korzystać w położeniu poziomym, pionowym, jak również nad głową. Należy przy tym uważać, aby na przeniesienie magnetycznej siły trzymającej tak była dostępna wystarczająca powierzchnia i grubość (**min 10mm**) materiału ferromagnetycznego. Powierzchnia przylegania przedmiotu obrabianego z elektromagnesem powinna być płaska, nie może być jednak nieobrobiona. Należy usunąć rdzę i zgorzelinę, jak również lakier i warstwy masy szpachlowej z powierzchni obrabianego przedmiotu. Przy wierceniu w materiałach poniżej 10 mm należy pod obrabiany przedmiot podłożyć blachę stalową o odpowiedniej grubości, dzięki czemu

elektromagnes może przywierać do podłoża z większą siłą. Nigdy nie ustawiać wiertarek magnetycznych na materiałach izolujących (np. na drewnie, betonie itp.).

Prosimy o zwrócenie uwagi na to, że siła magnetyczna zanika przy przerwaniu zasilania sieciowego (przy zaniku prądu, wyciągnięciu wtyczki z gniazda), zalecamy, aby przytrzymywać wiertarkę zawsze pasem bezpieczeństwa.

Wiertarek magnetycznych nie można stosować na przedmiotach obrabianych w trakcie spawania z użyciem łuku elektrycznego. Prąd spawania mógłby doprowadzić do uszkodzenia maszyny.

5. OGRANICZENIA UŻYCIA

Elektronarzędzia, osprzęt, narzędzia itd. należy używać odpowiednio do tych przepisów i tak, jak jest to przewidziane dla tego specjalnego typu urządzenia. Uwzględnić należy przy tym warunki pracy i czynność do wykonania. Użycie elektronarzędzi do prac innych niż przewidziane może doprowadzić do niebezpiecznych sytuacji.

Maszyna może być użytkowana tylko i wyłącznie z wiertłami i uchwytyami opisanymi w niniejszej instrukcji.

Samowolne zmiany w budowie mechanicznej i elektrycznej, wszelkie modyfikacje, czynności obsługowe nieopisane w Instrukcji Obsługi będą traktowane za bezprawne i powodują natychmiastową utratę Praw Gwarancyjnych.

Nie należy przeciążać urządzenia. Do pracy należy używać elektronarzędzia, które jest do tego przewidziane. Odpowiednim narzędziem pracuje się lepiej i bezpieczniej w podanym zakresie zastosowań.

Nie należy używać elektronarzędzia, którego włącznik/wyłącznik jest uszkodzony. Elektronarzędzie, którego nie można włączyć lub wyłączyć jest niebezpieczne i musi zostać naprawione. Zalecamy kontakt z serwisem WABROTECH.

6. WIERTŁA

Należy pamiętać by nie przekraczać zalecanych średnic wiertel zgodnych z tablicą znamionową urządzenia. Proszę pamiętać, że praca średnicą wiertła odpowiadającą maksymalnej średnicy jaką obsługuje urządzenie to praca na najwyższym możliwym obciążeniu – jest dopuszczalna, ale jeśli zachodzi konieczność pracy ciągłej lub wykonywania dużej ilości odwiertów, należy dobrać wiertarkę o większym zakresie pracy.

7. RODZAJE WIERTEL

- **WT23RE** (wiertła walcowe HSS do metalu NWKc, wiertła walcowe HSSCo, otwornica widiowa z węgla wolframu).



- **WT23RE + uchwyt WELDON** (wiertła walcowe HSS do metalu NWKc, wiertła walcowe HSSCo, otwornica widiowa z węgliku wolframu, wiertła kręte do szyn, wiertło rurowe TCT do szyn RAIL, frezy trepanacyjne HSS, frezy trepanacyjne TCT).



- **WT23RE + uchwyt WELDON + uchwyt do gwintowania** (wiertła walcowe HSS do metalu NWKc, wiertła walcowe HSSCo, otwornica widiowa z węgliku wolframu, wiertła kręte do szyn, wiertło rurowe TCT do szyn RAIL, frezy trepanacyjne HSS, frezy trepanacyjne TCT, gwintowniki)



8. SIEĆ ZASILAJĄCA

Przed podłączeniem maszyny upewnić się, czy napięcie zasilania odpowiada podanej na tabliczce znamionowej wartości. Instalacja zasilająca maszynę powinna być wykonana przewodem miedzianym o minimalnym przekroju co najmniej 2,5 mm i powinna być poprowadzona poprzez bezpiecznik C20. Instalacja zasilająca musi być wyposażona w sprawnie działającą instalację ochronną i musi spełniać wymagania przepisów bezpieczeństwa użytkowania.

Przewód elektryczny ułożyć tak, aby w czasie pracy nie był narażony na uszkodzenie. W przypadku konieczności użycia przewodu przedłużającego należy tak dobrać jego długość, by nadmiar nie przeszkadzał w pracy. Przedłużacz także powinien być wyposażony w przewód ochronny. Nie wyłączać wtyczki, ciągnąc za kabel zasilający.

W przypadku przerwy w zasilaniu i zatrzymania się maszyny, należy obowiązkowo zwolnić przycisk wyłącznika i wyjąć wtyczkę z gniazdka. Po ustaleniu przyczyn zaniku zasilania i rozwiązaniu problemu można kontynuować pracę. Nie należy pozostawiać maszyny podłączonej do sieci bez dozoru. W przypadku przerwy w pracy lub po jej zakończeniu bezwzględnie odłączyć maszynę od sieci, wyjmując wtyczkę z gniazdka zasilającego.

9. WŁĄCZANIE MASZYNY

Włącznik wiertarki znajduje się na korpusie maszyny.

Ustawić wierzchołek wiertła nad zaznaczonym punktem wiercenia. Przed rozpoczęciem wiercenia sprawdzić, czy wiertarka wystarczająco mocno przywiera do powierzchni. Posuw wiertła następuje ręcznie za pomocą dźwigni posuwu. Celem uniknięcia przeciążenia wiertarki magnetycznej względnie przedwczesnego zużycia narzędzia należy zastosować odpowiedni nacisk na wiertło. Po zakończonym procesie wiercenia należy usunąć wióry i/lub rdzeń wiertła w razie pęknięcia. Chłodzenie i smarowanie w trakcie wiercenia należy dostosować do zastosowanego narzędzia.

Prosimy o zwrócenie uwagi na to, że siła magnetyczna zanika przy przerwaniu zasilania sieciowego (przy zaniku prądu, wyłączeniu wtyczki z gniazda). W przypadku wiercenia w innej pozycji niż pionowa należy użyć załączonego pasa bezpieczeństwa do przytrzczenia urządzenia.

W przypadku przerwy w zasilaniu operator maszyny bezwzględnie jest zobowiązany do wyłączenia urządzenia i wyjęcia wtyczki z gniazda. Po ustaleniu przyczyny przerwy w zasilaniu i jej usunięciu można ponownie włączyć wtyczkę do gniazda zasilającego i ponowić pracę.

Nie pozostawiać maszyny włączonej do sieci zasilającej bez dozoru. W przypadku przerwy w pracy lub po jej zakończeniu bezwzględnie odłączyć maszynę od sieci wyjmując wtyczkę z gniazda zasilającego.

10. SZCZOTKI WĘGLOWE

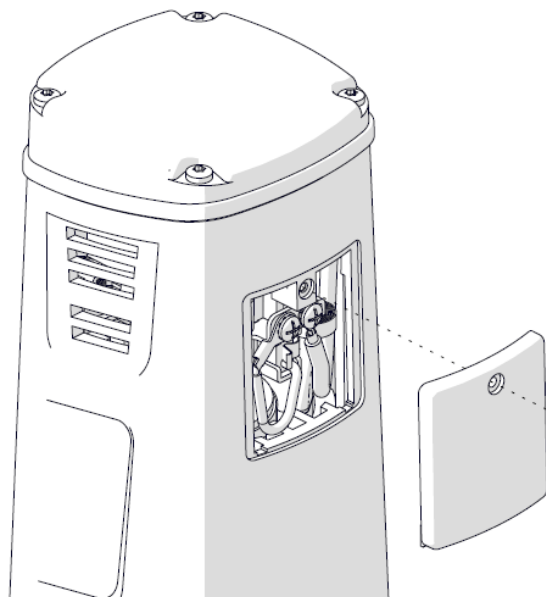
Szczotki węglowe są normalną częścią zużywalną i muszą być wymienione, gdy osiągną granicę zużycia. Maszyna jest wyposażona w szczotki węglowe. W przypadku niespodziewanego zatrzymania maszyny, należy sprawdzić szczotki.

Uwaga: Zawsze wymieniaj szczotki parami

Aby wymienić szczotki:

- Wystarczy zdjąć nasadki szczoteczek i wyjąć stare szczotki.
- Wymieniając szczotki na nowe (zawsze wymieniaj je parami), upewnij się, że są prawidłowo osadzone.

OSTRZEŻENIE: Wszystkie naprawy muszą zostać powierzone autoryzowanemu serwisowi. Nieprawidłowo wykonane naprawy mogą prowadzić do obrażeń lub śmierci. Zalecamy kontakt z serwisem WABROTECH.



11. KASOWANIE LUZU NA PROWADNICACH

Co 50 godzin pracy upewnić się, że prowadnice są wyregulowane właściwie. W tym celu przesunąć silnik w górę i w dół, aby upewnić się, że przesuwa się płynnie.

Aby wyregulować prowadnice, należy pokryć je cienką warstwą smaru. Następnie kluczem sześciokątnym poluzować delikatnie śruby. Ustawić silnik tak, aby suwak był w środku prowadnic. Następnie lekko dokręcić śruby, aby dotknęły prowadnicy. Przesunąć silnik w górę i w dół, i wyregulować śruby tak, aby przesuw był płynny.



12. CZYNNOŚCI KONTROLNE

Czynności kontrolne należy wykonywać przy wyjętej z gniazdka wtyczce.

Przed uruchomieniem wiertarki magnetycznej należy sprawdzić stan narzędzia roboczego. Każdy ubytek, pęknięcie wiertła dyskwalifikuje narzędzie. Należy zamontować nowe wolne od wad.

Urządzenie należy pieczołowicie pielęgnować. Należy kontrolować, czy ruchome części urządzenia funkcjonują bez zarzutu i nie są zablokowane, czy części nie są popękane lub uszkodzone, co mogłoby mieć wpływ na prawidłowe funkcjonowanie urządzenia. Uszkodzone części należy przed użyciem urządzenia oddać do naprawy. Wiele wypadków spowodowanych jest przez niewłaściwą konserwację elektronarzędzi.

Kontrolować stan szczotek elektrografitowych. W przypadku stwierdzenia, że są krótsze niż 4 mm należy wymienić je na nowe. Należy pamiętać, że pozostałości cięcia materiałów ceramicznych są korozyjne. Nie pozostawiać maszyny nie oczyszczonej w momencie zakończenia pracy. Może to doprowadzić do korozji poszczególnych elementów wiertarki.

13. KOMPATYBILNOŚĆ

Wiertarka magnetyczna jest kompatybilna z następującymi narzędziami:

- Uchwyt wiertarski weldon 19mm

- Uchwyt do gwintowania B18 M3-M16
- Uchwyt wiertarski b16/3-16mm
- Zbiornik na chłodziwo



Instrukcja montażu uchwytów narzędziowych:

1. Wsuń osprzęt w gniazdo narzędziowe. Dociśnij do oporu aż uchwyt pewnie osiadnie w gnieździe narzędziowym. Delikatnie pociągając w dół upewnij się że nie ma luzów.



2. Wybij narzędzie z pomocą klina załączonym do zestawu. Włóż klin w otwór nad gniazdem narzędziowym. Jedną ręką podtrzymaj narzędzie a drugą przy użyciu młotka uderz delikatnie w klin. Narzędzie wybij się z gniazda i wysunie w dół. Z powodzeniem można przejść do montażu innego narzędzia.



Instrukcja montażu zbiornika na chłodziwo.

1. Na prawej bądź lewej stronie korpusu wiertarki w zależności od modelu jest miejsce do montażu zbiornika na chłodziwo. Zbiornik wyposażony jest w wężyk, nakrętkę, blaszany uchwyt i śrubę z nacięciem krzyżowym. Blaszany uchwyt przykręć z pomocą śruby bezpośrednio do zbiorniczka. Wężyk podłączyć za pomocą złącza do zbiornika. Następnie nałóż blaszany uchwyt ze zbiornikiem na dwie śruby u boku korpusu wiertarki i przy pomocy śrubokrętu dokręć śruby.



13. ROZWIĄZYWANIE PROBLEMÓW

Problem	Przyczyna	Rozwiązanie
Wiertarka nie działa	Kabel zasilający jest źle podłączony lub uszkodzony	Wcisnąć głębiej wtyczkę do gniazdka Sprawdź kabel zasilający
	W gniazdku nie ma napięcia sieciowego	Sprawdź napięcie w gniazdku lub czy nie zadziałał bezpiecznik
	Zużyte szczotki silnika	Wymień szczotki na nowe

	Uszkodzony włącznik	Wymień włącznik na nowy
	Uszkodzony wyłącznik różnicowoprądowy PRCD	Wymień włącznik różnicowoprądowy
	Drgania	Sprawdź stan wiertła lub wrzeciona.

DEFINITIONEN DER IN DER ANLEITUNG VERWENDETEN PIKTOGRAMME:



HANDBUCH LESEN



STAUBMASKEN VERWENDEN



AUGENSCHUTZ VERWENDEN



BEMERKUNG! ERDUNG
VERWENDEN



Bitte beachten Sie die mit
diesem Symbol im Text
gekennzeichneten
Anfahrtsbeschreibungen!



Warnung vor elektrischem
Schlag



Warnung vor beweglichen
Teilen



Getrennt lagern und
umweltgerecht entsorgen



Warnung vor Explosionsgefahr

1. SICHERHEITSTIPPS



Allgemeine Sicherheitsanweisungen für Elektrowerkzeuge

Lies alle Tipps und Rezepte. Das Nichtbefolgen der untenstehenden Anweisungen kann zu Elektroschocks, Feuer und/oder schweren Personenschäden führen. Bewahren Sie alle Vorschriften und Sicherheitsanweisungen sorgfältig auf, um sie weiter zu lesen. Wie im untenstehenden Text verwendet, bezeichnet der Begriff "Elektrowerkzeug" Elektrowerkzeuge, die mit Netzstrom (mit Stromkabel) betrieben werden, und Elektrowerkzeuge, die mit Batterien (ohne Stromkabel) betrieben werden.

1. Arbeitssicherheit

- A. Die Arbeitsstation sollte sauber und gut beleuchtet gehalten werden. Unordnung am Arbeitsplatz oder ein unbeleuchteter Arbeitsplatz kann Unfälle verursachen.
- B. Betreiben Sie dieses Elektrowerkzeug nicht in potenziell explosiven Umgebungen wie brennbaren Flüssigkeiten, Gasen oder Staub. Beim Betrieb des Elektrowerkzeugs entstehen Funken, die eine Zündung verursachen können.
- C. Bei der Nutzung des Geräts muss darauf geachtet werden, dass Kinder und andere Unbeteiligte auf sicheren Abstand gehalten werden. Ablenkung kann dazu führen, dass du die Kontrolle über das Werkzeug verlierst.

2. Elektrische Sicherheit

- A. Der Elektrowerkzeugstecker muss in die Steckdose passen. Verändern Sie den Stecker in keiner Weise. Verwende keine Adapterstecker für Elektrowerkzeuge mit Schutzanschluss. Unveränderte Stecker und passende Steckdosen verringern das Risiko eines elektrischen Schlags.
- B. Vermeiden Sie Kontakt mit geerdeten Oberflächen wie; Rohre, Heizkörper, Herde und Kühlschränke. Das Risiko eines elektrischen Stromschlags ist größer, wenn der Körper des Nutzers geerdet ist.
- C. Das Gerät muss vor Regen und Feuchtigkeit geschützt sein. Wasser, das ins Elektrowerkzeug eindringt, erhöht das Risiko eines elektrischen Schlags.

- D. Benutze das Kabel niemals für andere Aktivitäten. Trage das Elektrowerkzeug niemals am Kabel oder benutze das Kabel, um das Elektrowerkzeug aufzuhängen. Ziehen Sie auch nicht den Stecker aus der Steckdose, indem Sie am Kabel ziehen. Das Kabel sollte vor hohen Temperaturen geschützt sein und Öl, scharfe Kanten oder bewegliche Teile des Geräts vermeiden. Beschädigte oder verhedderte Drähte erhöhen das Risiko eines elektrischen Schlags.
- E. Wenn Sie das Elektrowerkzeug im Freien bedienen, verwenden Sie ein Verlängerungskabel, das auch für den Außeneinsatz geeignet ist. Die Verwendung des richtigen Verlängerungskabels (geeignet für den Außeneinsatz) verringert das Risiko eines elektrischen Stromschlags.
- F. Wenn das Elektrowerkzeug nicht in feuchten Umgebungen verwendet werden kann, verwenden Sie einen Reststromschutzschalter. Der Einsatz eines Reststromschutzschalters verringert das Risiko eines elektrischen Stromschlags.

3. Persönliche Sicherheit

- A. Wenn Sie mit einem Elektrowerkzeug arbeiten, seien Sie vorsichtig und führen Sie jede Handlung sorgfältig und vorsichtig aus. Benutzen Sie das Elektrowerkzeug nicht, wenn Sie müde oder unter Einfluss von Drogen, Alkohol oder Medikamenten stehen. Ein Moment der Unaufmerksamkeit beim Einsatz eines Elektrowerkzeugs kann schwere Personenschäden verursachen.
- B. Tragen Sie jederzeit persönliche Schutzausrüstung und Schutzbrillen. Das Tragen persönlicher Schutzausrüstung – Staubmaske, Slip-on-Schuhe, Schutzhelm oder Gehörschutz (je nach Art und Nutzung des Elektrowerkzeugs) – verringert das Risiko von Personenverletzungen.
- C. Vermeide es, das Werkzeug unbeabsichtigt zu starten. Bevor Sie den Stecker in die Steckdose stecken und/oder ihn an das Batteriepack anschließen, sowie bevor Sie das Elektrowerkzeug aufheben oder bewegen, stellen Sie sicher, dass das Elektrowerkzeug ausgeschaltet ist. Wenn Sie den Finger am Schalter halten, wenn Sie das Elektrowerkzeug tragen oder das Elektrowerkzeug an das Netzteil anschließen, kann das zu einem Unfall führen.
- D. Bevor Sie das Elektrowerkzeug einschalten, entfernen Sie die Stellwerkzeuge oder Schraubenschlüssel. Ein Werkzeug oder Schraubenschlüssel in beweglichen Teilen des Geräts kann zu Personenschäden führen.
- E. Unnatürliche Körperhaltungen sollten während der Arbeit vermieden werden. Sie sollten eine stabile Arbeitsposition einnehmen und das Gleichgewicht halten. So ist es möglich, das Elektrowerkzeug in unvorhergesehenen Situationen besser zu steuern.
- F. Geeignete Kleidung sollte getragen werden. Tragen Sie keine weite Kleidung oder Schmuck. Halten Sie Haare, Kleidung und Handschuhe von beweglichen Teilen des Werkzeugs fern. Lockere Kleidung, Schmuck oder langes Haar kann von beweglichen Teilen eingerissen werden und zu einem Unfall führen.
- G. Wenn es möglich ist, Staubabsaug- und Sammelgeräte zu installieren, stellen Sie sicher, dass sie korrekt angeschlossen und verwendet werden. Der Einsatz eines Extraktionsgeräts kann das Risiko des Einatmens von Staub verringern.

4. Ordnungsgemäßer Betrieb und Bedienung von Elektrowerkzeugen

- A. Überlasten Sie das Gerät nicht. Verwenden Sie Elektrowerkzeuge, die für diesen Zweck entwickelt wurden. Mit dem richtigen Elektrowerkzeug können Sie in einem gegebenen Leistungsbereich besser und sicherer arbeiten.
- B. Benutzen Sie kein Elektrowerkzeug, dessen Ein-/Ausschalter beschädigt ist. Ein Elektrowerkzeug, das nicht ein- oder ausgeschaltet werden kann, ist gefährlich und muss repariert werden.

- C. Bevor Sie das Gerät einstellen, Zubehör wechseln oder das Werkzeug stoppen, nehmen Sie den Stecker aus der Steckdose und/oder nehmen Sie die Batterie heraus. Diese Vorsichtsmaßnahme verhindert, dass das Elektrowerkzeug versehentlich eingeschaltet wird.
- D. Wenn sie nicht verwendet werden, halten Sie Elektrowerkzeuge außerhalb der Reichweite von Kindern. Teilen Sie das Tool nicht mit jemandem, der damit nicht vertraut ist oder diese Bestimmungen nicht gelesen hat. Elektrowerkzeuge, die von Unerfahrenen verwendet werden, sind gefährlich.
- E. Eine ordnungsgemäße Wartung des Elektrowerkzeugs ist notwendig. Überprüfen Sie, ob die beweglichen Teile des Elektrowerkzeugs einwandfrei funktionieren und nicht blockiert sind, dass die Teile nicht beschädigt oder beschädigt sind, sodass die ordnungsgemäße Funktion des Werkzeugs beeinträchtigt wird. Lass beschädigte Teile vor der Nutzung des Geräts reparieren. Viele Unfälle werden durch unsachgemäße Wartung von Elektrowerkzeugen verursacht.
- F. Verwenden Sie Elektrowerkzeuge, Zubehör, Hilfswerkzeuge usw. gemäß diesen Anweisungen und der vorgesehenen Nutzung. Die Bedingungen und die Art der geleisteten Arbeit sollten berücksichtigt werden. Falscher Gebrauch des Elektrowerkzeugs kann zu gefährlichen Situationen führen.

5. Dienst

- A. Lassen Sie das Elektrowerkzeug nur von einem qualifizierten Fachmann reparieren und verwenden Sie Originalersatzteile. Dies stellt sicher, dass die Sicherheit des Geräts gewährleistet bleibt. Wir empfehlen Reparaturen bei einem autorisierten WABROTECH-Service.

BRAND- UND EXPLOSIONSGEFAHR



Brandbare Dämpfe von Lösungsmitteln und Farben im Arbeitsbereich können entzünden oder explodieren. Um ein Feuer oder eine Explosion zu verhindern, sollten Sie:

1. Vermeiden Sie es, in der Nähe brennbarer und brennbarer Materialien in der Nähe offener Flammen oder Zündquellen wie Zigaretten, externer Motoren und anderer elektrischer Geräte zu arbeiten.
2. Statische Elektrizität birgt ein Brand- oder Explosionsrisiko in Anwesenheit von Farb- oder Lösungsmitteldämpfen.
3. Überprüfen Sie, ob alle Behälter und Sammelsysteme geerdet sind, um eine statische Entladung zu verhindern. Verwenden Sie keine Eimerauskleidungen, es sei denn, sie haben antistatische oder leitfähige Eigenschaften.
4. Sorgen Sie für einen ausreichenden Luftstrom in diesem Raum.
5. Rauchen Sie keine Zigaretten im Arbeitsbereich.
6. Verwenden Sie keine Lichtschalter, Motoren oder ähnliche Funkenprodukte im Arbeitsbereich.
7. Halte den Bereich sauber. Es darf keine brennbaren Materialien enthalten.
8. Beziehen Sie sich auf alle Sicherheitsdatenblätter (MSDS) und Aufkleber auf Containern.
9. Vor Ort sollte funktionierende Feuerwehrausrüstung vorhanden sein.
10. Das Gerät erzeugt Funken. Wenn brennbare Flüssigkeit im oder in der Nähe des Geräts verwendet wird, halten Sie das Gerät mindestens 6 m von explosiven Dämpfen entfernt.

ELEKTRISCHE SICHERHEIT



1. Elektrowerkzeugstecker müssen in die Steckdosen passen. Es ist verboten, das Plugin in irgendeiner Weise zu verändern. Schließen Sie keine Adapter an geerdete Elektrowerkzeuge an. Die Verwendung unveränderter Stecker und passender Steckdosen verringert die Wahrscheinlichkeit eines elektrischen Stromschlags.
2. Geerdete Werkzeuge müssen gemäß allen Standards und Vorschriften ordnungsgemäß an eine installierte und geerdete Steckdose angeschlossen werden. Es ist verboten, den Erdungsstecker zu entfernen oder ihn in irgendeiner Weise zu verändern. Verwende keine Steckdosen-Adapter. Wenn Sie unsicher sind, ob die Steckdose richtig geerdet ist, konsultieren Sie einen qualifizierten Elektriker. Wenn die Elektrowerkzeuge zu versagen oder kaputtgehen, bietet diese Erdung eine widerstandsarme Möglichkeit, Strom vom Benutzer abzuleiten.
3. Vermeiden Sie Körperkontakt mit geerdeten Oberflächen wie Rohren, Heizungen oder Kühlschränken. Wenn der Körper des Nutzers geerdet ist, steigt die Wahrscheinlichkeit eines elektrischen Schlags.
4. Setzen Sie Elektrowerkzeuge weder Regen noch Feuchtigkeit aus. Wasser, das ins Elektrowerkzeug eindringt, erhöht das Risiko eines elektrischen Schlags.
5. Verwenden Sie die Kabel wie vorgesehen. Verwenden Sie niemals Kabel, um das Elektrowerkzeug aus der Steckdose zu tragen, zu ziehen oder auszustecken. Halte das Kabel fern von Hitze, Öl, scharfen Kanten und beweglichen Teilen. Ersetzen Sie beschädigte Kabel sofort. Beschädigte oder verhedderte Kabel erhöhen das Risiko eines elektrischen Schlags.
6. Wenn Sie das Elektrowerkzeug im Freien verwenden, verwenden Sie Verlängerungskabel, die für den Außeneinsatz geeignet sind. Die Verwendung von Kabeln, die für den Außeneinsatz angepasst sind, verringert die Wahrscheinlichkeit von elektrischen Schocks

GEFAHR BEWEGLICHER TEILE



Bewegliche Teile können deine Finger und andere Körperteile komprimieren, schneiden oder schneiden.



1. Halte dich von beweglichen Teilen fern.
2. Benutzen Sie die Ausrüstung nicht ohne Schutzabdeckungen und Abdeckungen.
3. Laufende Geräte können ohne Vorwarnung starten. Trennen Sie alle Stromquellen, bevor Sie die Geräte inspizieren, umziehen oder warten.



GEFAHR UNSACHGEMÄßER NUTZUNG DES GERÄTS

Eine unsachgemäße Nutzung der Ausrüstung kann zum Tod oder zur Behinderung führen.

1. Tragen Sie beim Arbeiten immer einen geeigneten Augenschutz sowie eine Atemschutzmaske oder Maske.
2. Starten Sie das Gerät nicht und führen Sie keine Arbeiten in der Nähe von Kindern durch. Unterstützung von Kindern
weg vom Gerät.
3. Überschreiten Sie den normalen Bereich nicht und stellen Sie das Gerät nicht auf instabilen Boden. Eine gute Haltung und ein gutes Gleichgewicht sollten aufrechterhalten werden.

4. Du solltest dich konzentrieren und dich auf die aktuelle Aktivität konzentrieren.
5. Lassen Sie das Gerät nicht unbeaufsichtigt an die Stromversorgung angeschlossen. Wenn das Gerät nicht verwendet wird, schalten Sie es aus und führen Sie das Dekompressionsverfahren durch.
6. Benutzen Sie die Ausrüstung nicht, wenn Sie müde oder unter Einfluss von Drogen oder Alkohol stehen.
7. Knicken oder überbiegen Sie den Schlauch nicht.
8. Setzen Sie das Kabel nicht Temperaturen oder Spannungen aus, die die von WABROTECH empfohlenen Werte überschreiten.
9. Benutzen Sie das Seil nicht, um Geräte zu bewegen oder zu heben.

PERSÖNLICHE SCHUTZAUSRÜSTUNG



Tragen Sie im Arbeitsbereich geeignete Schutzausrüstung, um schwere Verletzungen wie Augenverletzungen, Hörverlust, Einatmen von giftigen Dämpfen und Verbrennungen vorzubeugen.



Zu diesen Maßnahmen gehören unter anderem Schutzbrillen, Atemschutzgeräte, Schutzkleidung und Handschuhe gemäß den Empfehlungen des Herstellers von Flüssigkeit und Lösungsmittel.



Beim Umgang mit Elektrowerkzeugen sollten Sie wachsam sein, vorsichtig sein und gesunden Menschenverstand verwenden. Benutzen Sie keine Elektrowerkzeuge, wenn Sie müde sind oder unter dem Einfluss von Drogen, Alkohol oder Medikamenten. Ein Moment der Ablenkung beim Benutzen eines Elektrowerkzeugs kann zu schweren Verletzungen führen.

1. Verwenden Sie Sicherheitsausrüstung. Trage immer eine Schutzbrille. Schutzmaßnahmen wie eine Staubmaske, rutschfeste Schuhe, Helm oder Gehörschutz begrenzen bei korrekter Anwendung Personenschäden.
2. Vermeiden Sie versehentliche Einbeziehungen. Bevor Sie das Gerät anschließen, stellen Sie sicher, dass der Schalter in der AUS-Position steht. Wenn Sie beim Tragen oder Einstecken von Geräten mit dem Schalter in ON-Position den Finger auf den Leistungsschalter legen, erhöht das Unfallrisiko.
3. Entfernen Sie die Einstelltaste, bevor Sie das Gerät einschalten. Ein Schraubenschlüssel, der an einem rotierenden Teil des Werkzeugs befestigt ist, kann Personenschäden verursachen.
4. Lehnen Sie sich nicht zu sehr hinaus. Nehmen Sie während des Betriebs eine stabile Position ein. Dies gewährleistet eine bessere Kontrolle über das Elektrowerkzeug im Fall unerwarteter Situationen.
5. Tragen Sie angemessene Kleidung. Tragen Sie keine lockeren Kleidungsstücke oder Schmuck. Halten Sie Haare, Kleidung und Handschuhe von beweglichen Teilen fern. Lockere Kleidung, Schmuck oder langes Haar kann sich verfangen und in beweglichen Teilen stecken bleiben.
6. Wenn Staubabsaug- und Sammelinstrumente vorhanden sind, stellen Sie sicher, dass sie korrekt angeschlossen und verwendet werden. Der Einsatz dieser Geräte kann das Risiko von Staub verringern.

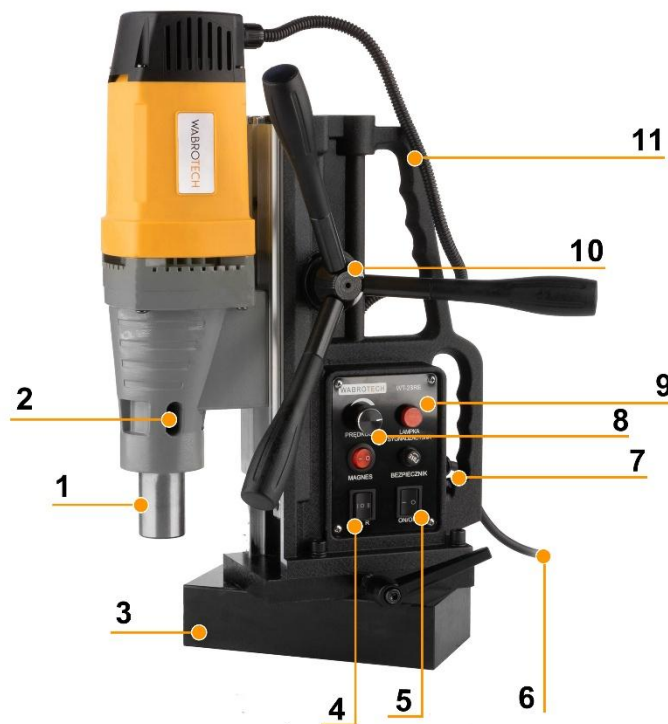
ANSCHLUSS AN DIE STROMVERSORGUNG



Die Netzspannung muss der auf der Bewertungstafel des Geräts angegebenen Spannung entsprechen. Unter keinen Umständen darf das Werkzeug verwendet werden, wenn das Stromkabel beschädigt ist. Ein beschädigtes Kabel muss sofort von einem autorisierten Kundenservice-Center ersetzt werden. Versuchen Sie nicht, das beschädigte Kabel selbst zu reparieren. Die Verwendung beschädigter Stromkabel kann zu elektrischen Schocks führen.

WICHTIG: Verwenden Sie nur ein dreiadriges Verlängerungskabel, das einen Erdungsstecker mit zwei Pins, einem Loch und einer Steckdose hat, in die Sie den Gerätestecker mit zwei Löchern und einem Stiel stecken können. Stelle sicher, dass das Verlängerungskabel in gutem Zustand ist. Wenn Sie ein Verlängerungskabel verwenden, sollten Sie sicherstellen, dass es genügend Parameter hat, um den Strom zu führen, den das Gerät ziehen kann. Ein Kabel mit zu schlechten Parametern führt zu einem Rückgang der Netzspannung, was zu Leistungsverlust und Überhitzung führt. Es wird empfohlen, ein Kabel mit einem Querschnitt von 3 × 1,5 mm zu verwenden. Wenn das Verlängerungskabel im Freien verwendet werden soll, muss es nach Angabe des Kabeltyps mit W-A markiert werden. Zum Beispiel würde die Bezeichnung SJTW-A anzeigen, dass das Kabel für den Außeneinsatz geeignet ist.

2. BAU DER WT23RE



1	Werkzeughalter	MT2-Kegelspindel (19 mm Weldon-Chuck, B18 M3-M16 Gewinde-Chuck, MT2 B18 Mandrel, MT2/3-16 mm Kieferchuck montiert)
2	Punch	Eine Stecknuss, in der Griffe oder Bohrer herausgeschlagen werden sollten.
3	Magnetischer Fuß	Volle Effizienz der magnetischen Legierung mit einer Stahldicke von 10 mm. Minimale Effizienz mit einer Stahldicke von 4 mm. Der Magnetbohrer WT23RE hat einen beweglichen Magnetfuß.
4	Bohrmodus-Schalter	Position 0 – Magnetbohrer OffDrill Position – BohrerREV Position – Gewinde

5	EIN/AUS-Schalter	Elektroschalter aus magnetischer Legierung. ACHTUNG! Beim Arbeiten muss zuerst der magnetische Fuß eingeschaltet werden und die Maschine sollte kompetent sein.
6	Sicherung	Magnetische Fußsicherung.
7	Steckdose	Es zeigt an, wann der magnetische Fuß eingeschaltet wird.
8	Indikatorlampe	On informiert über die Stromversorgung des Bohrers
9	Geschwindigkeitsregler	Benutze das Potentiometer, um die Geschwindigkeit der Maschine einzustellen.
10	Zuführhebel	Er wird verwendet, um die Position der Spindel zu verstellen.
11	Handle	Unterstützt den Transport des Magnetbohrers.

3. TECHNISCHE Daten

Motormodell/Leistung	WT 23RE/1880 W
Spannung/Frequenz/Sicherung	230V/50Hz/C20 (Prüfe den Maschinennamen)
Schutzgrad	II
Lärmpegel	60-90 dB
Bohrdurchmesserbereich	MAX Rohrbohrer – 50 mm MAX Massivbohrer – 23 mm
Maximale Drehzahl	580 U/min
Magnetische Kraft	13000N
Maximaler Arbeitshub	200 mm
Werkzeughalter	MT2/3-16mm Kieferchuck (19mm Weldon-Chuck, B18 M3-M16 Gewindechuck, MT2 B18 Mandrel, MT2/3-16mm Backchuck kann montiert werden)
Softstart	JA
Umgekehrte Rotation (Gewindefunktion)	JA M3-M16
Geschwindigkeitsregelung	JA
Erforderliche Umgebungstemperatur	0 – 40°C
Magnetische Fußmaße	205 x 105 x 50 mm
Bohrmaße	300 x 215 x 410 mm
Netto-/Bruttogewicht	19,5 / 30,5 kg

4. ZWECK DES MAGNETBOHRERS

Die magnetische Bohrmaschine eignet sich zum Bohren in ferromagnetischen Materialien (z. B. Stahl), während der Installation, beim Schiffbau, beim Brückenbau, in der Kranproduktion, bei der Montage, bei Schlosserarbeiten, beim Zusammenbau von Stahlkonstruktionen usw.

Das Gerät eignet sich sowohl für das Kernbohren als auch für das vollständige Bohren. Der Bohrer verfügt über eine Gewindefunktion, wenn der Rückwärtsgang aktiviert ist. Das Gerät kann in horizontaler, vertikaler und über dem Kopf eingesetzt werden. Es sollte darauf geachtet werden, dass genügend Oberfläche und Dicke (**mindestens 10 mm**) ferromagnetisches Material zur Verfügung stehen, um die magnetische Haltekraft zu übertragen. Die Kontaktfläche des Werkstücks mit dem Elektromagneten sollte eben sein, aber sie darf nicht unbehandelt sein. Rost und Kalk sowie Lack und Schichten aus

Spachtel müssen von der Oberfläche des Werkstücks entfernt werden. Beim Bohren in Materialien unter 10 mm muss eine Stahlplatte mit entsprechender Dicke unter das Werkstück gelegt werden, damit der Elektromagnet mit größerer Kraft am Substrat haften kann. Setzen Sie niemals Magnetbohrer auf Isoliermaterialien (z. B. Holz, Beton usw.).

Bitte beachten Sie, dass die magnetische Kraft verschwindet, wenn der Strom unterbrochen wird (wenn der Strom ausfällt, wenn der Stecker aus der Steckdose gezogen wird). Wir empfehlen, die Bohrmaschine immer mit Sicherheitsgurt zu halten.

Magnetbohrer dürfen während des Lichtbogenschweißens nicht an Werkstücken verwendet werden. Der Schweißstrom könnte zu Schäden an der Maschine führen.

5. NUTZUNGSBESCHRÄNKUNGEN

Elektrowerkzeuge, Zubehör, Werkzeuge usw. müssen gemäß diesen Vorschriften und wie vorgesehen für diesen speziellen Gerätetyp verwendet werden. Die Arbeitsbedingungen und die auszuführenden Aktivitäten sollten berücksichtigt werden. Der Einsatz von Elektrowerkzeugen für andere Arbeiten als die vorgesehenen kann zu gefährlichen Situationen führen.

Die Maschine darf nur mit den in diesem Handbuch beschriebenen Bohrer und Chucks verwendet werden.

Willkürliche Änderungen an der mechanischen und elektrischen Konstruktion, jegliche Änderungen oder Wartungsarbeiten, die nicht im Betriebshandbuch beschrieben sind, gelten als rechtswidrig und führen zum sofortigen Verlust der Garantierechte.

Überlasten Sie das Gerät nicht. Verwenden Sie ein Elektrowerkzeug, das für diesen Zweck bereitgestellt wird. Das richtige Werkzeug macht es einfacher und sicherer, mit dem vorgegebenen Anwendungsbereich zu arbeiten.

Benutzen Sie kein Elektrowerkzeug, dessen Ein-/Ausschalter beschädigt ist. Ein Elektrowerkzeug, das nicht ein- oder ausgeschaltet werden kann, ist gefährlich und muss repariert werden. Wir empfehlen Ihnen, den WABROTECH Service zu kontaktieren.

6. BOHRABSCHNITTE

Denken Sie daran, die empfohlenen Durchschnittdurchmesser gemäß dem Bewertungsschild des Geräts nicht zu überschreiten. Bitte denken Sie daran, dass die Arbeit mit einem Bohrdurchmesser, der dem maximalen vom Gerät unterstützten Durchmesser entspricht, bei der höchstmöglichen Last arbeitet – das ist akzeptabel, aber wenn es notwendig ist, kontinuierlich zu arbeiten oder eine große Anzahl von Bohrlöchern zu machen, sollten Sie einen Bohrer mit einem größeren Arbeitsbereich wählen.

7. TYPEN VON BOHRERN

- **WT23RE** (HSS Metall-Zylinderbohrer NWKc, HSSCo zylindrische Bohrer, Wolframkarbid-Lochsäge).



- **WT23RE + WELDON-Bohrer** (HSS-Metallbohrer NWKc, HSSCo-Zylinderbohrer, Wolframkarbid-Lochsäge, Schienen-Twist-Bohrer, TCT-Rohrbohrer für RAIL-Schienen, HSS-Trepanationsschneider, TCT-Trepanationsschneider).



- **WT23RE + WELDON-Bohrer + Gewindebohrer** (HSS-Metall-Zylinderbohrer NWKc, HSSCo-Zylinderbohrer, Wolframkarbid-Lochsäge, Schienendrehbohrer, TCT-Rohrbohrer für RAIL-Schienen, HSS-Trepanationsschneider, TCT-Trepanationsfräser, Gewanngänge)



8. STROMVERSORGUNG

Bevor Sie die Maschine anschließen, stellen Sie sicher, dass die Versorgungsspannung mit der Nennstärke auf der Platte übereinstimmt. Die Stromversorgungsinstallation der Maschine sollte mit einem Kupferdraht mit einem Mindestquerschnitt von mindestens 2,5 mm erfolgen und durch eine C20-Sicherung geführt werden. Das Stromversorgungssystem muss mit einem gut funktionierenden Schutzsystem ausgestattet sein und die Anforderungen der Sicherheitsvorschriften erfüllen.

Stellen Sie das Stromkabel so an, dass es während des Betriebs nicht beschädigt wird. Wenn es notwendig ist, ein Verlängerungskabel zu verwenden, sollte dessen Länge so gewählt werden, dass der Überschuss die Arbeit nicht stört. Das Verlängerungskabel sollte außerdem mit einem Schutzkabel ausgestattet sein. Schalte den Stecker nicht ab, indem du am Netzkabel ziehst.

Im Falle eines Stromausfalls, bei dem die Maschine ausfällt, ist es zwingend erforderlich, den Schaltknopf zu lösen und den Stecker aus der Steckdose zu ziehen. Sobald die Ursachen des Stromausfalls festgestellt und das Problem behoben ist, können Sie weiterarbeiten. Lassen Sie das Gerät nicht unbeaufsichtigt eingesteckt. Im Falle einer Betriebsunterbrechung oder nach einer Unterbrechung ist es unerlässlich, die Maschine aus der Steckdose zu ziehen.

9. DAS EINSCHALTEN DER MASCHINE

Der Bohrschalter befindet sich am Maschinenkörper.

Setzen Sie die Bohrspitze über den ausgewählten Bohrpunkt. Bevor Sie mit dem Bohren beginnen, überprüfen Sie, ob der Bohrer fest genug an der Oberfläche haftet. Der Bohrvorschub wird manuell mit dem Zuführhebel durchgeführt. Um eine Überlastung des Magnetbohrers oder vorzeitigen Verschleiß des Werkzeugs zu vermeiden, üben Sie angemessenen Druck auf den Bohrer aus. Nach Abschluss des Bohrvorgangs werden die Späne und/oder der Bohrkern entfernt, falls es zu einem Bruch kommt. Kühlung und Schmierung beim Bohren sollten an das verwendete Werkzeug angepasst werden.

Bitte beachten Sie, dass die magnetische Kraft verschwindet, wenn die Netzspannung unterbrochen wird (wenn der Strom ausfällt, wenn der Stecker aus der Steckdose gezogen wird). Wenn Sie an einer anderen Position als vertikal bohren, verwenden Sie den mitgelieferten Sicherheitsgurt, um das Gerät zu befestigen.

Im Falle eines Stromausfalls ist es unerlässlich, dass der Maschinenbediener das Gerät ausschaltet und den Stecker aus der Steckdose zieht. Sobald die Ursache des Stromausfalls festgestellt und behoben ist, können Sie den Stecker wieder in die Steckdose stecken und den Betrieb wieder aufnehmen.

Lassen Sie die Maschine nicht unbeaufsichtigt an das Stromnetz angeschlossen. Im Falle einer Betriebsunterbrechung oder nach einer Unterbrechung ist es unerlässlich, die Maschine vom Stromnetz zu trennen, indem man den Stecker aus der Steckdose entfernt.

10. KOHLEBÜRSTEN

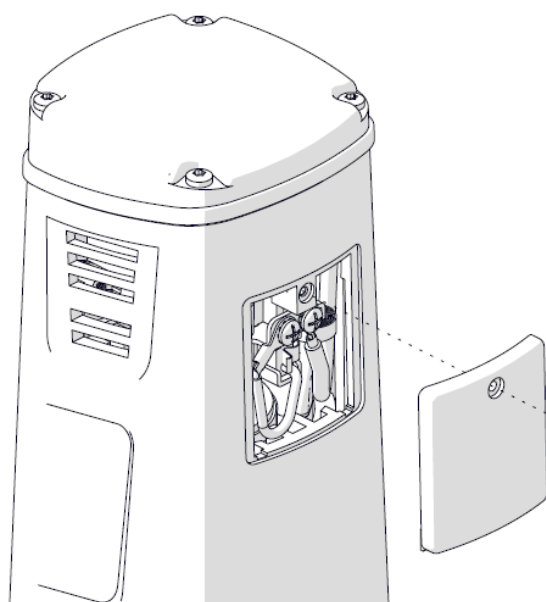
Carbonbürsten sind ein normales Abnutzungsteil und müssen ersetzt werden, sobald sie die Abnutzungsgrenze erreichen. Die Maschine ist mit Carbonbürsten ausgestattet. Wenn die Maschine unerwartet ausfällt, überprüfe die Pinsel.

Hinweis: Ersetzen Sie die Pinsel immer paarweise

Zum Ersatz von Pinseln:

- Entferne einfach die Pinselkappen und entferne die alten Pinsel.
- Wenn Sie Pinsel durch neue ersetzen (immer paarweise austauschen), achten Sie darauf, dass sie richtig sitzen.

WARNUNG: Alle Reparaturen müssen an ein autorisiertes Servicezentrum verwiesen werden. Falsch durchgeführte Reparaturen können zu Verletzungen oder Todesfällen führen. Wir empfehlen Ihnen, den WABROTECH Service zu kontaktieren.



11. FREIGABE AN DEN FÜHRERN

Alle 50 Betriebsstunden sollten Sie sicherstellen, dass die Führungen richtig eingestellt sind. Dazu bewegen Sie den Motor auf und ab, damit er sich reibungslos bewegt.

Um die Führungen anzupassen, muss man sie mit einer dünnen Fettschicht beschichten. Als Nächstes benutzt man einen Innensechskantschlüssel, um die Schrauben vorsichtig zu lösen. Positioniere den Motor so, dass der Schieber in der Mitte der Führungen liegt. Dann zieht man die Schrauben leicht fest, sodass sie die Führung berühren. Bewegen Sie den Motor auf und ab und stellen Sie die Schrauben so ein, dass die Bewegung gleichmäßig verläuft.



12. KONTROLLAKTIVITÄTEN

Führe die Überprüfung mit dem Stecker aus der Steckdose durch.

Bevor Sie den Magnetbohrer starten, überprüfen Sie den Zustand des Arbeitswerkzeugs. Jeder Defekt oder Riss an der Bohrmaschine disqualifiziert das Werkzeug. Neue, fehlerfreie müssen installiert werden.

Das Gerät sollte sorgfältig gepflegt werden. Es ist notwendig zu überprüfen, dass die beweglichen Teile des Geräts einwandfrei funktionieren und nicht blockiert sind, dass die Teile nicht gerissen oder beschädigt sind, was die ordnungsgemäße Funktion des Geräts beeinträchtigen könnte. Lass beschädigte Teile vor der Nutzung des Geräts reparieren. Viele Unfälle werden durch unsachgemäße Wartung von Elektrowerkzeugen verursacht.

Überprüfe den Zustand der Elektrographitbürsten. Wenn du feststellst, dass sie kürzer als 4 mm sind, ersetze sie durch neue. Bitte beachten Sie, dass die Schneidreste von keramischen Materialien korrosiv sind. Lassen Sie die Maschine am Ende der Arbeit nicht ungereinigt. Dies kann zu Korrosion einzelner Bohrteile führen.

13. KOMPATIBILITÄT

Der Magnetbohrer ist mit folgenden Werkzeugen kompatibel:

- Bohrfutter Weldon 19 mm

- Gewindehalter B18 M3-M16
- Bohrhaug B16/3-16mm
- Kühlmitteltank



Anleitung zur Montage des Werkzeughalters:

3. Schiebe das Zubehör in den Werkzeugschlitz. Drücke nach unten, bis der Griff fest im Werkzeugschlitz sitzt. Ziehe vorsichtig nach unten, achte darauf, dass keine Spielraum vorhanden ist.



4. Schlage das Werkzeug mit dem Keil aus, der im Set enthalten ist. Setze den Keil in das Loch über dem Werkzeugschlitz. Halte das Werkzeug mit einer Hand und schlage mit der anderen sanft mit einem Hammer auf den Keil. Das Werkzeug springt aus dem Schlitz und gleitet nach unten. Sie können erfolgreich mit der Installation eines weiteren Werkzeugs übergehen.



Anleitung zur Installation des Kältemittel tanks.

2. Auf der rechten oder linken Seite des Bohrkörpers, je nach Modell, gibt es einen Platz, um einen Kühlmittel tank zu montieren. Der Tank ist mit einem Schlauch, einer Mutter, einem Blechgriff und einer quergeschnittenen Schraube ausgestattet. Schrauben Sie den Zinngriff direkt mit Hilfe einer Schraube auf den Behälter. Verbinde den Schlauch mit dem Stecker am Tank. Dann setzen Sie den Blechhalter mit dem Tank auf die beiden Schrauben an der Seite des Bohrkörpers und ziehen die Schrauben mit einem Schraubenzieher fest.



13. FEHLERBEHEBUNG

Problem	Ursache	Lösung
Der Bohrer funktioniert nicht	Das Stromkabel ist schlecht angeschlossen oder beschädigt	Stecke den Stecker tiefer in die Steckdose Überprüfe das Stromkabel
	Es gibt keine Netzspannung in der Buchse	Überprüfe die Spannung an der Steckdose oder ob die Sicherung ausgelöst hat.
	Abgenutzte Motorbürsten	Ersetze die Pinsel durch neue

	Defekter Schalter	Ersetzen Sie den Schalter durch einen neuen
	Fehlerhafter PRCD-Stillstromschalter	Ersatzstromschutzschalter ersetzen
	Vibration	Überprüfen Sie den Zustand des Bohrers oder der Spindel.

DÉFINITIONS DES PICTOGRAMMES UTILISÉS DANS LA NOTICE :



LIRE LE MANUEL



UTILISEZ DES MASQUES
ANTI-POUSSIÈRE



UTILISEZ UNE PROTECTION
OCULAIRE



REMARQUE! UTILISER LA
MISE À LA TERRE



Veillez respecter les
instructions marquées de ce
symbole dans le texte !



Avertissement de choc
électrique



Avertissement sur les pièces
mobiles



Entreposer séparément et
éliminer selon les normes
environnementales



Avertissement de risque
d'explosion

1. CONSEILS DE SÉCURITÉ



Instructions générales de sécurité pour les outils électriques

Lisez tous les conseils et recettes. Le non-respect des instructions ci-dessous peut entraîner des décharges électriques, un incendie et/ou des blessures corporelles graves. Gardez attentivement toutes les réglementations et instructions de sécurité pour une lecture complémentaire. Comme indiqué dans le texte ci-dessous, le terme « outil électrique » désigne les outils électriques alimentés par l'alimentation électrique (avec un câble électrique) et les outils électriques alimentés par piles (sans câble électrique).

1. Sécurité au travail

- A. Le poste de travail doit être maintenu propre et bien éclairé. Le désordre au travail ou dans un lieu de travail non éclairé peut provoquer des accidents.
- B. N'utilisez pas cet outil électrique dans des environnements potentiellement explosifs tels que des liquides inflammables, des gaz ou de la poussière. Lorsque l'outil électrique est en fonctionnement, des étincelles sont générées pouvant provoquer l'allumage.
- C. Lors de l'utilisation de l'appareil, il faut veiller à garder les enfants et les autres passants à une distance sûre. La distraction peut vous faire perdre le contrôle de l'outil.

2. Sécurité électrique

- A. La prise de l'outil électrique doit s'insérer dans la prise. Ne modifiez pas le connecteur d'aucune manière. N'utilisez pas de prises adaptatrices pour les outils électriques avec une connexion de protection. Des prises inchangées et des prises assorties réduisent le risque de choc électrique.
- B. Éviter le contact avec des surfaces mises à la terre telles que ; Tuyaux, radiateurs, plaques et réfrigérateurs. Le risque de choc électrique est plus élevé si le corps de l'utilisateur est mis à la terre.
- C. L'appareil doit être protégé de la pluie et de l'humidité. L'eau qui pénètre dans l'outil électrique augmente le risque de choc électrique.

- D. N'utilisez jamais le câble pour d'autres activités. Ne portez jamais l'outil électrique par le cordon ni n'utilisez le câble pour suspendre l'outil électrique. Aussi, ne le débranchez pas en tirant sur le câble. Le câble doit être protégé contre les hautes températures et éviter l'huile, les bords tranchants ou les parties mobiles de l'appareil. Des fils endommagés ou emmêlés augmentent le risque de choc électrique.
- E. Si vous utilisez l'outil électrique à l'extérieur, utilisez une rallonge également adaptée à l'extérieur. Utiliser la bonne rallonge (adaptée à l'extérieur) réduit le risque de choc électrique.
- F. Si l'outil électrique ne peut pas être utilisé dans des environnements humides, utilisez un disjoncteur résiduel. L'utilisation d'un disjoncteur résiduel réduit le risque de choc électrique.

3. Sécurité personnelle

- A. Lorsque vous utilisez un outil électrique, soyez prudent et effectuez chaque action avec soin et précaution. N'utilisez pas l'outil électrique si vous êtes fatigué ou sous l'influence de drogues, d'alcool ou de médicaments. Un moment d'inattention lors de l'utilisation d'un outil électrique peut entraîner de graves blessures personnelles.
- B. Portez en permanence des équipements de protection individuelle et des lunettes de protection. Le port d'équipements de protection individuelle – masque anti-poussière, chaussures à enfiler, casque de sécurité ou protection auditive (selon le type et l'utilisation de l'outil électrique) – réduit le risque de blessures corporelles.
- C. Évitez de démarrer l'outil par inadvertance. Avant de brancher la prise dans la prise électrique et/ou de la brancher sur la batterie, ainsi qu'avant de prendre ou déplacer l'outil électrique, assurez-vous que l'outil électrique est éteint. Maintenir votre doigt sur l'interrupteur lorsque vous portez l'outil électrique ou en le connectant à l'adaptateur secteur peut entraîner un accident.
- D. Avant d'allumer l'outil électrique, retirez les outils de réglage ou les clés à molette. Un outil ou une clé à molette dans des parties mobiles de l'appareil peut causer des blessures corporelles.
- E. Les postures non artificielles doivent être évitées pendant le travail. Vous devez maintenir une position de travail stable et garder votre équilibre. Cela permet de mieux contrôler l'outil électrique dans des situations imprévues.
- F. Des vêtements appropriés doivent être portés. Ne portez pas de vêtements amples ni de bijoux. Éloignez les cheveux, vêtements et gants des parties mobiles de l'outil. Des vêtements amples, des bijoux ou de longs cheveux peuvent être déchirés par des parties mobiles et entraîner un accident.
- G. Si possible d'installer un équipement d'extraction et de collecte de poussière, assurez-vous qu'il est bien connecté et utilisé. L'utilisation d'un dispositif d'extraction peut réduire le risque d'inhalation de poussière.

4. Bon fonctionnement et exploitation des outils électriques

- A. Ne surchargez pas l'appareil. Utilisez des outils électriques conçus à cet effet. Avec le bon outil électrique, vous pouvez travailler mieux et en plus sûr dans une plage de puissance donnée.
- B. N'utilisez pas un outil électrique dont l'interrupteur marche/arrêt est endommagé. Un outil électrique qui ne peut ni être allumé ni éteint est dangereux et doit être réparé.
- C. Avant d'ajuster l'appareil, de changer d'accessoire ou d'arrêter l'outil, retirez la prise de la prise et/ou retirez la batterie. Cette précaution empêche l'outil électrique d'être allumé accidentellement.

- D. Lorsqu'ils ne sont pas utilisés, gardez les outils électriques hors de portée des enfants. Ne partagez pas l'outil avec quiconque ne le connaît pas ou n'a pas lu ces termes. Les outils électriques utilisés par des personnes inexpérimentées sont dangereux.
- E. Un entretien adéquat de l'outil électrique est nécessaire. Vérifiez que les parties mobiles de l'outil électrique fonctionnent correctement et ne sont pas obstruées, que les pièces ne sont pas endommagées ou endommagées, afin que le bon fonctionnement de l'outil soit affecté. Faites réparer les pièces endommagées avant d'utiliser l'appareil. De nombreux accidents sont causés par un mauvais entretien des outils électriques.
- F. Utilisez des outils électriques, accessoires, outils auxiliaires, etc. selon ces instructions et l'usage prévu. Les conditions et la nature du travail effectué doivent être prises en compte. Une mauvaise utilisation de l'outil électrique peut entraîner des situations dangereuses.

5. Service

- A. Faites réparer l'outil électrique uniquement par un professionnel qualifié et utilisez des pièces détachées d'origine. Cela garantit la sécurité de l'appareil. Nous recommandons des réparations auprès d'un service WABROTECH agréé.

RISQUE D'INCENDIE ET D'EXPLOSION



Les fumées incendiaires des solvants et peintures dans la zone de travail peuvent s'enflammer ou exploser. Pour éviter un incendie ou une explosion, vous devez :

1. Évitez de travailler près de matériaux inflammables et inflammables, près de flammes nues ou de sources d'allumage telles que des cigarettes, des moteurs externes et d'autres équipements électriques.
2. L'électricité statique présente un risque d'incendie ou d'explosion en présence de peinture ou de fumées de solvant.
3. Vérifiez que tous les bacs et systèmes de collecte sont mis à la terre pour éviter les décharges statiques. N'utilisez pas de seaux à seaux sauf s'ils ont des propriétés antistatiques ou conductrices.
4. Assurez-vous qu'il y ait suffisamment de circulation d'air dans cette pièce.
5. Ne fumez pas de cigarettes dans le lieu de travail.
6. N'utilisez pas d'interrupteurs, moteurs ou autres produits d'étincelle similaires dans l'espace de travail.
7. Gardez la zone propre. Il ne doit pas contenir de matériaux inflammables.
8. Consultez toutes les fiches de données de sécurité (MSDS) et autocollants sur les contenants.
9. Du matériel de lutte contre les incendies fonctionnel doit être disponible sur place.
10. L'appareil génère des étincelles. Si un liquide inflammable est utilisé dans ou à proximité de l'appareil, maintenez-le à au moins 6 m des fumées explosives.

SÉCURITÉ ÉLECTRIQUE



1. Les fiches d'outils électriques doivent s'insérer dans les prises. Il est interdit de modifier le plugin d'une quelconque manière. Ne connectez pas les adaptateurs aux outils électriques mis à la terre. L'utilisation de fiches inchangées et de prises assorties réduit le risque de choc électrique.



2. Les outils mis à la terre doivent être correctement connectés à une prise installée et mise à la terre conformément à toutes les normes et réglementations. Il est interdit de retirer la prise de terre ou de la modifier de quelque manière que ce soit. N'utilisez pas d'adaptateurs de douille. Si vous n'êtes pas sûr que la prise soit correctement mise à la terre, consultez un électricien qualifié. Si les outils électriques tombent en panne ou tombent en panne, cette mise à la terre offre un moyen à faible résistance de dissiper l'alimentation de l'utilisateur.
3. Évitez le contact physique avec les surfaces mises à la terre telles que les tuyaux, chauffages ou réfrigérateurs. Lorsque le corps de l'utilisateur est mis à la terre, la probabilité d'un choc électrique augmente.
4. N'exposez pas les outils électriques à la pluie ou à l'humidité. L'eau qui pénètre dans l'outil électrique augmente le risque de choc électrique.
5. Utilisez les câbles comme prévu. N'utilisez jamais de câbles pour transporter, débrancher ou débrancher l'outil électrique de la prise. Éloignez le câble de la chaleur, de l'huile, des bords tranchants et des pièces mobiles. Remplacez immédiatement les câbles endommagés. Les câbles endommagés ou emmêlés augmentent le risque de choc électrique.
6. Si vous utilisez l'outil électrique en extérieur, utilisez des rallonges adaptées à un usage extérieur. L'utilisation de câbles adaptés à l'extérieur réduit le risque de chocs électriques

DANGER DES PIÈCES MOBILES



Les parties mobiles peuvent se compresser, couper ou couper vos doigts et d'autres parties de votre corps.



1. Évitez les pièces en mouvement.
2. N'utilisez pas l'équipement sans housses et housses de protection.
3. Les appareils en cours d'exécution peuvent démarrer sans avertissement. Déconnectez toutes les sources d'alimentation avant d'inspecter, déplacer ou entretenir l'équipement.



RISQUE D'UTILISATION INAPPROPRIÉE DE L'APPAREIL

Une mauvaise utilisation de l'équipement peut entraîner le décès ou un handicap.

1. Portez toujours une protection oculaire appropriée ainsi qu'un respirateur ou un masque lorsque vous travaillez.
2. Ne démarrez pas l'appareil et ne faites aucun travail près des enfants. Soutien aux enfants loin de l'appareil.
3. Ne dépassez pas la plage normale et ne placez pas l'appareil sur un sol instable. Une bonne posture et un bon équilibre doivent être maintenus.
4. Vous devez vous concentrer et vous concentrer sur l'activité en cours.
5. Ne laissez pas l'appareil sans surveillance connecté à l'alimentation. Lorsque l'appareil n'est pas utilisé, éteignez-le et effectuez la procédure de décompression.
6. N'utilisez pas l'équipement si vous êtes fatigué ou sous l'influence de drogues ou d'alcool.
7. Ne pliez pas ou ne surpliez pas le tuyau.

8. N'exposez pas le câble à des températures ou tensions dépassant les valeurs recommandées par WABROTECH.
9. N'utilisez pas la corde pour déplacer ou soulever du matériel.

ÉQUIPEMENT DE PROTECTION INDIVIDUELLE



Portez un équipement de protection approprié dans la zone de travail pour prévenir des blessures graves telles que des blessures oculaires, une perte auditive, l'inhalation de fumées toxiques et les brûlures.



Ces mesures incluent, sans s'y limiter, des lunettes de protection, des respirateurs, des vêtements de protection et des gants, conformément aux recommandations du fabricant du fabricant des liquides et solvants.



Lorsque vous manipulez des outils électriques, vous devez être vigilant, prudent et faire preuve de bon sens. N'utilisez pas d'outils électriques lorsque vous êtes fatigué ou sous l'influence de drogues, d'alcool ou de médicaments. Un moment de distraction lors de l'utilisation d'un outil électrique peut entraîner de graves blessures.

1. Utilisez du matériel de sécurité. Portez toujours des lunettes de protection. Les mesures de protection telles qu'un masque anti-poussière, des chaussures antidérapantes, un casque ou une protection auditive limitent les blessures corporelles lorsqu'elles sont utilisées correctement.
2. Évitez les inclusions accidentelles. Avant de connecter l'appareil, assurez-vous que l'interrupteur est en position OFF. Placer votre doigt sur le disjoncteur tout en transportant ou en branchant un équipement avec l'interrupteur en position ON augmente le risque d'accident.
3. Retirez le bouton d'ajustement avant d'allumer l'appareil. Une clé fixée à une partie rotative de l'outil peut causer des blessures corporelles.
4. Ne penche pas trop en avant. Maintenez une position stable pendant l'opération. Cela garantit un meilleur contrôle de l'outil électrique en cas de situations imprévues.
5. Portez des vêtements appropriés. Ne portez pas de vêtements amples ni de bijoux. Gardez les cheveux, les vêtements et les gants à l'écart des parties mobiles. Des vêtements amples, des bijoux ou des cheveux longs peuvent s'accrocher et rester coincés dans des pièces mobiles.
6. Si des instruments d'extraction et de collecte de poussière sont présents, assurez-vous qu'ils sont bien connectés et utilisés. L'utilisation de ces dispositifs peut réduire le risque de poussière.

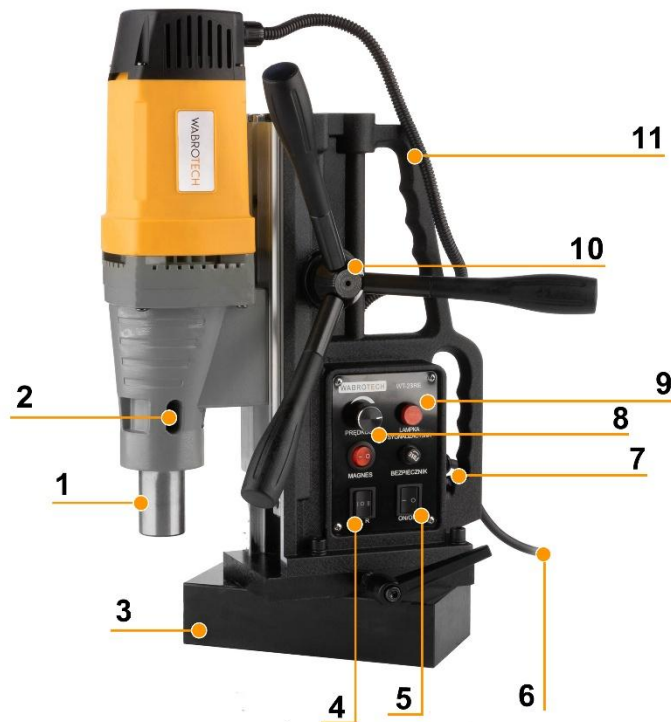
CONNEXION À L'ALIMENTATION ÉLECTRIQUE



La tension secteur doit être la même que celle indiquée sur la carte nominale de l'appareil. En aucun cas l'outil ne doit être utilisé si le câble d'alimentation est endommagé. Un câble endommagé doit être remplacé immédiatement par un centre de service client agréé. N'essayez pas de réparer vous-même le câble endommagé. Utiliser des câbles d'alimentation endommagés peut provoquer des décharges électriques.

IMPORTANT : N'utilisez qu'une rallonge à trois fils avec une prise de terre à deux broches, un trou et une prise où vous pouvez brancher la prise de l'appareil avec deux trous et une tige. Assurez-vous que la rallonge est en bon état. Si vous utilisez une rallonge, vous devez vous assurer qu'elle a suffisamment de paramètres pour transporter le courant que l'appareil peut consommer. Un câble avec des paramètres trop faibles provoquera une chute de tension secteur, ce qui entraînera des pertes de courant et une surchauffe. Il est recommandé d'utiliser un câble d'une section transversale de $3 \times 1,5$ mm. Si la rallonge doit être utilisée à l'extérieur, elle doit être marquée W-A après avoir spécifié le type de câble. Par exemple, la désignation SJTW-A indiquerait que le câble convient à un usage extérieur.

2. CONSTRUCTION DU WT23RE



1	Porte-outil	Broche conique MT2 (mandrin Weldon de 19 mm, mandrin fileté B18 M3-M16, mandrin MT2 B18, mandrin de mâchoire MT2/3-16 mm monté)
2	Punch	Une douille dans laquelle les poignées ou les perceuses doivent être détachées.
3	Base magnétique	Efficacité maximale de l'alliage magnétique avec une épaisseur d'acier de 10 mm. Efficacité minimale avec une épaisseur d'acier de 4 mm. La perceuse magnétique WT23RE possède une base magnétique mobile.
4	Commutateur de mode de forage	Position 0 – Perceuse magnétique Désactivée Position – Position REV de la perceuse – Filetage
5	Interrupteur ON/OFF	Interrupteur électrique en alliage magnétique. ATTENTION ! En travail, le pied magnétique doit d'abord être allumé et la machine doit être compétente.
6	Fusible	Verrouillage magnétique au pied.
7	Douille	Il indique quand le pied magnétique est allumé.
8	Lampe indicatrice	On informe de l'alimentation électrique de la perceuse
9	Contrôleur de vitesse	Utilisez le potentiomètre pour ajuster la vitesse de la machine.
10	Levier d'alimentation	Il sert à ajuster la position de la broche.
11	Poignée	Permet de transporter la foreuse magnétique.

3. SPÉCIFICATIONS TECHNIQUES

Modèle/Puissance du moteur	WT 23RE/1880 W
Tension/Fréquence/Fusible	230V/50Hz/C20 (Vérifiez le nom de la machine)
Degré de protection	II
Niveau de bruit	60-90 dB
Plage de diamètres de forage	Perceuse à tuyaux MAX – 50 mm Mèche de foret solide MAX – 23 mm
Vitesse maximale	580 tr/min
Force magnétique	13000N
Course maximale de travail	200 mm
Porte-outil	Mandrin à mâchoires MT2/3-16mm (mandrin Weldon 19mm, mandrin fileté B18 M3-M16, mandrin MT2 B18, mandre arrière MT2/3-16mm pouvant être montés)
Départ en douceur	OUI
Rotation inverse (fonction de filetage)	OUI, M3-M16
Contrôle de la vitesse	OUI
Température ambiante requise	0 – 40°C
Mesures magnétiques au pied	205 x 105 x 50 mm
Dimensions de forage	300 x 215 x 410 mm
Poids net/brut	19,5 / 30,5 kg

4. OBJECTIF DE LA PERCEUSE MAGNÉTIQUE

La machine de forage magnétique convient au forage dans des matériaux ferromagnétiques (tels que l'acier), lors de l'installation, de la construction navale, de la construction de ponts, de la production de grues, de l'assemblage, du travail de serrurier, de l'assemblage de structures en acier, etc.

La plateforme convient aussi bien au forage de carottage qu'au forage complet. La perceuse dispose d'une fonction filetage lorsque la marche arrière est activée. L'appareil peut être utilisé horizontalement, verticalement et au-dessus. Il convient de veiller à ce qu'une surface et une épaisseur suffisantes (**au moins 10 mm**) de matériau ferromagnétique soient disponibles pour transmettre la force magnétique de retenue. La surface de contact de la pièce avec l'électroaimant doit être de niveau, mais elle ne doit pas être non traitée. La rouille et le calcaire ainsi que la peinture et les couches de mastic doivent être retirés de la surface de la pièce. Lors du forage dans des matériaux inférieurs à 10 mm, une plaque d'acier d'épaisseur appropriée doit être placée sous la pièce afin que l'électroaimant adhère au substrat avec une force plus forte. Ne jamais placer de perceuses magnétiques sur des matériaux isolants (par exemple, bois, béton, etc.).

Veillez noter que la force magnétique disparaît lorsque le courant est interrompu (lorsque le courant coupe lorsque la prise est débranchée). Nous recommandons de toujours tenir la perceuse avec une ceinture de sécurité.

Les perceuses magnétiques ne doivent pas être utilisées sur les pièces lors du soudage à l'arc. Le courant de soudure pourrait endommager la machine.

5. RESTRICTIONS D'UTILISATION

Les outils électriques, accessoires, outils, etc. doivent être utilisés conformément à ces réglementations et comme prévu pour ce type d'équipement particulier. Les conditions de travail et les activités à réaliser doivent être prises en compte. L'utilisation d'outils électriques pour des travaux autres que ceux prévus peut entraîner des situations dangereuses.

La machine doit être utilisée uniquement avec les perceuses et mandris décrits dans ce manuel .

Toute modification arbitraire de la conception mécanique et électrique, toute modification ou entretien non décrits dans le Manuel du propriétaire est considérée comme illégale et entraînera la perte immédiate des droits de garantie.

Ne surchargez pas l'appareil. Utilisez un outil électrique fourni à cet effet. Le bon outil facilite et rend le travail plus sûr dans la zone d'application donnée.

N'utilisez pas un outil électrique dont l'interrupteur marche/arrêt est endommagé. Un outil électrique qui ne peut ni être allumé ni éteint est dangereux et doit être réparé. Nous vous recommandons de contacter le service WABROTECH.

6. EXERCICES D'INTERCEPTION

N'oubliez pas de ne pas dépasser la moyenne recommandée selon l'étiquette de classification de l'appareil. Veuillez garder à l'esprit que travailler avec un diamètre de forage égal au diamètre maximal supporté par l'appareil fonctionnera à la charge maximale possible – cela est acceptable, mais s'il est nécessaire de travailler en continu ou de réaliser un grand nombre de trous, vous devez choisir une foreuse avec une surface de travail plus grande.

7. TYPES DE MÈCHES

- **WT23RE** (mèche de forage cylindrique HSS NWKc, mèches cylindriques HSSCo, scie cloche en carbure de tungstène).



- **Mèches WT23RE+WOLDON** (mèche métallique HSS NWKc, mèche de forage cylindrique HSSCo, scie-cloche en carbure de tungstène, mèche torsadée à rail, mèche TCT pour rails RAIL, coupeuse de trépanation HSS, fraise trépanation TCT).



- **Mèches de forage WT23RE+WELDON** (perceuse cylindrique HSS NWKc, perceuse cylindrique HSSCo, scie-cloche en carbure de tungstène, perceuse rotative sur rails, perceuse TCT pour rails RAIL, fraise de trépanation HSS, fraiseuse trépanation TCT, engrenages gagnants)



8. ALIMENTATION ÉLECTRIQUE

Avant de connecter la machine, assurez-vous que la tension d'alimentation correspond à la force nominale sur la plaque. L'installation de l'alimentation électrique de la machine doit être effectuée avec un fil de cuivre d'une section minimale d'au moins 2,5 mm et passé à travers un fusible C20. Le système d'alimentation doit être équipé d'un système de protection bien fonctionnel et respecter les exigences des réglementations de sécurité.

Ajustez le cordon d'alimentation pour qu'il ne soit pas endommagé pendant le fonctionnement. S'il est nécessaire d'utiliser une rallonge, sa longueur doit être choisie afin que l'excès n'interfère pas avec le travail. La rallonge doit également être équipée d'un câble de protection. Ne coupez pas la prise en tirant le câble d'alimentation.

En cas de panne de courant où la machine tombe en panne, il est impératif de desserrer le bouton de l'interrupteur et de le débrancher de la prise. Une fois les causes de la coupure de courant déterminées et le problème résolu, vous pouvez continuer à travailler. Ne laissez pas l'appareil sans surveillance. En cas d'interruption de service ou après celle-ci, il est essentiel de débrancher la machine de la prise.

9. ALLUMAGE DE LA MACHINE

L'interrupteur de perceuse est situé sur le corps de la machine.

Placez la pointe de forage sur le point de forage sélectionné. Avant de commencer à percer, vérifiez que la mèche adhère suffisamment bien à la surface. L'alimentation de forage est effectuée manuellement avec le levier d'avance. Pour éviter de surcharger la perceuse magnétique ou d'user prématurément l'outil, appliquez la pression appropriée sur la perceuse. Une fois le forage terminé, les copeaux et/ou le carottage de forage sont retirés en cas de fracture. Le refroidissement et la lubrification lors du forage doivent être adaptés à l'outil utilisé.

Veillez noter que la force magnétique disparaît lorsque la tension secteur est interrompue (lorsque l'alimentation est coupée lorsque la prise est débranchée). Si vous percez dans une position autre que verticale, utilisez la ceinture de sécurité fournie pour fixer l'appareil.

En cas de panne de courant, il est essentiel que l'opérateur de la machine éteigne l'appareil et le débranche de la prise. Une fois la cause de la coupure de courant déterminée et résolue, vous pouvez la rebrancher dans la prise et reprendre le fonctionnement.

Ne laissez pas la machine connectée au secteur sans surveillance. En cas de coupure de service ou après une interruption, il est essentiel de débrancher la machine de l'alimentation en retirant la prise de la prise.

10. BROSSES AU CHARBON

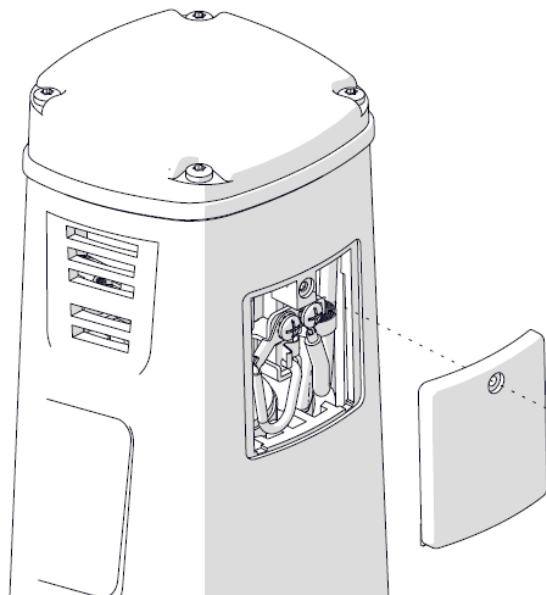
Les brosses au carbone sont une pièce d'usure normale et doivent être remplacées dès qu'elles atteignent la limite d'usure. La machine est équipée de balais en carbone. Si la machine tombe en panne de façon inattendue, vérifiez les brosses.

Note : Remplacez toujours les pinceaux par paires

Pour remplacer les pinceaux :

- Il suffit d'enlever les bouchons des pinceaux et d'enlever les anciens pinceaux.
- Lorsque vous remplacez les pinceaux par des neufs (échangez-les toujours par paires), assurez-vous qu'ils s'ajustent bien.

AVERTISSEMENT : Toutes les réparations doivent être orientées vers un centre de service agréé. Des réparations mal effectuées peuvent entraîner des blessures ou la mort. Nous vous recommandons de contacter le service WABROTECH.



11. LIBÉRER AUX GUIDES

Toutes les 50 heures de fonctionnement, vous devez vous assurer que les guides sont bien réglés. Pour cela, déplacez le moteur vers le haut et le bas afin qu'il se déplace en douceur.

Pour ajuster les guides, il faut les enduire d'une fine couche de graisse. Ensuite, utilisez une clé Allen pour desserrer soigneusement les vis. Positionnez le moteur de façon à ce que le curseur soit au centre des guides. Ensuite, serrez légèrement les vis pour qu'elles touchent le guide. Faites monter et descendre le moteur et ajuster les vis pour que le mouvement soit fluide.



12. ACTIVITÉS DE CONTRÔLE

Effectuez la vérification avec la prise de la prise.

Avant de démarrer la perceuse magnétique, vérifiez l'état de l'outil de travail. Tout défaut ou fissure sur la perceuse disqualifie l'outil. De nouveaux modèles sans erreur doivent être installés.

L'appareil doit être soigneusement entretenu. Il est nécessaire de vérifier que les parties mobiles de l'appareil fonctionnent correctement et ne sont pas obstruées, que les pièces ne sont pas fissurées ou endommagées, ce qui pourrait nuire au bon fonctionnement de l'appareil. Faites réparer les pièces endommagées avant d'utiliser l'appareil. De nombreux accidents sont causés par un mauvais entretien des outils électriques.

Vérifiez l'état des brosses électrographites. Si vous constatez qu'elles sont plus courtes que 4 mm, remplacez-les par des neuves. Veuillez noter que les résidus de coupe des matériaux céramiques sont corrosifs. Ne laissez pas la machine non nettoyée à la fin du travail. Cela peut entraîner la corrosion de pièces individuelles du forage.

13. COMPATIBILITÉ

La perceuse magnétique est compatible avec les outils suivants :

- Manchon de forage Weldon 19 mm
- Porte-filetage B18 M3-M16
- Bohrhaug B16/3-16mm
- Réservoir de liquide de refroidissement



Instructions pour le montage du porte-outil :

1. Glissez l'accessoire dans la fente à outils. Appuyez jusqu'à ce que la poignée soit bien ancrée dans la fente de l'outil. Tirez doucement vers le bas, en veillant à ce qu'il n'y ait pas de marge de manœuvre.



2. Éliminez l'outil avec le coin inclus dans l'ensemble. Placez le coin dans le trou au-dessus de la fente à outils. Tenez l'outil d'une main et frappez doucement le coin avec un marteau de l'autre. L'outil saute hors de la fente et glisse vers le bas. Vous pouvez procéder avec succès à l'installation d'un autre outil.



Instructions pour installer la bouteille de réfrigérant.

1. Sur le côté droit ou gauche du corps de la foreuse, selon le modèle, il y a un endroit pour monter un réservoir de liquide de refroidissement. Le réservoir est équipé d'un tuyau, d'un écrou, d'une poignée en tôle et d'une vis à coupe transversale. Vissez la poignée en étain directement sur le récipient à l'aide d'une vis. Connecte le tuyau au bouchon du réservoir. Ensuite, placez le porte-tôle avec le réservoir sur les deux vis sur le côté du corps de la perceuse et serrez les vis avec un tournevis.



13. DÉPANNAGE

Problème	Cause	Solution
La perceuse ne fonctionne pas	Le câble d'alimentation est mal connecté ou endommagé	Insérez la prise plus profondément dans la prise Vérifiez le câble d'alimentation
	Il n'y a pas de tension secteur dans la prise	Vérifiez la tension sur la prise ou si le fusible a sauté.
	Brosses de moteur usées	Remplacez les pinceaux par des neufs
	Interrupteur défectueux	Remplacez l'interrupteur par un nouveau
	Interrupteur de calme PRCD défectueux	Disjoncteur de courant de remplacement
	Vibration	Vérifiez l'état de la mèche ou de la broche.

DEFINICE PIKTOGRAMŮ POUŽITÝCH V NÁVODU:



PŘEČTĚTE SI PŘÍRUČKU



POUŽÍVEJTE
PROTIPRACHOVÉ MASKY



POUŽÍVEJTE OCHRANU OČÍ



POZNÁMKA! POUŽIJTE
UZEMNĚNÍ



Dodržujte prosím pokyny
označené tímto symbolem v
textu!



Varování před úrazem
elektrickým proudem



Upozornění na pohyblivé části



Skladujte odděleně a likvidujte
v souladu s ekologickými
normami



Varování před nebezpečím
výbuchu

1. TIPY NA BEZPEČNOST



Obecné bezpečnostní pokyny pro elektrické nářadí

Přečtěte si všechny tipy a recepty. Nedodržení níže uvedených pokynů může vést k úrazu elektrickým proudem, požáru a/nebo vážnému zranění. Pečlivě si uchovávejte všechny předpisy a bezpečnostní pokyny pro další informace. Jak je použito v níže uvedeném textu, termín "elektrické nářadí" označuje elektrické nářadí napájené elektrickou sítí (pomocí napájecího kabelu) a elektrické nářadí napájené bateriemi (bez elektrického kabelu).

1. Bezpečnost na pracovišti

- A. Pracovní stanice by měla být udržována čistá a dobře osvětlená. Nepořádek na pracovišti nebo v nesvětlém pracovišti může způsobit nehody.
- B. Tento elektrický nástroj nepoužívejte v potenciálně výbušných prostředích, jako jsou hořlavé kapaliny, plyny nebo prach. Při ovládání elektrického nástroje vznikají jiskry, které mohou způsobit zapálení.
- C. Při používání přístroje je třeba dbát na to, aby děti a další kolemjdoucí byli v bezpečné vzdálenosti. Rozptýlení může způsobit, že ztratíte kontrolu nad nástrojem.

2. Elektrická bezpečnost

- A. Zástrčka elektrického nářadí musí zapadnout do zásuvky. Neměňte zástrčku nijakým způsobem. Nepoužívejte adaptérové zástrčky pro elektrické nářadí s ochranným uzemněním. Neupravené zástrčky a odpovídající zásuvky snižují riziko úrazu elektrickým proudem.
- B. Vyhněte se kontaktu s uzemněnými povrchy, jako jsou; trubky, radiátory, sporáky a lednice. Riziko elektrického šoku je vyšší, když je tělo uživatele uzemněno.
- C. Spotřebič musí být chráněn před deštěm a vlhkostí. Vstup vody do elektrického nářadí zvyšuje riziko úrazu elektrickým proudem.
- D. Nikdy nepoužívejte kabel na jiné aktivity. Nikdy nenoste elektrický nástroj za kabel ani ho nepoužívejte k zavěšení. Také nevytahujte zástrčku ze zásuvky taháním za kabel. Kabel by měl být chráněn před vysokými teplotami, chráněn před olejem, ostrými hranami nebo

pohyblivými částmi spotřebiče. Poškozené nebo zamotané vodiče zvyšují riziko úrazu elektrickým proudem.

- E. Při ovládání elektrického nářadí venku používejte prodlužovací kabel, který je vhodný i pro venkovní použití. Použití správného prodlužovacího kabelu (vhodného pro venkovní použití) snižuje riziko úrazu elektrickým proudem.
- F. Pokud nelze elektrické nářadí používat ve vlhkém prostředí, použijte jistič s reziduálním proudem. Použití jističe s reziduálním proudem snižuje riziko úrazu elektrickým proudem.

3. Osobní bezpečnost

- A. Při práci s elektrickým nářadím buďte opatrní a každou akci provádějte opatrně a opatrně. Nepoužívejte elektrické nářadí, když jste unavení nebo pod vlivem drog, alkoholu či léků. Chvilka nepozornosti při používání elektrického nářadí může způsobit vážné osobní zranění.
- B. Noste osobní ochranné pomůcky a ochranné brýle po celou dobu. Nošení osobních ochranných pomůcek – ochranné masky, nazouvacích bot, přilby nebo sluchu (v závislosti na typu a použití elektrického nářadí) – snižuje riziko osobního zranění.
- C. Vyhněte se nechtěnému spuštění nástroje. Před vložením zástrčky do zásuvky a/nebo připojením k baterii, stejně jako před zvednutím nebo přesunem elektrického nářadí, se ujistěte, že je nástroj vypnutý. Držení prstu na spínači při nošení elektrického nářadí nebo jeho připojení k napájení může způsobit nehodu.
- D. Před zapnutím elektrického nástroje odstraňte nastavovací nástroje nebo klíče. Nástroj nebo klíč v pohyblivých částech spotřebiče může způsobit osobní zranění.
- E. Nepřirozené polohy těla by se měly během práce vyhýbat. Měli byste se starat o stabilní pracovní pozici a udržovat rovnováhu. Tímto způsobem bude možné lépe ovládat elektrický nástroj v nepředvídaných situacích.
- F. Vhodné oblečení by mělo být oblečeno. Nenoste volné oblečení ani šperky. Držte vlasy, oblečení a rukavice dál od pohyblivých částí nástroje. Volné oblečení, šperky nebo dlouhé vlasy mohou být vtaženy pohyblivými částmi a vést k nehodě.
- G. Pokud je možné nainstalovat zařízení na odsávání a sběr prachu, ujistěte se, že jsou správně připojena a používána. Použití zařízení na vytahování může snížit riziko vdechování prachu.

4. Správný provoz a provoz elektrického nářadí

- A. Nepřetěžujte spotřebič. Používejte elektrické nářadí, které je k tomu navrženo. S vhodným elektrickým nářadím můžete pracovat lépe a bezpečněji v daném rozsahu výkonu.
- B. Nepoužívejte elektrické nářadí, jehož vypínač je poškozený. Elektrický nástroj, který nelze zapnout ani vypnout, je nebezpečný a musí být opraven.
- C. Před nastavením spotřebiče, výměnou příslušenství nebo zastavením nástroje vyjměte zástrčku ze zásuvky a/nebo vyjměte baterii. Tato opatření zabraňuje nechtěnému zapnutí elektrického nářadí.
- D. Když se nepoužívá, držte elektrické nářadí mimo dosah dětí. Nesdílejte tento nástroj s nikým, kdo s ním není obeznámen nebo si tyto ustanovení nepřčetl. Elektrické nářadí používané nezkušenými lidmi je nebezpečné.
- E. Je nezbytná správná údržba elektrického nářadí. Zkontrolujte, zda pohyblivé části elektrického nástroje fungují bezchybně a nejsou zablokované, zda nejsou poškozené nebo poškozené způsobem, který by ovlivnil správný chod elektrického nářadí. Nechte opravit poškozené díly před použitím spotřebiče. Mnoho nehod je způsobeno nesprávnou údržbou elektrického nářadí.

- F. Používejte elektrické nářadí, příslušenství, pomocné nástroje atd. v souladu s těmito pokyny a zamýšleným použitím. Podmínky a typ prováděné práce by měly být zohledněny. Nesprávné používání elektrického nástroje může vést k nebezpečným situacím.

5. Služba

- A. Nechte elektrické nářadí opravit pouze kvalifikovaným odborníkem a použijte originální náhradní díly. To zajišťuje zachování bezpečnosti zařízení. Doporučujeme opravy u autorizovaného servisu WABROTECH.

POŽÁR A VÝBUCHOVÉ RIZIKO



Hořlavé výpary z rozpouštědel a barev v pracovišti mohou vzplanout nebo explodovat. Abyste zabránili požáru nebo výbuchu, měli byste:

1. Vyhněte se práci v blízkosti hořlavých a hořlavých materiálů v blízkosti otevřeného plamene nebo zdrojů zapalování, jako jsou cigarety, externí motory a další elektrické spotřebiče.
2. Statická elektřina představuje riziko požáru nebo výbuchu v přítomnosti par barvy nebo rozpouštědel.
3. Zkontrolujte, zda jsou všechny nádoby a sběrné systémy uzemněné, aby se zabránilo statickému výboju. Nepoužívejte výstelky z kbelíků, pokud nemají antistatické nebo vodivé vlastnosti.
4. Udržujte v tomto prostoru dostatečný přísun čerstvého vzduchu.
5. Nekouřte cigarety v pracovním prostoru.
6. Nepoužívejte v pracovním prostoru vypínače, motory ani podobné jiskrové produkty.
7. Udržujte oblast čistou. Nesmí obsahovat hořlavé materiály.
8. Podívejte se na všechny bezpečnostní listy (MSDS) a nálepky na obalech.
9. Na místě by měla být funkční hasičská technika.
10. Zařízení generuje jiskry. Pokud se v nebo v blízkosti spotřebiče používá hořlavá kapalina, udržujte spotřebič alespoň 6 m od výbušných pár.

ELEKTRICKÁ BEZPEČNOST



1. Zástrčky elektrického nářadí musí pasovat do zásuvek. Je zakázáno plugin jakkoli upravovat. Nepřipojujte žádné adaptéry (adaptéry) k uzemněným elektrickým nářadím. Použití neupravených zásuvek a odpovídajících zásuvek snižuje pravděpodobnost úrazu elektrickým proudem.



2. Uzemněné nářadí musí být správně připojeno k instalované a uzemněné zásuce v souladu se všemi normami a předpisy. Je zakázáno odpojovat uzemňovací zástrčku nebo ji jakkoli upravovat. Nepoužívejte žádné adaptéry do zásuvky. Pokud si nejste jisti, zda je zásuvka správně uzemněná, poraďte se s kvalifikovaným elektrikářem. Pokud elektrické nářadí začne selhávat nebo selhávat, toto uzemnění poskytuje nízkoodporový způsob, jak může být elektřina z uživatele odváděna.
3. Vyhněte se kontaktu těla s uzemněnými povrchy, jako jsou trubky, topení, ledničky. Když je tělo uživatele uzemněno, zvyšuje se pravděpodobnost elektrického šoku.
4. Nevystavujte elektrické nářadí dešti ani vlhkosti. Vstup vody do elektrického nářadí zvyšuje riziko úrazu elektrickým proudem.

5. Používejte kabely podle plánu. Nikdy nepoužívejte kabeláž k přenášení, tahání nebo odpojování elektrického nářadí ze zásuvky. Držte kabel dál od tepla, oleje, ostrých hran a pohyblivých částí. Okamžitě vyměňte poškozené vodiče. Poškozené nebo zamotané kabely zvyšují riziko úrazu elektrickým proudem.
6. Při používání elektrického nářadí venku používejte prodlužovací kabely vhodné pro venkovní použití. Použití kabelů přizpůsobených venkovnímu použití snižuje pravděpodobnost úrazu elektrickým proudem

NEBEZPEČÍ POHYBLIVÝCH ČÁSTÍ



Pohyblivé části mohou stlačit, řezat nebo řezat vaše prsty a další části těla.



1. Vydržte se dál od pohyblivých částí.
2. Nepoužívejte zařízení bez ochranných krytů a krytů.
3. Živé vybavení může začít bez varování. Před kontrolou, přesunem nebo servisem zařízení odpojte všechny zdroje napájení.



NEBEZPEČÍ NESPRÁVNÉHO POUŽITÍ ZAŘÍZENÍ

Nesprávné používání vybavení může vést ke smrti nebo invaliditě.

1. Při práci vždy noste vhodný oční štít a respirátor nebo roušku.
2. Nespouštějte spotřebič ani nepracujte v blízkosti dětí. Podpora dětí
Pryč od zařízení.
3. Nepřekračujte normální rozsah ani neukládejte zařízení na nestabilní zem. Dobré držení těla a rovnováha by měly být udržovány.
4. Měli byste udržet koncentraci a soustředit se na aktuální aktivitu.
5. Nenechávejte spotřebič připojený k napájení bez dozoru. Když zařízení není v provozu, vypněte ho a proveďte dekompresní proceduru.
6. Neobsluhujte zařízení unavení nebo pod vlivem drog či alkoholu.
7. Neohněte ani nepřehýbejte hadici.
8. Nevystavujte kabel teplotám nebo napětím překračujícím hodnoty doporučené WABROTECH.
9. Nepoužívejte kabel k přesouvání nebo zvedání zařízení.

OSOBNÍ OCHRANNÉ PROSTŘEDKY



Noste vhodné ochranné pomůcky při pobytu v pracovním prostoru, abyste předešli vážným zraněním, včetně poranění oka, ztráty sluchu, účinků vdechování toxických výparů a popálenin.



Tato opatření zahrnují, ale nejsou omezena na: ochranné brýle, dýchací přístroje, ochranné oblečení a rukavice v souladu s doporučeními výrobce tekutých a rozpouštědel.



Při ovládání elektrického nářadí byste měli být ostražití, opatrní při práci a používat zdravý rozum. Nepoužívejte elektrické nářadí, když jste unavení nebo pod vlivem drog, alkoholu či léků. Okamžik rozptýlení při používání elektrického nářadí může vést k vážnému zranění.

1. Používejte bezpečnostní pomůcky. Vždy noste ochranné brýle. Ochranná opatření, jako je prachová maska, protiskluzové boty, helma nebo chrániče sluchu, pokud jsou správně používány, omezí osobní zranění.
2. Vyhněte se nechtěnému zařazení. Před připojením spotřebiče se ujistěte, že je spínač v poloze VYPNUTO. Položení prstu na jistič při nošení nebo zapojování spotřebičů s vypínačem v poloze ON zvyšuje riziko nehod.
3. Vyjměte nastavovací klíč před zapnutím spotřebiče. Klíč připevněný k rotující části nástroje může způsobit osobní zranění.
4. Nenaklánějte se příliš ven. Zaujměte stabilní pozici během operace. To zajišťuje lepší kontrolu elektrického nástroje v případě neočekávaných situací.
5. Noste vhodné oblečení. Nenoste volné oblečení ani šperky. Držte vlasy, oblečení a rukavice dál od pohyblivých částí. Volné oblečení, šperky nebo dlouhé vlasy se mohou zachytit a zaseknout v pohyblivých částech.
6. Pokud jsou k dispozici přístroje na odsávání a sběr prachu, ujistěte se, že jsou správně připojeny a používány. Používání těchto zařízení může snížit riziko prachu.

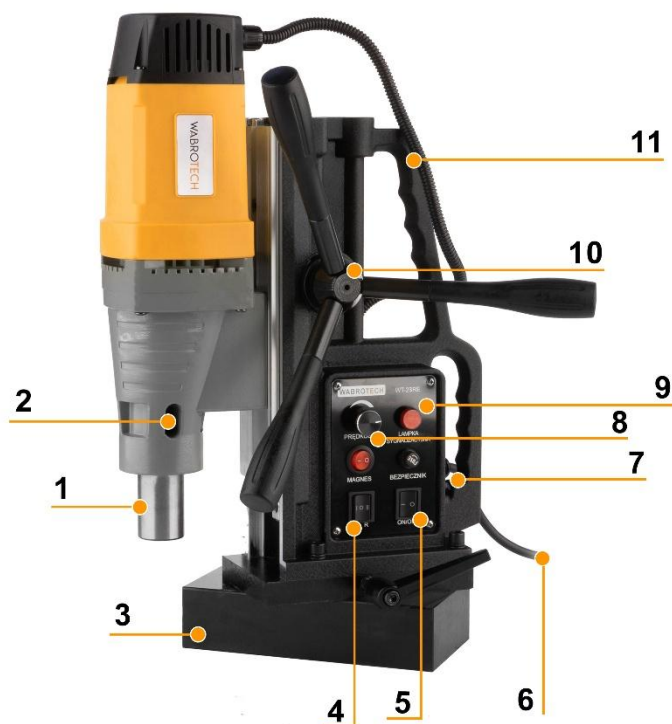
PŘIPOJENÍ K NAPÁJENÍ



Síťové napětí musí odpovídat napětí uvedenému na jmenovité desce zařízení. Za žádných okolností nesmí být nástroj použit, pokud je napájecí kabel poškozen. Poškozený kabel musí být okamžitě vyměněn autorizovaným zákaznickým servisem. Nepokoušejte se poškozený kabel opravovat sami. Použití poškozených elektrických kabelů může vést k úrazu elektrickým proudem.

DŮLEŽITÉ: Používejte pouze tří vodičový prodlužovací kabel, který má uzemňovací zástrčku se dvěma piny a otvorem a zásuvku, do které budete moci zasunout zástrčku spotřebiče se dvěma otvory a stopkou. Ujistěte se, že prodlužovací kabel je v dobrém stavu. Při používání prodlužovacího kabelu byste měli mít jistotu, že má dostatečné parametry pro proud, který zařízení dokáže odebrat. Kabel s příliš špatnými parametry způsobí pokles síťového napětí, což způsobí ztráty napájení a přehřátí. Doporučuje se použít kabel s průřezem 3 × 1,5 mm. Pokud má být prodlužovací kabel používán venku, musí být označen W-A po uvedení typu kabelu. Například označení SJTW-A by znamenalo, že kabel je vhodný pro venkovní použití.

2. VÝSTAVBA WT23RE



1	Držák nástroje	MT2 kuželové vřeteno (19mm Weldon sklíčidlo, závitové skřídlo B18 M3-M16, mandrel MT2 B18, čelistivá sklíčidlo MT2/3-16mm upevněno)
2	Punch	Nástrčnice, do které by měly být vyraženy rukojeti nebo vrtáky.
3	Magnetická noha	Plná účinnost magnetické slitiny s tloušťkou oceli 10 mm. Minimální účinnost s tloušťkou oceli 4 mm. Magnetická vrtačka WT23RE má pohyblivou magnetickou nožku.
4	Přepínač režimu vrtačky	Pozice 0 – Magnetický vrták Off Pozice vrtačky – Pozice vrtání REV – závitování
5	Vypínač ON/OFF	Magnetický elektrický spínač. POZOR! Při práci musí být nejprve zapnuta magnetická patka a stroj by měl být zdatný.
6	Pojistka	Magnetická nožní pojistka.
7	Zásuvka	Ukáže vám, kdy je magnetická patka zapnutá.
8	Kontrolka	Informuje o napájení vrtačky
9	Regulátor rychlosti	Použijte potenciometr k nastavení rychlosti přístroje.
10	Páka na posun	Používá se k nastavení polohy vřetenela.
11	Rukojeť	Podporuje přepravu magnetického vrtáku.

3. SPECIFIKACE

Model/výkon motoru	WT 23RE/1880 W
Napětí/frekvence/pojistka	230V/50Hz/C20 (Zkontrolujte název stroje)
Stupeň ochrany	II
Hladina hluku	60-90 dB
Rozsah průměru vrtání	MAX trubkové vrtače – 50 mm MAX pevné vrtáky – 23 mm
Maximální rotační rychlost	580 ot./min
Magnetická síla	13000N
Maximální pracovní zdvih	200 mm
Držák nástroje	MT2/3-16mm čelistivá sklíčidlo (19mm Weldon sklíčidlo, B18 M3-M16 závitové sklíčidlo, MT2 B18 mandrál, MT2/3-16mm čelistivá sklíčidlo lze namontovat)
Měkký start	ANO
Reverzní rotace (funkce závitování)	ANO M3-M16
Regulace rychlosti	ANO
Požadovaná okolní teplota	0- 40°C
Rozměry magnetické nohy	205 x 105 x 50 mm
Rozměry vrtáku	300 x 215 x 410 mm
Čistá/hrubá hmotnost	19,5 / 30,5 kg

4. ÚČEL MAGNETICKÉHO VRTÁNÍ

Magnetická vrtačka je vhodná pro vrtání feromagnetických materiálů (např. ocel), při instalaci, stavbě lodí, výrobě mostů, jeřábů, montážních pracích, zámečnických pracích, montáži ocelových konstrukcí atd.

Zařízení je vhodné jak pro jádrové, tak pro plné vrtání. Vrták má funkci závitování, když je zapojen zpětný chod. Zařízení lze používat v horizontální, vertikální i nadzemní poloze. Je třeba dbát na to, aby feromagnetický materiál měl dostatečnou plochu a tloušťku (**minimálně 10 mm**) pro přenos magnetické držící síly. Kontaktní plocha obrobku s elektromagnetem by měla být rovná, ale nesmí být neošetřena. Z povrchu obrobku je třeba odstranit rez a ořepinu, stejně jako lak a vrstvy tmelu. Při vrtání do materiálů pod 10 mm musí být pod obrobek umístěna ocelová deska odpovídající tloušťky, aby elektromagnet mohl přilnout k podkladu s větší silou. Nikdy neumísťujte magnetické vrtáky na izolační materiály (např. dřevo, beton atd.).

Upozorňujeme, že magnetická síla zmizí, když je přerušeno napájení ze sítě (když vypadne proud, když se zástrčka vytáhne ze zásuvky), doporučujeme vždy držet vrtačku bezpečnostním pásem.

Magnetické vrtáky nelze použít na obrobky při svařování elektrickým obloukem. Svařovací proud by mohl způsobit poškození stroje.

5. OMEZENÍ POUŽITÍ

Elektrické nářadí, příslušenství, nástroje atd. musí být používány v souladu s těmito předpisy a podle ustanovení tohoto speciálního spotřebiče. Je třeba brát v úvahu pracovní podmínky a činnost, která má být vykonána. Používání elektrického nářadí pro jiné účely, než jsou určeny, může vést k nebezpečným situacím.

Stroj lze používat pouze s vrtacími vrtáky a sklíčidly popsány v tomto manuálu.

Libovolné změny v mechanické a elektrické konstrukci, jakékoli úpravy a údržbové činnosti nepopsané v Provozní příručce budou považovány za nezákonné a vedou k okamžité ztrátě zárukových práv.

Nepřetěžujte spotřebič. Používejte elektrický nástroj, který je k tomu určen. Správný nástroj usnadňuje a bezpečnější práci s požadovaným spektrem aplikací.

Nepoužívejte elektrické nářadí, jehož vypínač je poškozený. Elektrický nástroj, který nelze zapnout ani vypnout, je nebezpečný a musí být opraven. Doporučujeme kontaktovat službu WABROTECH.

6. VRTACÍ BITY

Pamatujte, že nesmíte překročit doporučený průměr vrtáků podle jmenovací desky zařízení. Pamatujte, že práce s průměrem vrtu odpovídajícím maximálnímu průměru neseného zařízením znamená práci s co nejvyšším zatížením – je to přijatelné, ale pokud je nutné pracovat nepřetržitě nebo provádět velké množství vrtů, měli byste zvolit vrták s větším pracovním rozsahem.

7. TYPY VRTÁKŮ

- **WT23RE** (HSS kovové válcové vrtáky NWKc, válcové vrtáky HSSCo, vrtačky z karbidu wolframu).



- **WT23RE + WELDON sklíčidlo** (HSS kovové vrtáky NWKc, válcové vrtáky HSSCo, vrtačka z karbidu wolframu, vrtáky s kroucením kolejnic, TCT vrták pro trubky RAIL, HSS trepanační frézy, TCT trepanační frézy).



- **WT23RE + WELDON sklíčidlo + závitovací sklíčidlo** (HSS kovové válcové vrtáky NWKc, válcové vrtáky HSSCo, vrtačky z karbidu wolframu, vrtáky s rotačním závitem na kolejnice, TCT trubkový vrták pro kolejnice, HSS trepanační frézy, TCT trepanační frézy, závity)



8. NAPÁJENÍ

Před připojením stroje se ujistěte, že napájecí napětí odpovídá jmenovitému výkonu na desce. Instalace napájecího zdroje by měla být provedena měděným vodičem s minimálním průřezem alespoň 2,5 mm a měla by být vedena pojistkou C20. Napájecí systém musí být vybaven dobře fungujícím ochranným systémem a musí splňovat požadavky bezpečnostních předpisů pro používání.

Uspořádejte elektrický kabel tak, aby nebyl během provozu vystaven poškození. Pokud je nutné použít prodlužovací kabel, jeho délka by měla být zvolena tak, aby přebytek nepřekážel do práce. Prodlužovací kabel by měl být také vybaven ochranným kabelem. Nevypínajte zástrčku tím, že zatáhnete za napájecí kabel.

V případě výpadku proudu a zastavení stroje je povinné uvolnit tlačítko vypínače a vytáhnout zástrčku ze zásuvky. Jakmile budou příčiny výpadku proudu zjištěny a problém vyřešen, můžete pokračovat v práci. Nenechávejte přístroj zapojený bez dozoru. V případě přerušení provozu nebo po přerušení je nezbytné odpojit stroj od zásuvky.

9. ZAPNUTÍ STROJE

Spínač vrtačky se nachází na těle stroje.

Nastavte vrtací hrot nad vybraný vrtací bod. Než začnete vrtat, zkontrolujte, zda vrták dostatečně pevně přilne k povrchu. Podávání vrtačky se provádí ručně pomocí páky podáváče. Aby se předešlo přetížení magnetické vrtačky nebo předčasnému opotřebení nástroje, vyvíjejte na vrták vhodný tlak. Po dokončení vrtného procesu odstraňte třísky a/nebo vrtné jádro pro případ zlomení. Chlazení a mazání během vrtání by měly být přizpůsobeny použitému nástroji.

Vezměte prosím na vědomí, že magnetická síla zmizí, když je přerušeno napájení ze sítě (když vypadne proud, když se zástrčka vytáhne ze zásuvky). Pokud vrtáte v jiné poloze než vertikální, použijte přiložený bezpečnostní pás k připevnění zařízení.

V případě výpadku proudu je nezbytné, aby obsluha stroje zařízení vypnula a vytáhla zástrčku ze zásuvky. Jakmile je příčina výpadku proudu určena a odstraněna, můžete zástrčku znovu zapojit do zásuvky a pokračovat v provozu.

Nenechávejte stroj zapojený do sítě bez dozoru. V případě přerušení provozu nebo po přerušení provozu je nezbytné odpojit stroj od sítě vyjmutím zástrčky ze zásuvky.

10. UHLÍKOVÉ KARTÁČE

Uhlíkové kartáče jsou běžnou součástí opotřebení a musí být vyměněny, když dosáhnou limitu opotřebení. Stroj je vybaven uhlíkovými kartáči. Pokud se stroj nečekaně zastaví, zkontrolujte kartáče.

Poznámka: Vždy měňte štětce po párech

Jak vyměnit štětce:

- Jednoduše sundej krytky kartáčů a staré kartáče.

12. KONTROLNÍ AKTIVITY

Provedte kontrolu s vytaženou zástrčkou ze zásuvky.

Před spuštěním magnetické vrtačky zkontrolujte stav pracovního nástroje. Jakákoli vada nebo prasklina vrtačky vylučuje nástroj. Je nutné instalovat nové, bez vad.

Zařízení by mělo být pečlivě opečováváno. Je nutné zkontrolovat, zda pohyblivé části spotřebiče fungují bezchybně, nejsou zablokované, že nejsou popraskané nebo poškozené, což by mohlo ovlivnit správné fungování spotřebiče. Nechte opravit poškozené díly před použitím spotřebiče. Mnoho nehod je způsobeno nesprávnou údržbou elektrického nářadí.

Zkontrolujte stav elektrografických kartáčů. Pokud zjistíte, že jsou kratší než 4 mm, vyměňte je za nové. Vezměte prosím na vědomí, že rezné zbytky keramických materiálů jsou korozivní. Nenechávejte stroj nevyčištěný po skončení práce. To může vést ke korozi jednotlivých částí vrtačky.

13. KOMPATIBILITA

Magnetická vrtačka je kompatibilní s následujícími nástroji:

- Vrtací sklíčidlo weldon 19mm
- Držák závitu B18 M3-M16
- Sklíčidlo vrtačky b16/3-16mm
- Chladicí nádrž



Pokyny k sestavení držáku nástroje:

3. Zasuňte příslušenství do drážky nástroje. Tlačte, dokud rukojeť pevně nezasedne v drážce nástroje. Jemně je stahujte dolů, ujistěte se, že není žádná volnost.



4. Vyrážte nástroj s klínem součástí sady. Vložte klin do otvoru nad drážkou nástroje. Držte nástroj jednou rukou a druhou jemně udeřte kladivem do klínu. Nástroj vyskočí ze štěrbině a sklouzne dolů. Můžete úspěšně přejít k instalaci jiného nástroje.



Návod k instalaci chladicí nádrže.

2. Na pravé nebo levé straně těla vrtačky, v závislosti na modelu, je místo pro montáž chladicí nádrže. Nádrž je vybavena hadicí, maticí, plechovou rukojetí a šroubem s křížným řezem. Plechovou rukojeť přišroubujte přímo na zásobník pomocí šroubu. Hadici připojte k nádrži pomocí konektoru. Pak umístěte držák na plech s nádrží na dva šrouby na boku těla vrtačky a šroubovákem šrouby utáhněte.



13. ŘEŠENÍ PROBLÉMŮ

Problém	Příčina	Řešení
Vrták nefunguje	Napájecí kabel je špatně připojený nebo poškozený	Zatlačte zástrčku hlouběji do zásuvky Zkontrolujte napájecí kabel
	V zásuvce není žádné síťové napětí	Zkontrolujte napětí na zásuvce nebo jestli pojistka nevypadla.
	Opotřebované kartáče motoru	Vyměňte kartáče za nové
	Zlomený spínač	Vyměňte spínač za nový
	Vadný jistič PRCD pro zbytkový proud	Vyměňte jistič zbytkového proudu
	Vibrace	Zkontrolujte stav vrtáku nebo vřetena.

DEFINÍCIE PIKTOGRAMOV POUŽITÝCH V NÁVODE NA POUŽITIE:



PREČÍTAJTE SI PRÍRUČKU



POUŽÍVAJTE MASKY PROTI PRACHU



POUŽÍVAJTE PROSTRIEDKY NA OCHRANU OČÍ



POZNÁMKA! POUŽITE UZEMNENIE



Dodržiňte pokyny označené týmto symbolom v texte!



Varovanie pred úrazom elektrickým prúdom



Varovanie pohyblivých častí



Skladujte oddelene a likvidujte v súlade s environmentálnymi normami



Varovanie pred nebezpečenstvom výbuchu

1. BEZPEČNOSTNÉ TIPY



Všeobecné bezpečnostné pokyny pre elektrické náradie

Prečítajte si všetky tipy a recepty. Nedodržanie nižšie uvedených pokynov môže viesť k úrazu elektrickým prúdom, požiaru a/alebo vážnemu zraneniu. Všetky predpisy a bezpečnostné pokyny si starostlivo uchovávajte pre ďalšie informácie. Ako je použité v texte nižšie, pojem "elektrické náradie" označuje elektrické náradie napájané zo siete (pomocou napájacieho kábla) a batériové náradie (bez napájacieho kábla).

1. Bezpečnosť na pracovisku

- Pracovisko by malo byť udržiavané čisté a dobre osvetlené. Neporiadok na pracovisku alebo v neosvetlenom pracovisku môže spôsobiť nehody.
- Tento elektrický nástroj nepoužívajte v potenciálne výbušných prostrediach, ako sú horľavé kvapaliny, plyny alebo prach. Pri prevádzke elektrického náradia vznikajú iskry, ktoré môžu spôsobiť zapálenie.
- Pri používaní spotrebiča je potrebné dbať na to, aby deti a ďalší okoloídúci boli v bezpečnej vzdialenosti. Rozptýlenie môže spôsobiť, že stratíte kontrolu nad nástrojom.

2. Elektrická bezpečnosť

- Zástrčka elektrického náradia musí zapadnúť do zásuvky. Nijako nemení zástrčku. Neupravujte adaptéry na elektrické náradie s ochranným uzemňovacím pripojením. Neupravené zástrčky a zodpovedajúce zásuvky znižujú riziko úrazu elektrickým prúdom.
- Vyhňte sa kontaktu so uzemnenými povrchmi, ako napríklad; potrubia, radiátory, sporáky a chladničky. Riziko elektrického šoku je vyššie, keď je telo používateľa uzemnené.

- C. Spotřebič musí být chráněn před deštěm a vlhkostí. Voda vstupující do elektrického náradia zvyšuje riziko úrazu elektrickým proudem.
- D. Nikdy nepoužívejte kábel na jiné aktivity. Nikdy nenos elektrický náradie za kábel ani ho nepoužívejte na jeho zavesenie. Tiež nevyťahujte zástrčku zo zásuvky ťahaním za kábel. Kábel by mal byť chránený pred vysokými teplotami, pred olejom, ostrými hranami alebo pohyblivými časťami spotrebiča. Poškodené alebo zamotané vodiče zvyšujú riziko úrazu elektrickým proudom.
- E. Pri používaní elektrického náradia vonku použijete predlžovací kábel, ktorý je vhodný aj na vonkajšie použitie. Použitie správneho predlžovacieho kábla (vhodného na vonkajšie použitie) znižuje riziko úrazu elektrickým proudom.
- F. Ak sa elektrický náradie nedá používať vo vlhkom prostredí, použijete istič s reziduálnym proudom. Použitie ističa s reziduálnym proudom znižuje riziko úrazu elektrickým proudom.

3. Osobná bezpečnosť

- A. Pri ovládaní elektrického náradia buďte opatrní a každý pohyb vykonávajte s opatrnosťou a starostlivosťou. Nepoužíajte elektrické náradie, keď ste unavení alebo pod vplyvom drog, alkoholu či liekov. Okamih nepozornosti pri používaní elektrického náradia môže spôsobiť vážne osobné zranenie.
- B. Noste osobné ochranné pomôcky a ochranné okuliare neustále. Nosenie osobných ochranných prostriedkov – ochranného rúška, obuvaných topánok, prilby alebo sluchu (v závislosti od typu a použitia elektrického náradia) – znižuje riziko osobného zranenia.
- C. Vyhnite sa náhodnému spusteniu nástroja. Uistite sa, že je nástroj vypnutý pred vložením zástrčky do zásuvky a/alebo pripojením k batériovému balíku, ako aj pred zdvihnutím alebo presunutím elektrického náradia. Držanie prsta na spínači pri prenášaní elektrického náradia alebo jeho pripojenie k zdroju napájania môže spôsobiť nehodu.
- D. Pred zapnutím elektrického náradia odstráňte nastavovacie nástroje alebo kľúče. Nástroj alebo kľúč v pohyblivých častiach spotrebiča môže spôsobiť osobné zranenie.
- E. Neprirodzené polohy tela by sa mali počas práce vyhýbať. Mali by ste sa starať o stabilnú pracovnú pozíciu a udržiavať rovnováhu. Týmto spôsobom bude možné lepšie ovládať elektrický nástroj v nepredvídaných situáciách.
- F. Vhodné oblečenie by malo byť oblečené. Nenoste voľné oblečenie ani šperky. Udržiavajte vlasy, oblečenie a rukavice mimo pohyblivých častí nástroja. Voľné oblečenie, šperky alebo dlhé vlasy môžu byť vtiahnuté dovnútra pohyblivými časťami a viesť k nehode.
- G. Ak je možné nainštalovať zariadenia na odsávanie a zber prachu, uistite sa, že sú správne pripojené a používané. Použitie vysúvacieho zariadenia môže znížiť riziko vdýchnutia prachu.

4. Správna prevádzka a prevádzka elektrického náradia

- A. Nepreťažujte spotrebič. Použite elektrický nástroj určený na tento účel. S vhodným elektrickým náradím môžete pracovať lepšie a bezpečnejšie v rozsahu výkonu.
- B. Nepoužíajte elektrické náradie, ktorému je poškodený vypínač zapnutia/vypnutia. Elektrický nástroj, ktorý sa nedá zapnúť ani vypnúť, je nebezpečný a musí byť opravený.
- C. Pred nastavením spotrebiča, výmenou príslušenstva alebo zastavením náradia vytiahnite zástrčku zo zásuvky a/alebo batériu. Tieto opatrenia zabraňujú neúmyselnému zapnutiu elektrického náradia.
- D. Držte elektrický náradie mimo dosahu detí, keď ho nepoužívate. Nezdierajte tento nástroj s nikým, kto ho nepozná alebo nečítal tieto ustanovenia. Elektrické náradie používané neskúsenými ľuďmi je nebezpečné.

- E. Správna údržba elektrického náradia je nevyhnutná. Skontrolujte, či pohyblivé časti elektrického náradia fungujú správne a nie sú upchaté, poškodené alebo poškodené spôsobom, ktorý by ovplyvnil správnu prevádzku elektrického náradia. Nechajte opraviť poškodené diely pred použitím spotrebiča. Mnohé nehody sú spôsobené nesprávnou údržbou elektrického náradia.
- F. Používajte elektrické náradie, príslušenstvo, pomocné náradie a podobne v súlade s týmito pokynmi a zamýšľaným použitím. Podmienky a typ práce, ktorú treba vykonať, by sa mali zohľadniť. Nesprávne používanie elektrického náradia môže viesť k nebezpečným situáciám.

5. Služba

- B. Nechajte elektrický náradie opraviť len kvalifikovaným odborníkom a použite originálne náhradné diely. Tým sa zabezpečuje zachovanie bezpečnosti zariadenia. Odporúčame opravy v autorizovanom servisnom centre WABROTECH.

RIZIKO POŽIARU A VÝBUCHU



Horľavé výpary z rozpúšťadiel a farieb na pracovisku sa môžu vznietiť alebo explodovať. Aby ste predišli požiaru alebo výbuchu, mali by ste:

1. Vyhnite sa práci v blízkosti horľavých a horľavých materiálov v blízkosti otvorených plameňov alebo zdrojov zapalovania, ako sú cigarety, vonkajšie motory a iné elektrické spotrebiče.
2. Statická elektrina predstavuje riziko požiaru alebo výbuchu v prítomnosti pary farby alebo rozpúšťadiel.
3. Skontrolujte, či sú všetky nádoby a zberné systémy uzemnené, aby sa zabránilo statickému výboju. Nepoužívajte vložky do vedier, pokiaľ nemajú antistatické alebo vodivé vlastnosti.
4. Udržiavajte v tomto priestore dostatočný prísun čerstvého vzduchu.
5. Nefajčte cigarety v pracovnom priestore.
6. Nepoužívajte spínače, motory ani podobné iskrové zariadenia v pracovnej oblasti.
7. Udržiavajte priestor čistý. Nesmie obsahovať horľavé materiály.
8. Pozrite si všetky bezpečnostné listy (MSDS) a štítky na obale.
9. Funkčné hasičské vybavenie by malo byť na mieste.
10. Zariadenie generuje iskry. Ak sa v zariadení alebo v jeho blízkosti používa horľavá kvapalina, udržiavajte zariadenie aspoň 6 m od výbušných výpar.

ELEKTRICKÁ BEZPEČNOSŤ



1. Zástrčky elektrického náradia musia pasovať do zásuviek. Je zakázané akokoľvek meniť plugin. Nepripájajte žiadne adaptéry (adaptéry) k uzemneným elektrickým náradím. Použitie neupravených zásuviek a zodpovedajúcich zásuviek znižuje pravdepodobnosť úrazu elektrickým prúdom.
2. Uzemnené náradie musí byť správne pripojené k nainštalovanej a uzemnenej zástrčke v súlade so všetkými normami a predpismi. Je zakázané odpojovať uzemňovaciu zástrčku alebo ju akokoľvek upravovať. Nepoužívajte žiadne adaptéry v zásuvke. Ak si nie ste istí, či je zásuvka správne uzemnená, poraďte sa s kvalifikovaným elektrikárom. Ak elektrický náradie začne zlyhávať alebo zlyhávať, toto uzemnenie poskytuje nízko odporový spôsob, ako môže byť elektrina odklonená od používateľa.

3. Vyhnite sa kontaktu tela s uzemnenými povrchmi, ako sú potrubia, ohrievače, chladničky. Keď je telo používateľa uzemnené, zvyšuje sa pravdepodobnosť elektrického šoku.
4. Nevystavujte elektrický náradie dažďu ani vlhkosti. Voda vstupujúca do elektrického náradia zvyšuje riziko úrazu elektrickým prúdom.
5. Používajte káble podľa plánu. Nikdy nepoužívajte káble na prenášanie, vyťahovanie alebo odpojenie elektrického náradia zo zásuvky. Držte kábel mimo tepla, oleja, ostrých hrán a pohyblivých častí. Okamžite vymeňte poškodené káble. Poškodené alebo zamotané káble zvyšujú riziko úrazu elektrickým prúdom.
6. Pri používaní elektrického náradia vonku používajte predlžovacie káble vhodné na vonkajšie použitie. Používanie káblov prispôbených na vonkajšie použitie znižuje pravdepodobnosť úrazu elektrickým prúdom.

NEBEZPEČENSTVO POHYBLIVÝCH ČASTÍ



Pohyblivé časti môžu stlačiť, rezať alebo rezať vaše prsty a iné časti tela.



1. Vyhýbajte sa pohyblivým častiam.
2. Nepoužívajte zariadenie bez ochranných krytov a krytov.
3. Živé zariadenia môžu začať bez varovania. Pred kontrolou, presunom alebo servisom zariadenia odpojte všetky zdroje napájania.



NEBEZPEČENSTVO NESPRÁVNEHO POUŽITIA ZARIADENIA

Nesprávne používanie vybavenia môže viesť k smrti alebo invalidite.

1. Pri práci vždy noste vhodný očný štít a respirátor alebo rúško.
2. Nepoužívajte spotrebič ani nepracujte v blízkosti detí. Podpora detí
Preč od zariadenia.
3. Neprekračujte normálny rozsah ani neukladajte zariadenie na nestabilnú zem. Správne držanie tela a rovnováha by sa mali udržiavať.
4. Mali by ste si udržať koncentráciu a sústrediť sa na aktuálnu činnosť.
5. Nenechávajte spotrebič pripojený k napájaniu bez dozoru. Keď zariadenie nie je v prevádzke, vypnite ho a vykonajte dekompresný procedúr.
6. Nepoužívajte zariadenie, keď ste unavení alebo pod vplyvom drog či alkoholu.
7. Neohýbajte ani neohýbajte hadicu.
8. Nevystavujte kábel teplotám alebo napätiam presahujúcim odporúčané hodnoty WABROTECH.
9. Nepoužívajte kábel na pohyb alebo zdvíhanie zariadenia.

OSOBNÉ OCHRANNÉ PROSTRIEDKY



Noste vhodné ochranné pomôcky v pracovnom priestore, aby ste predišli vážnym zraneniam, vrátane poranenia oka, straty sluchu, účinkov vdýchnutia toxických výparov a popálenín.



Tieto opatrenia zahŕňajú, ale nie sú obmedzené na: okuliare, dýchacie prístroje, ochranné oblečenie a rukavice v súlade s odporúčaniami výrobcu pre kvapaliny a rozpúšťadlá.



Pri práci s elektrickým náradím by ste mali byť ostražití, opatrní a používať zdravý rozum. Nepoužívajte elektrické náradie, keď ste unavení alebo pod vplyvom drog, alkoholu či liekov. Okamih rozptýlenia pri používaní elektrického náradia môže viesť k vážnemu zraneniu.

1. Používajte bezpečnostné pomôcky. Vždy noste ochranné okuliare. Ochranné opatrenia, ako je prachová maska, protišmykové topánky, prilba alebo chrániče sluchu, ak sa používajú správne, obmedzia osobné zranenia.
2. Vyhnite sa nechcenému začleneniu. Pred pripojením spotrebiča sa uistite, že je vypínač v polohe VYPNUTÉ. Položenie prsta na istič pri nosení alebo zapájaní spotrebičov s vypínačom v polohe ON zvyšuje riziko nehôd.
3. Odstráňte nastavovací kľúč pred zapnutím spotrebiča. Kľúč pripevnený k rotujúcej časti nástroja môže spôsobiť osobné zranenie.
4. Nenakláňajte sa príliš von. Počas operácie zaujmite stabilnú pozíciu. To zabezpečuje lepšiu kontrolu elektrického náradia v prípade neočakávaných situácií.
5. Noste vhodné oblečenie. Nenoste voľné oblečenie ani šperky. Držte vlasy, oblečenie a rukavice mimo pohyblivých častí. Voľné oblečenie, šperky alebo dlhé vlasy sa môžu zachytiť a zaseknúť v pohyblivých častiach.
6. Ak sú k dispozícii zariadenia na odsávanie a zber prachu, uistite sa, že sú správne pripojené a používané. Používanie týchto zariadení môže znížiť riziko prachu.

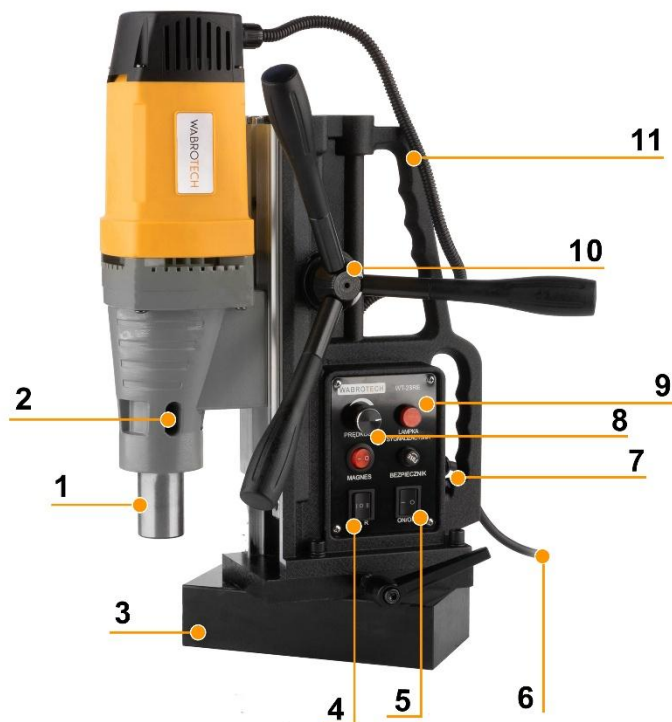
PRIPOJENIE K NAPÁJANIU



Sieťové napätie musí zodpovedať napätiu uvedenému na menovitej doske zariadenia. Za žiadnych okolností by sa nástroj nemal používať, ak je napájací kábel poškodený. Poškodený kábel musí byť okamžite vymenený autorizovaným zákazníckym servisom. Nepokúšajte sa opravovať poškodený kábel sami. Použitie poškodených elektrických káblov môže viesť k úrazu elektrickým prúdom.

DÔLEŽITÉ: Používajte len trojvodičový predlžovací kábel, ktorý má uzemňovaciu zástrčku s dvoma pinmi a otvorom a zásuvku, do ktorej budete môcť zapojiť zástrčku spotrebiča s dvoma otvormi a stopkou. Uistite sa, že predlžovací kábel je v dobrom stave. Pri používaní predlžovacieho kábla by ste mali mať istotu, že má dostatočné parametre pre prúd, ktorý zariadenie dokáže odoberať. Kábel s príliš zlými parametrami spôsobí pokles sieťového napätia, čo spôsobí straty napájania a prehriatie. Odporúča sa použiť kábel s prierezom 3 × 1,5 mm. Ak sa predlžovací kábel používa vonku, musí byť označený W-A po uvedení typu kábla. Napríklad označenie SJTW-A by znamenalo, že kábel je vhodný na vonkajšie použitie.

2. VÝSTAVBA WT23RE



1	Držiak nástroja	MT2 kuželové vreteno (19mm Weldon sklúčovadlo, B18 M3-M16 závitové sklúčovado, MT2 B18 mandel, MT2/3-16mm pevné sklúčovacie sklúčo)
2	Punch	Nástrček, do ktorého by sa mali vyraziť rukoväťe alebo vrtáky.
3	Magnetická noha	Plnoúčinná magnetická zliatina s hrúbkou ocele 10 mm. Minimálna účinnosť s hrúbkou ocele 4 mm. Magnetická vrtáčka WT23RE má pohyblivú magnetickú nožku.
4	Prepínač režimu vrtáčky	Poloha 0 – Magnetický vrták mimo Poloha vrtáka – Poloha vrtáka REV – závitovanie
5	Vypínač ON/OFF	Magnetický elektrický spínač. POZOR! Pri práci je potrebné najprv zapnúť magnetickú nožku a stroj by mal byť v dobrom stave.
6	Poistka	Magnetický foot lock.
7	Zásuvka	Ukáže ti, kedy je magnetická noha zapnutá.
8	Kontrolka	Informuje o napájaní vrtáčky
9	Regulátor rýchlosti	Použite potenciometer na nastavenie rýchlosti prístroja.
10	Radiaca páka	Používa sa na nastavenie polohy vretena.
11	Rukoväť	Podporuje prepravu magnetických vrtákov.

3. ŠPECIFIKÁCIE

Model/výkon motora	WT 23RE/1880 W
Napätie/frekvencia/poistka	230V/50Hz/C20 (skontrolujte názov stroja)
Stupeň ochrany	II
Úroveň hluku	60-90 dB
Rozsah priemeru vrtania	MAX rúrkové vrtáky - 50mm MAX pevné vrtáky - 23 mm
Maximálna rotačná rýchlosť	580 ot./min
Magnetická sila	13000N
Maximálny pracovný zdvih	200 mm
Držiak nástroja	Čelústné sklúčovadlo MT2/3-16mm (19mm Weldon sklúčovadlo, B18 M3-M16 závitové sklúčovadlo, MT2 B18 mandragora, MT2/3-16mm čelústné sklúčovadlo môže byť namontované)
Mäkký štart	ÁNO
Reverzná rotácia (závitová funkcia)	ÁNO M3-M16
Regulácia rýchlosti	ÁNO
Požadovaná okolitá teplota	0- 40°C
Rozmery magnetickej stopy	205 x 105 x 50 mm
Rozmery vrtáka	300 x 215 x 410 mm
Čistá/hrubá hmotnosť	19,5 / 30,5 kg

4. ÚČEL MAGNETICKÉHO VRTANIA

Magnetická vrtačka je vhodná na vrtanie feromagnetických materiálov (napr. ocele), pri inštaláciách, stavbe lodí, výrobe mostov, výrobe žeriavov, montážnych prácach, zámočnickej práci, montáži oceľových konštrukcií a podobne.

Zariadenie je vhodné na jadrové aj plné vrtanie. Vrták má funkciu závitovania, keď sa aktivuje spätný chod. Zariadenie je možné používať v horizontálnej, vertikálnej aj nadzemnej polohe. Je potrebné dbať na to, aby feromagnetický materiál mal dostatočnú povrchovú plochu a hrúbku (**aspoň 10 mm**) na prenos magnetickej držacej sily. Kontaktná plocha obrobku s elektromagnetom by mala byť plochá, ale nie neošetrená. Hrdza a lopúch, ako aj lak a vrstvy tesniaceho materiálu, musia byť z povrchu obrobku odstránené. Pri vrtaní do materiálov pod 10 mm musí byť pod obrobok umiestnená oceľová platňa primeranej hrúbky, aby elektromagnet mohol prilnúť na podklad s väčšou silou. Nikdy neumiestňujte magnetické vrtáky na izolačné materiály (napr. drevo, betón a pod.).

Upozorňujeme, že magnetická sila zmizne, keď dôjde k prerušeniu napájania zo siete (keď vypadne prúd, keď sa zástrčka vytiahne zo zásuvky), odporúčame vždy držať vrtačku v bezpečnostnom páse.

Magnetické vrtáky sa nedajú použiť na obrobky pri elektrickom oblúkovom zvarení. Zvarací prúd môže poškodiť stroj.

5. OBMEDZENIA POUŽITIA

Elektrické náradie, príslušenstvo, náradie a podobne musia byť používané v súlade s týmito predpismi a v súlade s ustanoveniami tohto špeciálneho zariadenia. Je potrebné zohľadniť pracovné podmienky a činnosť, ktorá sa má vykonávať. Použitie elektrického náradia na iné účely, než sú zamýšľané, môže viesť k nebezpečným situáciám.

Stroj je možné používať iba s vrtákmi a sklúčovadlami opísanými v tomto manuáli.

Akékoľvek zmeny v mechanickej a elektrickej konštrukcii, akékoľvek úpravy a údržbárske činnosti popísané v Prevádzkovej príručke budú považované za nezákonné a budú viesť k okamžitej strate zárukových práv.

Nepreťažujte spotrebič. Použite elektrický nástroj určený na tento účel. Správny nástroj uľahčuje a zvyšuje bezpečnosť pri práci s potrebným spektrom aplikácií.

Nepoužívajte elektrické náradie, ktorému je poškodený vypínač zapnutia/vypnutia. Elektrický nástroj, ktorý sa nedá zapnúť ani vypnúť, je nebezpečný a musí byť opravený. Odporúčame kontaktovať službu WABROTECH.

6. VRTNÉ BITY

Pamätajte, že nesmiete prekročiť odporúčaný priemer vrtáka podľa názvu zariadenia. Pamätajte, že práca s priemerom vrtu zodpovedajúcim maximálnemu priemeru zariadenia znamená pracovať s najvyšším možným zaťažením – to je prijateľné, ale ak je potrebné pracovať nepretržite alebo vytvoriť veľké množstvo vrtov, mali by ste si vybrať vrták s väčším pracovným rozsahom.

7. TYPY VRTÁKOV

- **WT23RE** (HSS kovové valcové vrtáky NWKc, valcové vrtáky HSSCo, vrtáky z karbidu volfrámu).



- **WT23RE + WELDON skľučovadlá** (HSS kovové vrtáky NWKc, HSSCo valcové vrtáky, vrták z karbidu volfrámu, vrtáky s krútením koľajníc, TCT vrták pre RAIL rúry, HSS trepanačné frézy, TCT trepanačné frézy).



- **WT23RE + WELDON skľučovadlá + závitové skľučovadlo** (HSS kovové valcové vrtáky NWKc, valcové vrtáky HSSCo, vrtáky z karbidu volfrámu, vrtáky s rotačným závitom, vrtáky s rotačným závitom na koľajnice, HSS trepanačné frézy, TCT trepanačné frézy, závit)



8. NAPÁJANIE

Pred pripojením stroja sa uistite, že napájacie napätie zodpovedá nominálnemu výkonu na doske. Inštalácia napájacieho zdroja by mala byť vykonaná medeným vodičom s minimálnym prierezom aspoň 2,5 mm a mala by byť vedená poistkou C20. Napájací systém musí byť vybavený dobre fungujúcim ochranným systémom a musí spĺňať požiadavky bezpečnostných predpisov pre používanie.

Usporiadajte elektrický kábel tak, aby nebol počas prevádzky vystavený poškodeniu. Ak je potrebné použiť predlžovací kábel, jeho dĺžka by mala byť zvolená tak, aby prebytok neprekážal práci. Predlžovací kábel by mal byť tiež vybavený ochranným káblom. Nevypínajte zástrčku ťahaním za napájací kábel.

V prípade výpadku elektriny a zastavenia stroja je povinné uvoľniť tlačidlo zapnutia/vypnutia a odpojiť zástrčku zo zásuvky. Keď sú príčiny výpadku elektriny identifikované a problém vyriešený, môžete pokračovať v práci. Nenechávajte spotrebič zapojený do zásuvky bez dozoru. V prípade prerušenia prevádzky alebo po ňom je nevyhnutné odpojiť stroj zo zásuvky.

9. ZAPNUTIE STROJA

Spínač vŕtačky sa nachádza na tele stroja.

Nastavte hrot vŕtačky nad vybraný vrtací bod. Predtým, než začnete vŕtať, skontrolujte, či vrták dostatočne pevne drží na povrchu. Podávanie vrtáka sa vykonáva manuálne pomocou páky podávača. Aby ste predišli preťaženiu magnetickej vŕtačky alebo predčasnemu opotrebovaniu nástroja, vyvíjajte na vŕtačku primeraný tlak. Po dokončení vŕtacieho procesu odstráňte triesky a/alebo vrtné jadro v prípade poškodenia. Chladenie a mazanie počas vŕtania by mali byť prispôbené použitému nástroju.

Upozorňujeme, že magnetická sila zmizne, keď je prerušené napájanie zo siete (keď výpadok napájania po vytiahnutí zástrčky zo zásuvky). Ak vrtáte v inej polohe než vertikálnej, použite priložený bezpečnostný pás na pripevnenie zariadenia.

V prípade výpadku napájania je nevyhnutné, aby obsluha stroja zariadenie vypla a vytiahla zástrčku zo zásuvky. Keď je príčina výpadku elektriny určená a opravená, môžete zástrčku zapojiť späť do zásuvky a pokračovať v prevádzke.

Nenechávajte stroj zapojený bez dozoru. V prípade prerušenia prevádzky alebo po prerušení prevádzky je nevyhnutné odpojiť stroj od elektrickej siete odpojením zástrčky zo zásuvky.

10. UHLÍKOVÉ KEFY

Uhlíkové kefy sú bežnou súčasťou opotrebenia a musia sa vymeniť, keď dosiahnu svoj limit opotrebenia. Stroj je vybavený uhlíkovými kefami. Ak sa stroj nečakane zastaví, skontrolujte kefy.

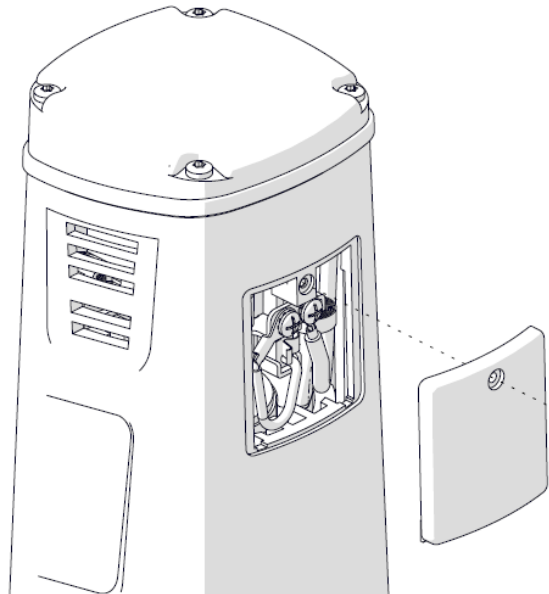
Poznámka: Vždy meňte štetce v pároch

Ako vymeniť štetce:

- Jednoducho odstráňte kryty štetcov a staré kefy.

- Pri výmene štetcov za nové (vždy ich meňte po pároch), uistite sa, že sú správne nastavené.

UPOZORNENIE: Všetky opravy musia byť doručené do autorizovaného servisného centra. Nesprávne vykonané opravy môžu viesť k zraneniu alebo smrti. Odporúčame kontaktovať službu WABROTECH.



11. ČISTENIE NA VODÍTKACH

Každých 50 hodín prevádzky sa uistite, že vodidlá sú správne nastavené. Na to pohybujte motorom hore a dole tak, aby sa pohyboval plynulo.

Na nastavenie vodidiel je potrebné natrieť tenkou vrstvou lubrikanta. Potom použite šesťhranný kľúč a jemne povolte skrutky. Umiestnite motor tak, aby bol posuvník uprostred vodičích vodičov. Potom skrutky jemne dotiahni, aby sa dotýkali vodiacej plochy. Pohybujte motorom hore a dole a nastavte skrutky tak, aby pohyb bol plynulý.



12. KONTROLNÉ AKTIVITY

Skontrolujte to tak, že zástrčka je vytiahnutá zo zásuvky.

Pred spustením magnetickej vrtačky skontrolujte stav pracovného nástroja. Akákoľvek chyba alebo prasklina vo vrtačke vyradí nástroj. Je potrebné nainštalovať nové, bez chýb.

Zariadenie by sa malo starostlivo udržiavať. Je potrebné skontrolovať, či pohyblivé časti spotrebiča fungujú bezchybne, nie sú upchaté, či nie sú prasknuté alebo poškodené, čo by mohlo ovplyvniť správnu funkciu spotrebiča. Nechajte opraviť poškodené diely pred použitím spotrebiča. Mnohé nehody sú spôsobené nesprávnou údržbou elektrického náradia.

Skontrolujte stav elektrografických kefiiek. Ak zistíte, že sú kratšie ako 4 mm, nahradte ich novými. Upozorňujeme, že zvyšky hrdze keramických materiálov sú korozívne. Nenechávajte práčku nevyčistenú po práci. To môže viesť ku korózii jednotlivých častí vrtačky.

13. KOMPATIBILITA

Magnetická vrtačka je kompatibilná s nasledujúcimi nástrojmi:

- Vŕtacie skľučovadlá weldon 19mm
- Držiak závitů B18 M3-M16
- Skľučovadlo vrtačky b16/3-16mm
- Chladiaca nádrž



Pokyny na montáž držiaka nástroja:

1. Vložte príslušenstvo do drážky nástroja. Tlačte, kým rukoväť pevne nezapadne do drážky nástroja. Jemne ich stiahni dole, dávaj pozor, aby neboli voľné.



2. Vyrazte klinový nástroj, ktorý je súčasťou sady. Vložte klin do otvoru nad drážkou nástroja. Držte nástroj jednou rukou a druhou jemne udielajte klin kladivom. Nástroj vyskočí z drážky a skĺzne dole. Môžete úspešne pokračovať v inštalácii ďalšieho nástroja.



Pokyny k inštalácii chladiacej nádrže.

1. Na pravej alebo ľavej strane tela vrtáka, v závislosti od modelu, je miesto na pripojenie chladiacej nádrže. Nádrž je vybavená hadicou, maticou, plechovou rukoväťou a krížovou skrutkou. Plechovú rukoväť priskrutkujte priamo na tácku pomocou skrutky. Hadicu pripojte k nádrži pomocou konektora. Potom umiestnite držiak na podnos s nádržkou na dve skrutky na boku tela vrtáčky a skrutkovačom ich dotiahnite.



13. RIEŠENIE PROBLÉMOV

Problém	Príčina	Riešenie
Vrtačka nefunguje	Napájací kábel je zle pripojený alebo poškodený	Zatlačte zástrčku hlbšie do zásuvky
		Skontrolujte napájací kábel
	V zásuvke nie je žiadne sieťové napätie	Skontrolujte napätie na zásuvke alebo či poistka nevypadla.
	Opotrebované kefyky motora	Vymeniť štetce za nové
	Zlomený spínač	Vymeniť vypínač za nový
	Chybný istič PRCD pre zvyškový prúd	Vymeniť istič zvyškového prúdu
	Vibrácie	Skontrolujte stav vrtáka alebo vretena.

DEFINIZIONI DEI PITTOGRAMMI UTILIZZATI NEL MANUALE:

 LEGGI IL MANUALE	 USA MASCHERE ANTIPOLVERE	 USA LA PROTEZIONE PER GLI OCCHI
 ATTENZIONE! USA LA MESSA A TERRA	 Segui le istruzioni contrassegnate con questo simbolo nel testo!	 Allarme scossa elettrica
 Avviso sulle parti mobili	 Conserva separatamente e smalti come indicato in conformità con gli standard ambientali	 Allarme di rischio esplosione

1. CONSIGLI DI SICUREZZA

Istruzioni generali di sicurezza per utensili elettrici

Leggi tutti i consigli e le ricette. Il mancato rispetto delle istruzioni seguenti può causare scosse elettriche, incendi e/o gravi lesioni personali. Mantenete attentamente tutte le normative e le istruzioni di sicurezza per ulteriori riferimenti. Come utilizzato nel testo sottostante, il termine "utensile elettrico" si riferisce agli utensili elettrici alimentati dalla rete elettrica (con un cavo di alimentazione) e agli utensili elettrici alimentati da batterie (senza cavo di alimentazione).

1. Sicurezza sul lavoro

- A. La postazione dovrebbe essere mantenuta pulita e ben illuminata. Il disordine sul posto di lavoro o in un luogo di lavoro non illuminato può causare incidenti.
- B. Non utilizzare questo utensile elettrico in atmosfere potenzialmente esplosive come liquidi infiammabili, gas o polveri. Quando si utilizza l'utensile elettrico, si generano scintille che possono causare l'accensione.
- C. Quando si utilizza l'apparecchio, bisogna prestare attenzione a mantenere i bambini e gli altri passanti a distanza di sicurezza. La distrazione può farti perdere il controllo dello strumento.

2. Sicurezza elettrica

- A. La spina dell'utensile elettrico deve entrare nella presa. Non modificare la spina in alcun modo. Non usare spine adattabili per utensili elettrici con collegamento di messa a terra protettiva. Spine non modificate e prese corrispondenti riducono il rischio di scosse elettriche.
- B. Evitare il contatto con superfici messe a terra come; tubi, termosifoni, fornelli e frigoriferi. Il rischio di scosse elettriche è maggiore quando il corpo dell'utente è collegato a terra.
- C. L'apparecchio deve essere protetto da pioggia e umidità. L'acqua che entra nell'utensile elettrico aumenta il rischio di scosse elettriche.
- D. Non usare mai il cavo per altre attività. Non portare mai l'utensile elettrico vicino al cavo né usare il cavo per appendere l'utensile elettrico. Inoltre, non staccare la spina dalla presa tirando il cavo. Il cavo dovrebbe essere protetto dalle alte temperature e tenerlo lontano da olio, bordi affilati o parti in movimento dell'apparecchio. I fili danneggiati o impigliati aumentano il rischio di scosse elettriche.

- E. Quando si utilizza l'utensile elettrico all'aperto, utilizza una prolunga adatta anche all'uso esterno. L'uso della prolunga giusta (adatta all'uso esterno) riduce il rischio di scosse elettriche.
- F. Se l'utensile elettrico non può essere utilizzato in ambienti umidi, utilizza un interruttore di corrente residua. L'uso di un interruttore elettrico a corrente residua riduce il rischio di scosse elettriche.

3. Sicurezza personale

- A. Quando lavori con un utensile elettrico, fai attenzione ed esegui ogni azione con attenzione e cautela. Non usare l'utensile elettrico quando sei stanco o sotto l'influenza di droghe, alcol o medicinali. Un momento di disattenzione durante l'uso di un utensile elettrico può causare gravi lesioni personali.
- B. Indossa sempre equipaggiamento di protezione individuale e occhiali di sicurezza. Indossare dispositivi di protezione individuale – maschera antipolvere, scarpe slip-infil, casco di sicurezza o protezione acustica (a seconda del tipo e dell'uso dell'utensile elettrico) – riduce il rischio di lesioni personali.
- C. Evita di avviare lo strumento involontariamente. Prima di inserire la spina nella presa e/o collegarla al pacco batterie, così come prima di prendere o spostare l'utensile elettrico, assicurati che l'utensile sia spento. Tenere il dito sull'interruttore quando si porta l'utensile elettrico o si collega l'alimentatore elettrico può causare un incidente.
- D. Prima di accendere l'utensile elettrico, rimuovi gli attrezzi di regolazione o le chiavi inglesi. Uno strumento o una chiave inglese nelle parti mobili dell'apparecchio può causare lesioni personali.
- E. Le posizioni corporee innaturali dovrebbero essere evitate durante il lavoro. Dovresti mantenere una posizione di lavoro stabile e mantenere l'equilibrio. In questo modo, sarà possibile controllare meglio l'utensile elettrico in situazioni impreviste.
- F. Bisogna indossare abiti adeguati. Non indossare abiti larghi o gioielli. Tieni capelli, vestiti e guanti lontani dalle parti in movimento dello strumento. Abiti larghi, gioielli o capelli lunghi possono essere tirati dentro da parti in movimento e causare un incidente.
- G. Se è possibile installare dispositivi di estrazione e raccolta della polvere, assicurati che siano collegati e utilizzati correttamente. L'uso di un dispositivo di estrazione può ridurre i rischi di inalazione di polvere.

4. Corretto funzionamento e funzionamento degli utensili elettrici

- A. Non sovraccaricare l'apparecchio. Usa utensili elettrici progettati appositamente a questo scopo. Con il giusto utensile elettrico, puoi lavorare meglio e in modo più sicuro in un dato intervallo di prestazioni.
- B. Non usare un utensile elettrico il cui interruttore on/off è danneggiato. Un utensile elettrico che non può essere acceso o spento è pericoloso e deve essere riparato.
- C. Prima di regolare l'apparecchio, cambiare accessori o fermare l'attrezzo, togli la spina dalla presa e/o la batteria. Questa precauzione impedisce che l'utensile elettrico venga acceso involontariamente.
- D. Quando non sono in uso, tieni gli attrezzi elettrici fuori dalla portata dei bambini. Non condividere lo strumento con chiunque non lo conosca o non abbia letto queste disposizioni. Gli utensili elettrici utilizzati da persone inesperte sono pericolosi.
- E. È necessaria una corretta manutenzione dell'utensile elettrico. Controlla che le parti mobili dell'utensile elettrico funzionino perfettamente e non siano ostruite, che le parti non siano rotte o danneggiate in modo da compromettere il corretto funzionamento dell'utensile elettrico. Fai riparare le parti danneggiate prima di usare l'elettrodomestico. Molti incidenti sono causati da una manutenzione impropria degli utensili elettrici.

- F. Utilizzare utensili elettrici, accessori, attrezzi ausiliari, ecc., in conformità con queste istruzioni e l'uso previsto. Le condizioni e il tipo di lavoro svolto devono essere tenuti in considerazione. L'uso improprio dell'utensile elettrico può causare situazioni pericolose.

5. Servizio

- A. Fai riparare l'utensile elettrico solo da un professionista qualificato e utilizzando pezzi di ricambio originali. Questo garantisce il mantenimento della sicurezza del dispositivo. Raccomandiamo riparazioni presso un servizio WABROTECH autorizzato.

RISCHIO DI INCENDIO ED ESPLOSIONE



I fumi infiammabili di solventi e vernici presenti nell'area di lavoro possono incendiarsi o esplodere. Per prevenire un incendio o un'esplosione, dovresti:

1. Evita di lavorare nelle prossimità di materiali infiammabili e infiammabili vicino a fiamme aperte o fonti di accensione, come sigarette, motori esterni e altri apparecchi elettrici.
2. L'elettricità statica comporta un rischio di incendio o esplosione in presenza di vapori di vernice o solventi.
3. Controlla che tutti i contenitori e i sistemi di raccolta siano collegati a terra per prevenire scarichi statici. Non usare rivestimenti per secchio a meno che non abbiano proprietà antistatiche o conduttive.
4. Mantieni un flusso adeguato di aria fresca in questo spazio.
5. Non fumare sigarette nell'area di lavoro.
6. Non utilizzare interruttori, motori o prodotti simili che generano scintille nell'area di lavoro.
7. Mantieni pulita l'area. Non deve contenere materiali infiammabili.
8. Consulta tutte le Schede Dati di Sicurezza (MSDS) e gli adesivi sui contenitori.
9. Dovrebbero esserci attrezzature antincendio funzionanti sul posto.
10. Il dispositivo genera scintille. Se viene utilizzato un liquido infiammabile all'interno o vicino all'apparecchio, mantenete l'apparecchio ad almeno 6 m di distanza dai vapori esplosivi.

SICUREZZA ELETTRICA



1. Le spine per utensili elettrici devono entrare nelle prese. È vietato modificare il plugin in qualsiasi modo. Non collegare nessun adattatore (adattador) agli utensili elettrici collegati a massa. L'uso di spine non modificate e prese corrispondenti riduce la probabilità di scosse elettriche.
2. Gli attrezzi con messa a terra devono essere collegati correttamente a una presa installata e messa a terra in conformità con tutti gli standard e le ordinanze. È vietato rimuovere la spina di messa a terra o modificarla in qualsiasi modo. Non usare adattatori per spine. In caso di dubbi sulla presenza adeguata della presa a terra, consulta un elettricista qualificato. Se gli utensili elettrici iniziano a malfunzionare o a guastarsi, questa messa a terra offre un modo a bassa resistenza per dissipare l'elettricità dall'utente.
3. Evita il contatto con superfici collegate a terra come tubature, riscaldatori, frigoriferi. Quando il corpo dell'utente è collegato a terra, aumenta la probabilità di scosse elettriche.

4. Non esporre gli utensili elettrici alla pioggia o all'umidità. L'acqua che entra nell'utensile elettrico aumenta il rischio di scosse elettriche.
5. Usa i cavi come previsto. Non usare mai cablaggi per trasportare, trascinare o staccare l'attrezzo elettrico dalla presa. Tieni il cavo lontano da calore, olio, spigoli affilati e parti in movimento. Sostituisci immediatamente i fili danneggiati. I cavi danneggiati o impigliati aumentano il rischio di scosse elettriche.
6. Quando si utilizza l'utensile elettrico all'aperto, si usano prolunghie adatte all'uso esterno. L'uso di cavi adattati all'esterno riduce la probabilità di scosse elettriche

PERICOLO DELLE PARTI MOBILI



Le parti mobili possono comprimere, tagliare o tagliare le dita e altre parti del corpo.



1. Stai lontano dai pezzi in movimento.
2. Non utilizzare l'attrezzatura senza coperture protettive e coperture in posizione.
3. Le apparecchiature attive possono avviarsi senza preavviso. Scollega tutte le fonti di alimentazione prima di ispezionare, spostare o fare manutenzione all'apparecchiatura.



PERICOLO DI USO IMPROPRIO DEL DISPOSITIVO

L'uso improprio dell'attrezzatura può portare alla morte o all'invalidità.

1. Indossa sempre un paraucrimen adatto e un respiratore o una mascherina quando lavori.
2. Non accendere l'apparecchio né lavorare vicino ai bambini. Sostegno ai bambini lontano dal dispositivo.
3. Non superare il range normale né posizionare il dispositivo su terreno instabile. Una buona postura e un buon equilibrio devono essere mantenuti.
4. Dovresti mantenere la concentrazione e concentrarti sull'attività in corso.
5. Non lasciare l'apparecchio collegato all'alimentatore senza sorveglianza. Quando il dispositivo non è in uso, spegni e esegui la procedura di decompressione.
6. Non utilizzare l'attrezzatura quando sei stanco o sotto l'influenza di droghe o alcol.
7. Non piegare o piegare troppo il tubo.
8. Non esporre il cavo a temperature o tensioni superiori ai valori raccomandati da WABROTECH.
9. Non usare il cavo per spostare o sollevare attrezzature.

DISPOSITIVI DI PROTEZIONE INDIVIDUALE



Indossa l'attrezzatura protettiva adeguata durante l'area di lavoro per aiutare a prevenire gravi lesioni, inclusi lesioni oculari, perdita dell'udito, gli effetti dell'inalazione di fumi tossici e ustioni.



Queste misure includono, ma non si limitano a: occhiali di sicurezza, apparecchi respiratori, indumenti protettivi e guanti in conformità con le raccomandazioni del produttore di liquidi e solventi.



ferite.

Quando usi utensili elettrici, dovresti essere vigile, stare attento a ciò che fai e usare il buon senso. Non usare utensili elettrici quando sei stanco o sotto l'effetto di droghe, alcol o droghe. Un momento di distrazione durante l'uso di un utensile elettrico può causare gravi

1. Usa l'attrezzatura di sicurezza. Indossa sempre gli occhiali di sicurezza. Misure protettive come maschera antipolvere, scarpe antiscivolo, casco o paraorecchie, se usate correttamente, limiteranno le lesioni personali.
2. Evita inclusioni accidentali. Prima di collegare l'apparecchio, assicurati che l'interruttore sia in posizione OFF. Mettere il dito sull'interruttore quando si trasportano o si collegano apparecchi con l'interruttore in posizione ON aumenta il rischio di incidenti.
3. Rimuovi la chiave di regolazione prima di accendere l'apparecchio. Una chiave inglese attaccata a una parte rotante dello strumento può causare lesioni personali.
4. Non inclinarti troppo verso l'esterno. Prendi una posizione stabile durante l'operazione. Questo garantisce un migliore controllo dell'utensile elettrico in caso di imprevisti.
5. Indossa abiti appropriati. Non indossare capi di abbigliamento o gioielli larghi. Tieni lontani da parti in movimento capelli, vestiti e guanti. Vestiti larghi, gioielli o capelli lunghi possono impigliarsi e impigliarsi nelle parti in movimento.
6. Se sono stati forniti strumenti per l'estrazione e la raccolta della polvere, assicurati che siano collegati e utilizzati correttamente. L'uso di questi dispositivi può ridurre il rischio associato alla polvere.

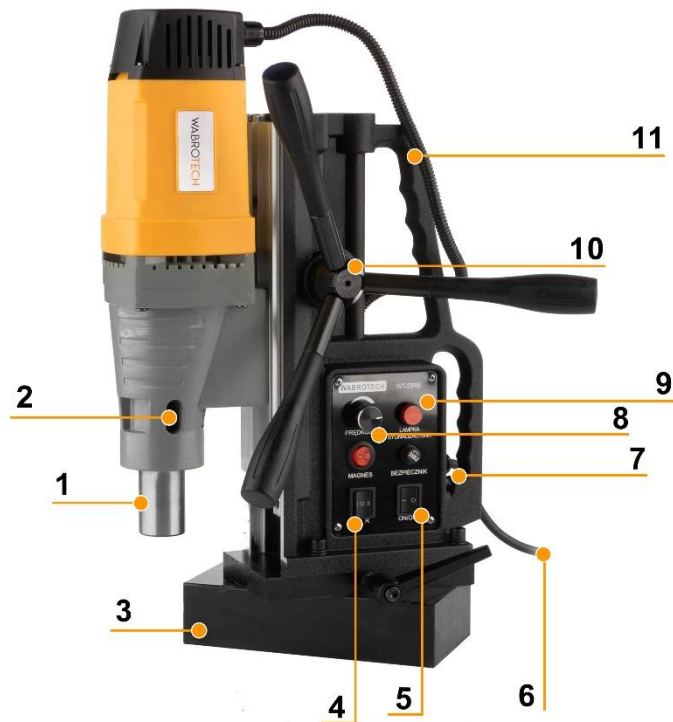
COLLEGAMENTO ALL'ALIMENTAZIONE



La tensione di rete deve corrispondere a quella indicata sulla piastra nominale del dispositivo. In nessun caso lo strumento deve essere utilizzato se il cavo di alimentazione è danneggiato. Un cavo danneggiato deve essere sostituito immediatamente da un Centro Assistenza Clienti autorizzato. Non tentare di riparare il cavo danneggiato da solo. L'uso di cavi di alimentazione danneggiati può causare scosse elettriche.

IMPORTANTE: Usa solo una prolunga a tre fili che abbia una spina di messa a terra con due perni e un foro, e una presa in cui potrai inserire la spina dell'apparecchio con due fori e uno stelo. Assicurati che la prolunga sia in buone condizioni. Quando si utilizza una prolunga, dovresti assicurarti che abbia parametri sufficienti per trasportare la corrente che il dispositivo può assorbire. Un cavo con parametri troppo scarsi causerà una diminuzione della tensione di rete, che provocherà perdite di corrente e surriscaldamento. Si consiglia di utilizzare un cavo con una sezione trasversale di $3 \times 1,5$ mm. Se la prolunga deve essere usata all'aperto, deve essere contrassegnata W-A dopo aver specificato il tipo di cavo. Ad esempio, la designazione SJTW-A indicherebbe che il cavo è adatto all'uso esterno.

2. COSTRUZIONE DEL WT23RE



1	Portautensili	Mandrino conico MT2 (mandrino Weldon da 19mm, mandrino filettato B18 M3-M16, mandrino MT2 B18, mandrino MT2/3-16mm montato sulla ganascola)
2	Punch	Una presa in cui manici o trapani dovrebbero essere staccati.
3	Piede magnetico	Piena efficienza della lega magnetica con uno spessore d'acciaio di 10 mm. Efficienza minima con uno spessore dell'acciaio di 4 mm. Il trapano magnetico WT23RE ha un piede magnetico mobile.
4	Interruttore della modalità di perforazione	Posizione 0 - Spento del trapano magnetico Posizione del trapano - Perforazione Posizione REV - Filettatura
5	Interruttore ON/OFF	Interruttore elettrico in lega magnetica. ATTENZIONE! Durante il lavoro, il piede magnetico deve essere acceso prima e la macchina deve essere adatta.
6	Fusibile	Fusibile magnetico a piede.
7	Presa di alimentazione	Ti dice quando il piede magnetico è acceso.
8	Spia indicatrice	On informa dell'alimentazione del trapano
9	Controllore di velocità	Usa il potenziometro per regolare la velocità della macchina.
10	Leva di alimentazione	Viene utilizzato per regolare la posizione del perno.
11	Manico	Supporta il trasporto del trapano magnetico.

3. SPECIFICHE

Modello/potenza del motore	WT 23RE/1880 W
Tensione/frequenza/fusibile	230V/50Hz/C20 (Controlla la targhetta della macchina)
Grado di protezione	II
Livello di rumore	60-90 dB
Intervallo di diametri di perforazione	Punte per trapano per tubi MAX - 50 mm Punte da trapano solide MAX - 23 mm
Velocità massima di rotazione	580 giri/min
Forza magnetica	13000N
Corsa di lavoro massima	200 mm
Portautensili	Mandrino per la ganaschia MT2/3-16mm (mandrino Weldon da 19mm, mandrino filettato B18 M3-M16, mandrino MT2/3-16mm per mandrina, mandrino per ganasce MT2/3-16mm può essere montato)
Avvio morbido	Sì
Rotazione inversa (funzione di threading)	Sì M3-M16
Controllo della velocità	Sì
Temperatura ambiente richiesta	0- 40°C
Dimensioni del piede magnetico	205 x 105 x 50 mm
Dimensioni della perforazione	300 x 215 x 410 mm
Peso netto/lordo	19,5 / 30,5 kg

4. SCOPO DEL TRAPANO MAGNETICO

La macchina per la perforazione magnetica è adatta per la perforazione in materiali ferromagnetici (ad esempio acciaio), durante l'installazione, la costruzione navale, la produzione di ponti, la produzione di gru, l'assemblaggio, il fabbro, l'assemblaggio di strutture in acciaio, ecc.

Il dispositivo è adatto sia per la perforazione completa che per la perforazione parziale. Il trapano ha una funzione di tappatio quando si attiva la retromarcia. Il dispositivo può essere utilizzato in posizione orizzontale, verticale e sopra la testa. Bisogna prestare attenzione a garantire che siano disponibili sufficienti superfici e spessori (**minimo 10 mm**) di materiale ferromagnetico per trasmettere la forza magnetica di mantenimento. La superficie di contatto del pezzo con l'elettromagnete dovrebbe essere piatta, ma non deve essere non trattata. Ruggine e squama, così come vernice e strati di stucco, devono essere rimossi dalla superficie del pezzo. Quando si pratica materiali sotto i 10 mm, è necessario posizionare una piastra d'acciaio di spessore appropriato sotto il pezzo in modo che l'elettromagnete possa aderire al substrato con maggiore forza. Non posizionare mai trapani magnetici su materiali isolanti (ad esempio legno, cemento, ecc.).

Si prega di notare che la forza magnetica scompare quando la corrente di rete viene interrotta (quando la corrente si interrompe, quando la spina viene staccata dalla presa), consigliamo di tenere sempre il trapano con la cintura di sicurezza.

I trapani magnetici non possono essere utilizzati sui pezzi durante la saldatura ad arco elettrico. La corrente di saldatura potrebbe causare danni alla macchina.

5. RESTRIZIONI SULL'USO

Utensili elettrici, accessori, utensili, ecc., devono essere utilizzati in conformità con queste normative e come previsto per questo tipo speciale di apparecchio. Le condizioni di lavoro e l'attività da svolgere devono essere considerate. L'uso di utensili elettrici per lavori diversi da quelli previsti può portare a situazioni pericolose.

La macchina può essere utilizzata solo con le punte e i mandrini descritti in questo manuale.

Modifiche arbitrarie nella costruzione meccanica ed elettrica, qualsiasi modifica o attività di manutenzione non descritte nel Manuale Operativo saranno considerate illecite e comporteranno la perdita immediata dei Diritti di Garanzia.

Non sovraccaricare l'apparecchio. Usa un utensile elettrico fornito appositamente a questo scopo. Lo strumento giusto rende più facile e sicuro lavorare con la gamma specificata di applicazioni.

Non usare un utensile elettrico il cui interruttore on/off è danneggiato. Un utensile elettrico che non può essere acceso o spento è pericoloso e deve essere riparato. Ti consigliamo di contattare il servizio WABROTECH.

6. ATLETI DI TRIVELLAZIONE

Ricorda di non superare la punta media raccomandata secondo la piastra nominale del dispositivo. Ricorda che lavorare con un diametro del trapano corrispondente al diametro massimo sostenuto dal dispositivo significa lavorare al carico massimo possibile – è accettabile, ma se è necessario lavorare continuamente o realizzare un gran numero di fori, dovresti scegliere un trapano con un intervallo di funzionamento più ampio.

7. TIPI DI PUNTE DA TRAPANO

- **WT23RE** (punte cilindriche metalliche HSS NWKc, punte da trapano cilindriche HSSCo, sega a talpa in carburo di tungsteno).



- **Mandrino WT23RE + WELDON** (punte da trapano in metallo HSS NWKc, punte da trapano cilindriche HSSCo, sega a talpa in carburo di tungsteno, punte per trapano a rotola, punta da trapano TCT per rotaie RAIL, tronchi trepanatori HSS, tronchi trepanatori TCT).



- **WT23RE + mandrino WELDON + mandrino da filettatura** (punte cilindriche in metallo HSS NWKc, punte cilindriche HSSCo, sega a corna in carburo di tungsteno, punta a torsione per rotaie, punta tubolare TCT per rotaie RAIL, tronchi trepanatori HSS, tagliatori trepanatori TCT, rubetti)



8. ALIMENTAZIONE

Prima di collegare la macchina, assicurati che la tensione di alimentazione corrisponda alla potenza nominale sulla placca. L'installazione dell'alimentatore della macchina dovrebbe essere fatta con un filo di rame con una sezione trasversale minima di almeno 2,5 mm e deve essere instradata attraverso un fusibile C20. Il sistema di alimentazione deve essere dotato di un sistema di protezione ben funzionante e deve rispettare i requisiti delle normative di sicurezza sull'uso.

Disposizionete il cavo elettrico in modo che non venga esposto a danni durante il funzionamento. Se è necessario utilizzare una prolunga, la sua lunghezza deve essere scelta in modo che l'eccesso non interferisca con il lavoro. Il cavo di prolunga dovrebbe essere dotato anche di un cavo protettivo. Non spegnere la spina tirando il cavo di alimentazione.

In caso di interruzione di corrente e la macchina si ferma, è obbligatorio rilasciare il pulsante dell'interruttore e rimuovere la spina dalla presa. Una volta determinate le cause dell'interruzione di corrente e risolto il problema, puoi continuare a lavorare. Non lasciare la macchina collegata senza sorveglianza. In caso di interruzione o dopo un'interruzione, è fondamentale staccare la macchina dalla presa di corrente.

9. ACCENDERE LA MACCHINA

L'interruttore trapano si trova sul corpo della macchina.

Posiziona la punta del trapano sopra il punto di perforazione selezionato. Prima di iniziare a forare, verifica che il trapano aderisca abbastanza saldamente alla superficie. L'avanzamento del trapano viene eseguito manualmente utilizzando la leva di avanzamento. Per evitare sovraccaricare il trapano magnetico o un'usura prematura dello strumento, applica la pressione adeguata sul trapano. Dopo il completamento

del processo di perforazione, rimuovere i trucioli e/o il carotto del trapano in caso di rottura. Il raffreddamento e la lubrificazione durante la perforazione devono essere adattati allo strumento utilizzato.

Si noti che la forza magnetica scompare quando la corrente di rete viene interrotta (quando la corrente si interrompe, quando la spina viene staccata dalla presa). Se stai forando in una posizione diversa dalla verticale, usa la cintura di sicurezza inclusa per fissare il dispositivo.

In caso di interruzione di corrente, è imperativo che l'operatore della macchina spenga il dispositivo e rimuova la spina dalla presa. Una volta individuata e risolta la causa dell'interruzione di corrente, puoi ricollegare la spina alla presa e riprendere il funzionamento.

Non lasciare la macchina collegata alla rete elettrica senza sorveglianza. In caso di interruzione o dopo un'interruzione, è fondamentale scollegare la macchina dalla rete rimuovendo la spina dalla presa di corrente.

10. SPAZZOLE AL CARBONIO

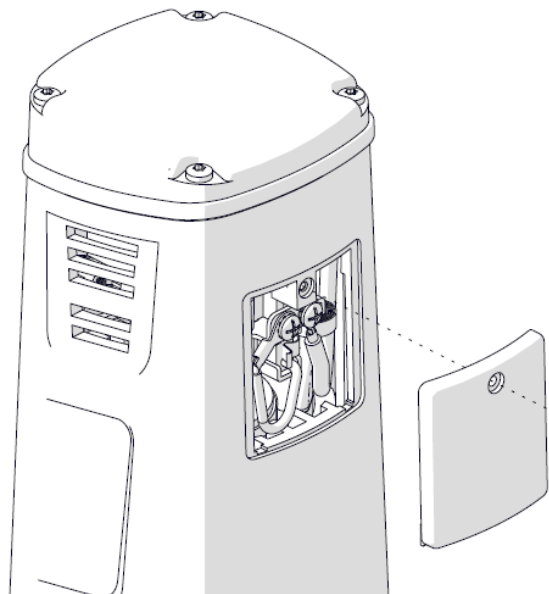
Le spazzole in carbonio sono una parte di usura normale e devono essere sostituite quando raggiungono il limite di usura. La macchina è dotata di spazzole a carbone. Se la macchina si ferma improvvisamente, controlla le spazzole.

Nota: Sostituire sempre i pennelli a coppie

Per sostituire le spazzole:

- Basta rimuovere i tappi dei pennello e rimuovere i vecchi pennelli.
- Quando sostituisci le spazzole con nuove (sostituiscile sempre in coppia), assicurati che siano ben posizionate.

ATTENZIONE: Tutte le riparazioni devono essere indirizzate a un centro assistenza autorizzato. Riparazioni eseguite in modo errato possono causare infortuni o la morte. Ti consigliamo di contattare il servizio WABROTECH.



11. AUTORIZZAZIONE SULLE GUIDE

Ogni 50 ore di funzionamento, assicurati che le guide siano adeguatamente regolate. Per farlo, muovi il motore su e giù per assicurarti che funzioni senza intoppi.

Per regolare le guide, devi rivestirle con uno strato sottile di grasso. Poi, usa una chiave esagonale per allentare delicatamente le viti. Posiziona il motore in modo che il cursore sia al centro delle guide. Poi stringi leggermente le viti in modo che tocchino la guida. Muovi il motore su e giù e regola le viti in modo che il movimento sia fluido.



12. ATTIVITÀ DI CONTROLLO

Effettua il controllo con la spina scollegata dalla presa.

Prima di iniziare il trapano magnetico, controlla lo stato dello strumento di lavoro. Qualsiasi difetto o crepa del trapano esclude lo strumento. Devono essere installate nuove e prive di difetti.

Il dispositivo deve essere curato con attenzione. È necessario verificare che le parti mobili dell'apparecchio funzionino perfettamente e non siano ostruite, che le parti non siano crepate o danneggiate, il che potrebbe influire sul corretto funzionamento dell'apparecchio. Fai riparare le parti danneggiate prima di usare l'elettrodomestico. Molti incidenti sono causati da una manutenzione impropria degli utensili elettrici.

Controlla lo stato delle spazzole elettrografite. Se noti che sono più corte di 4 mm, sostituiscili con di nuovi. Si noti che i residui di taglio dei materiali ceramici sono corrosivi. Non lasciare la macchina non pulita alla fine del lavoro. Questo può causare corrosione dei singoli componenti del trapano.

13. COMPATIBILITÀ

Il trapano magnetico è compatibile con i seguenti strumenti:

- Weldon a mandrino di trapano 19mm
- Portafiletture B18 M3-M16
- Mandrino di trapano b16/3-16mm
- Serbatoio del liquido refrigerante



Istruzioni per l'assemblaggio del portautensile:

3. Fai scivolare l'accessorio nello slot degli attrezzi. Premi finché il manico non è ben posizionato nella fessura dello strumento. Tirando delicatamente verso il basso, assicurati che non ci sia un gioco di corda.



4. Elimina lo strumento con il cuneo incluso nel kit. Inserisci il cuneo nel foro sopra la fessura dello strumento. Tieni lo strumento con una mano e colpisci delicatamente il cuneo con l'altra con un martello. Lo strumento salta fuori dalla fessura e scivola verso il basso. Puoi passare con successo all'installazione di un altro strumento.



Istruzioni per l'installazione del serbatoio del refrigerante.










2. Sul lato destro o sinistro del corpo del trapano, a seconda del modello, c'è un posto dove montare un serbatoio di raffreddamento. Il serbatoio è dotato di un tubo, un dado, un manico in lamiera e una vite a taglio trasversale. Avvita il manico di latta direttamente sul serbatoio con l'aiuto di una vite. Collega il tubo al serbatoio usando il connettore. Poi posiziona il portalatte con il serbatoio sulle due viti laterali del corpo del trapano e usa un cacciavite per stringere le viti.



13. RISOLUZIONE PROBLEMI

Problema	Causa	Soluzione
Il trapano non funziona	Il cavo di alimentazione è mal collegato o danneggiato	Spingi la spina più a fondo nella presa
		Controlla il cavo di alimentazione
	Non c'è tensione di rete nella presa	Controlla la tensione alla presa o se il fusibile è scattato.
	Spazzole motori usurate	Sostituisci le spazzole con altre nuove
	Interruttore rotto	Sostituisci l'interruttore con uno nuovo
	Interruttore automatico a corrente residua PRCD difettoso	Sostituire l'interruttore elettrico a corrente residua
	Vibrazione	Controlla lo stato della punta o del perno.

DEFINICIONES DE LOS PICTOGRAMAS UTILIZADOS EN EL MANUAL:

 LEE EL MANUAL	 USA MASCARILLAS ANTIPOLVO	 USA PROTECCIÓN OCULAR
 ¡ADVERTENCIA! USA LA PUESTA A TIERRA	 ¡Sigue las instrucciones marcadas con este símbolo en el texto!	 Alarma de descarga eléctrica
 Aviso sobre piezas móviles	 Guarda por separado y los esmaltes según lo indique conforme a las normas medioambientales	 Alarma de riesgo de explosión

1. CONSEJOS DE SEGURIDAD

Instrucciones generales de seguridad para herramientas eléctricas

Lee todos los consejos y recetas. No seguir las instrucciones a continuación puede provocar descargas eléctricas, incendio y/o lesiones personales graves. Mantén cuidadosamente todas las normativas e instrucciones de seguridad para mayor referencia. Como se usa en el texto siguiente, el término "herramienta eléctrica" se refiere a herramientas eléctricas que funcionan con corriente eléctrica (con cable de alimentación) y herramientas eléctricas que funcionan con pilas (sin cable de alimentación).

1. Seguridad laboral

- La estación debe mantenerse limpia y bien iluminada. El desorden en el lugar de trabajo o en un lugar sin luz puede provocar accidentes.
- No utilice esta herramienta eléctrica en atmósferas potencialmente explosivas como líquidos inflamables, gases o polvo. Al usar la herramienta eléctrica, se generan chispas que pueden provocar la inflamación.
- Al usar el aparato, se debe tener cuidado de mantener a los niños y a otros espectadores a una distancia segura. La distracción puede hacer que pierdas el control de la herramienta.

2. Seguridad eléctrica

- El enchufe de la herramienta eléctrica debe encajar en el enchufe. No modifiques el enchufe de ninguna manera. No uses enchufes adecuados para herramientas eléctricas con conexión a tierra protectora. Los enchufes sin modificar y los enchufes a juego reducen el riesgo de descargas eléctricas.
- Evitar el contacto con superficies conectadas a tierra como; tuberías, radiadores, cocinas y frigoríficos. El riesgo de descarga eléctrica es mayor cuando el cuerpo del usuario está conectado a tierra.
- El aparato debe estar protegido de la lluvia y la humedad. El agua que entra en la herramienta eléctrica aumenta el riesgo de descarga eléctrica.
- Nunca uses el cable para ninguna otra actividad. Nunca llesves la herramienta eléctrica cerca del cable ni uses el cable para colgarla. Además, no saques el enchufe del enchufe tirando del cable. El cable debe estar protegido de altas temperaturas y mantenerlo alejado del aceite,

los bordes afilados o las partes móviles del aparato. Los cables dañados o enredados aumentan el riesgo de descarga eléctrica.

- E. Cuando uses la herramienta eléctrica al aire libre, utiliza un alargador que también sea adecuado para uso exterior. Usar el alargador adecuado (adecuado para uso exterior) reduce el riesgo de descargas eléctricas.
- F. Si la herramienta eléctrica no puede usarse en ambientes húmedos, utiliza un interruptor de corriente residual. El uso de un interruptor eléctrico de corriente residual reduce el riesgo de descarga eléctrica.

3. Seguridad personal

- A. Cuando trabajes con una herramienta eléctrica, ten cuidado y realiza cada acción con cuidado y precaución. No uses la herramienta eléctrica cuando estés cansado o bajo los efectos de drogas, alcohol o medicamentos. Un momento de desatención mientras se maneja una herramienta eléctrica puede provocar lesiones personales graves.
- B. Lleva siempre equipo de protección personal y gafas de seguridad. Llevar equipo de protección personal —mascarilla antipolvo, zapatos sin rodar, casco de seguridad o protección auditiva (según el tipo y uso de la herramienta eléctrica)— reduce el riesgo de lesiones personales.
- C. Evita arrancar la herramienta sin querer. Antes de insertar el enchufe en la toma y/o conectarlo al paquete de baterías, así como antes de coger o mover la herramienta eléctrica, asegúrate de que la herramienta esté apagada. Mantener el dedo en el interruptor al llevar la herramienta eléctrica o conectar la fuente puede causar un accidente.
- D. Antes de encender la herramienta eléctrica, quita las herramientas o llaves inglesas de ajuste. Una herramienta o llave inglesa en las partes móviles del aparato puede causar lesiones personales.
- E. Se deben evitar posiciones corporales antinaturales mientras trabajas. Debes mantener una posición de trabajo estable y mantener el equilibrio. Esto te permitirá controlar mejor la herramienta eléctrica en situaciones inesperadas.
- F. Tienes que llevar ropa adecuada. No lleves ropa holgada ni joyas. Mantén el pelo, la ropa y los guantes alejados de las partes móviles del instrumento. La ropa suelta, las joyas o el pelo largo pueden ser arrastrados por partes móviles y provocar un accidente.
- G. Si se pueden instalar dispositivos de extracción y recogida de polvo, asegúrate de que estén conectados y usados correctamente. El uso de un dispositivo de extracción puede reducir los riesgos de inhalación de polvo.

4. Funcionamiento adecuado y funcionamiento de herramientas eléctricas

- A. No sobrecargues el aparato. Utiliza herramientas eléctricas diseñadas específicamente para este propósito. Con la herramienta eléctrica adecuada, puedes trabajar mejor y de forma más segura en un rango de rendimiento determinado.
- B. No uses una herramienta eléctrica cuyo interruptor de encendido/apagado esté dañado. Una herramienta eléctrica que no se puede encender o apagar es peligrosa y debe repararse.
- C. Antes de ajustar el aparato, cambiar accesorios o detener la herramienta, quita el enchufe del enchufe y/o de la batería. Esta precaución evita que la herramienta eléctrica se encienda accidentalmente.
- D. Cuando no se usen, mantén las herramientas eléctricas fuera del alcance de los niños. No compartas la herramienta con nadie que no la conozca o no haya leído estas disposiciones. Las herramientas eléctricas usadas por personas sin experiencia son peligrosas.

- E. Se requiere un mantenimiento adecuado de la herramienta eléctrica. Comprueba que las partes móviles de la herramienta eléctrica estén en perfecto estado de funcionamiento y no estén obstruidas, que no estén rotas o dañadas de tal forma que perjudiquen el correcto funcionamiento de la herramienta. Haz que reparen las piezas dañadas antes de usar el electrodoméstico. Muchos accidentes se producen por un mal mantenimiento de las herramientas eléctricas.
- F. Utiliza herramientas eléctricas, accesorios, herramientas auxiliares, etc., de acuerdo con estas instrucciones y el uso previsto. Deben tenerse en cuenta las condiciones y el tipo de trabajo realizado. El uso inadecuado de la herramienta eléctrica puede dar lugar a una situación peligrosa.

5. Servicio

- A. Haz que la herramienta eléctrica sea reparada únicamente por un profesional cualificado y usando repuestos originales. Esto garantiza que se mantenga la seguridad del dispositivo. Recomendamos las reparaciones en un servicio autorizado de WABROTECH.

RIESGO DE INCENDIO Y EXPLOSIÓN



Los gases inflamables de disolventes y pinturas en la zona de trabajo pueden incendiarse o explotar. Para evitar un incendio o una explosión, debes:

1. Evita trabajar cerca de materiales inflamables y inflamables cerca de llamas abiertas o fuentes de ignición, como cigarrillos, motores exteriores y otros aparatos eléctricos.
2. La electricidad estática supone un riesgo de incendio o explosión en presencia de vapores de pintura o disolventes.
3. Comprueba que todos los contenedores y sistemas de recogida estén conectados a tierra para evitar descargas estáticas. No uses forros para cubos a menos que tengan propiedades anti-estáticas o conductoras.
4. Mantén un flujo adecuado de aire fresco en este espacio.
5. No fumes cigarrillos en el área de trabajo.
6. No utilices interruptores, motores ni productos similares que generen chispas en el área de trabajo.
7. Mantén la zona limpia. No debe contener materiales inflamables.
8. Consulta todas las Hojas de Datos de Seguridad (MSDS) y pegatinas de contenedores.
9. Debería haber equipo de extinción de incendios funcionando en el lugar.
10. El dispositivo genera chispas. Si se utiliza un líquido inflamable dentro o cerca del aparato, manténlo al menos a 6 m de los vapores explosivos.

SEGURIDAD ELÉCTRICA



1. Los enchufes de herramientas eléctricas deben encajar en los enchufes. Tienes prohibido modificar el plugin de ninguna manera. No conectes ningún adaptador a herramientas eléctricas con conexión a tierra. El uso de enchufes sin modificar y enchufes a juego reduce la probabilidad de descargas eléctricas.
2. Las herramientas con conexión a tierra deben estar correctamente conectadas a un enchufe

instalado y conectado a tierra conforme a todas las normas y ordenanzas. Está prohibido quitar el enchufe de toma de tierra o modificarlo de cualquier manera. No uses adaptadores de enchufe. Si no tienes claro si el enchufe está correctamente conectado a tierra, consulta con un electricista cualificado. Si las herramientas eléctricas empiezan a fallar o fallar, esta puesta a tierra proporciona una forma de baja resistencia para disipar electricidad del usuario.

3. Evita el contacto con superficies conectadas a tierra como tuberías, calefactores o frigoríficos. Cuando el cuerpo del usuario está conectado a tierra, aumenta la probabilidad de recibir una descarga eléctrica.
4. No espongas las herramientas eléctricas a la lluvia ni a condiciones húmedas. El agua que entra en la herramienta eléctrica aumenta el riesgo de descarga eléctrica.
5. Usa los cables como se espera. Nunca uses arneses eléctricos para llevar, arrastrar o desenchufar la herramienta eléctrica. Mantén el cable alejado del calor, el aceite, los bordes afilados y las partes móviles. Cambia los cables dañados inmediatamente. Los cables dañados o enredados aumentan el riesgo de descargas eléctricas.
6. Cuando uses la herramienta eléctrica al aire libre, utiliza alargadores adecuados para uso exterior. El uso de cables adaptados externamente reduce la probabilidad de descargas eléctricas

PELIGRO DE PIEZAS MÓVILES



Las partes móviles pueden comprimirse, cortar o cortar dedos y otras partes del cuerpo.



1. Aléjate de las piezas que se mueven.
2. No uses el equipo sin cubiertas protectoras y cubiertas en su lugar.
3. El equipo activo puede arrancarse sin previo aviso. Desconecta todas las fuentes de alimentación antes de inspeccionar, mover o mantener el equipo.



PELIGRO DE USO INDEBIDO DEL DISPOSITIVO

El uso inadecuado del equipo puede provocar la muerte o discapacidad.

1. Siempre lleva un paracrimen adecuado y un respirador o mascarilla al trabajar.
2. No enciendas el aparato ni trabajes cerca de niños. Apoyo a los niños lejos del dispositivo.
3. No excedas el rango normal ni coloques el dispositivo sobre un terreno inestable. Hay que mantener una buena postura y equilibrio.
4. Debes mantener tu concentración y centrarte en la tarea que tienes entre manos.
5. No dejes el aparato conectado a la fuente de alimentación sin vigilancia. Cuando el dispositivo no esté en uso, apágalo y realiza el procedimiento de descompresión.
6. No uses el equipo cuando estés cansado o bajo los efectos de drogas o alcohol.
7. No dobles ni dobles demasiado la manguera.
8. No espongas el cable a temperaturas o voltajes superiores a los valores recomendados por WABROTECH.

9. No uses el cable para mover o levantar equipos.

EQUIPO DE PROTECCIÓN INDIVIDUAL



Lleva el equipo de protección adecuado durante el área de trabajo para ayudar a prevenir lesiones graves, incluyendo lesiones oculares, pérdida de audición, los efectos de inhalar vapores tóxicos y quemaduras.



Estas medidas incluyen, pero no se limitan a: gafas de seguridad, equipos respiratorios, ropa protectora y guantes, de acuerdo con las recomendaciones del fabricante de líquidos y disolventes.



Cuando uses herramientas eléctricas, debes estar alerta, tener cuidado con lo que haces y usar el sentido común. No uses herramientas eléctricas cuando estés cansado o bajo los efectos de drogas, alcohol o drogas. Un momento de desatención al operar una herramienta eléctrica puede provocar lesiones graves.

1. Utiliza equipos de seguridad. Lleva siempre gafas de seguridad. Las medidas de protección como mascarilla antipolvo, zapatos antideslizantes, casco o orejeras, si se usan correctamente, limitarán las lesiones personales.
2. Evita inclusiones accidentales. Antes de enchufar el aparato, asegúrate de que el interruptor esté en posición OFF. Poner el dedo en el interruptor al transportar o conectar aparatos con el interruptor en posición ENCENDIDO aumenta el riesgo de accidentes.
3. Quita la tecla de ajuste antes de encender el aparato. Una llave inglesa unida a una parte giratoria de la herramienta puede causar lesiones personales.
4. No te inclines demasiado hacia fuera. Adopta una postura estable durante la operación. Esto garantiza un mejor control de la herramienta eléctrica en caso de imprevistos.
5. Lleva ropa adecuada. No lledes ropa holgada ni joyas. Mantén el pelo, la ropa y los guantes alejados de las partes móviles. La ropa holgada, las joyas o el pelo largo pueden enredarse y enredarse en partes móviles.
6. Si se han proporcionado herramientas para la extracción y recogida del polvo, asegúrate de que estén enchufadas y usadas correctamente. El uso de estos dispositivos puede reducir el riesgo asociado al polvo.

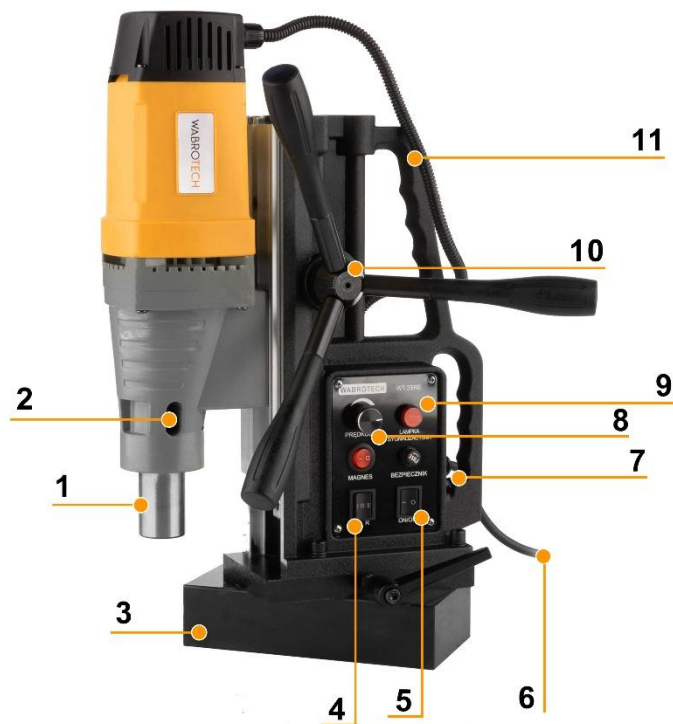
CONEXIÓN A LA ALIMENTACIÓN



El voltaje de red debe corresponder al indicado en la placa de clasificación del dispositivo. Bajo ninguna circunstancia debe usarse la herramienta si el cable de alimentación está dañado. Un cable dañado debe ser reemplazado inmediatamente por un Centro de Atención al Cliente autorizado. No intentes reparar el cable dañado tú mismo. El uso de cables de alimentación dañados puede provocar descargas eléctricas.

IMPORTANTE: Usa solo un alargador de tres hilos que tenga un enchufe de tierra con dos pasadores y un agujero, y un enchufe en el que puedas insertar el conector del electrodoméstico con dos agujeros y un vástago. Asegúrate de que el alargador esté en buen estado. Al usar un cable de extensión, debes asegurarte de que tenga suficientes parámetros para transportar la corriente que el dispositivo puede consumir. Un cable con muy pocos parámetros provocará una disminución del voltaje de la red, lo que provocará pérdida de corriente y sobrecalentamiento. Recomendamos usar un cable con una sección transversal de $3 \times 1,5$ mm. Si el alargador se va a usar en exteriores, debe estar marcado como W-A tras especificar el tipo de cable. Por ejemplo, la designación SJTW-A indicaría que el cable es adecuado para uso exterior.

2. CONSTRUCCIÓN WT23RE



1	Portaherramientas	Mandril cónico MT2 (mandril Weldon de 19mm, mandril roscado B18 M3-M16, mandril MT2 B18, mandril montado en mordaza MT2/3-16mm)
2	Punch	Un enchufe donde las manillas o taladros deben estar desmontados.
3	Pie magnético	Eficiencia total de la aleación magnética con un grosor de acero de 10 mm. Eficiencia mínima con un grosor de acero de 4 mm. El taladro magnético WT23RE tiene un pie magnético móvil.
4	Interruptor de modo de perforación	Posición 0 - Fuera del taladro magnético Posición del taladro - Posición de perforación REV - Rosca
5	Interruptor ON/OFF	Interruptor eléctrico de aleación magnética. ¡ADVERTENCIA! Al trabajar, primero debe activarse el pie magnético y la máquina debe ser adecuada.
6	Fusible	Mecha magnética de pie.
7	Enchufe de alimentación	Te indica cuándo está el pie magnético puesto.
8	Luz indicadora	En informe de la potencia de perforación
9	Controlador de velocidad	Usa el potenciómetro para ajustar la velocidad de la máquina.
10	Palanca de potencia	Se utiliza para ajustar la posición del pasador.
11	Empuñadura	Soporte para portar taladros magnéticos.

3. ESPECIFICACIONES

Modelo/potencia del motor	WT 23RE/1880 W
Voltaje/Frecuencia/Fusible	230V/50Hz/C20 (Consulta la placa con el nombre de la máquina)
Grado de protección	II
Nivel de ruido	60-90 dB
Rango de diámetros de perforación	Brocas MAX – 50 mm Brocas macizas MAX – 23 mm
Velocidad máxima de rotación	580 rpm
Fuerza magnética	13000N
Carrera máxima de trabajo	200 mm
Portaherramientas	Portabrocas para mordaza MT2/3-16mm (Weldon Chuck de 19mm, B18 M3-M16 roscado, MT2/3-16mm para mandilla, MT2/3-16mm para mandíbula se pueden montar)
Arranque suave	SÍ
Rotación inversa (función de roscadura)	SÍ M3-M16
Control de velocidad	SÍ
Temperatura ambiente requerida	0-40°C
Dimensiones del pie magnético	205 x 105 x 50 mm
Tamaño de la perforación	300 x 215 x 410 mm
Peso Neto/Bruto	19,5 / 30,5 kg

4. PROPÓSITO DEL TALADRO MAGNÉTICO

La **máquina de perforación magnética** es adecuada para perforar materiales ferromagnéticos (por ejemplo, acero), durante la instalación, construcción naval, fabricación de puentes, fabricación de grúas, ensamblaje, cerrajería, montaje de estructuras de acero, etc.

El dispositivo es adecuado tanto para perforación total como completa. El taladro tiene una función de taponamiento cuando se activa la marcha atrás. El dispositivo puede utilizarse en posiciones horizontal, vertical y por encima del techo. Se debe tener cuidado para asegurar que haya superficies y espesores suficientes (**mínimo 10 mm**) de material ferromagnético para transmitir la fuerza de retención magnética. La superficie de contacto de la pieza con el electroimán debe ser plana, pero no debe estar sin tratar. El óxido y la escama, así como la pintura y las capas de masilla, deben eliminarse de la superficie de la pieza. Al taladrar materiales de menos de 10 mm, debe colocarse una placa de acero de grosor adecuado bajo la pieza para que el electroimán pueda adherirse al sustrato con mayor fuerza. Nunca coloques taladros magnéticos sobre materiales aislantes (por ejemplo, madera, hormigón, etc.).

Ten en cuenta que la fuerza magnética desaparece cuando se interrumpe la corriente de red (cuando se va la corriente, cuando se desconecta el enchufe del enchufe), recomendamos que siempre sujetes el taladro con el cinturón de seguridad.

Los taladros magnéticos no pueden usarse en piezas durante soldadura por arco eléctrico. La corriente de soldadura podría causar daños en la máquina.

5. RESTRICCIONES DE USO

Las herramientas eléctricas, accesorios, utensilios, etc., deben utilizarse conforme a estas normativas y según lo previsto para este tipo especial de aparato. Deben considerarse las condiciones laborales y la actividad que se va a realizar. El uso de herramientas eléctricas para trabajos distintos a los previstos puede provocar situaciones peligrosas.

La máquina solo puede usarse con las brocas y mandrillas descritas en este manual.

Los cambios arbitrarios en la construcción mecánica y eléctrica, cualquier modificación o actividad de mantenimiento no descrita en el Manual de Operaciones se considerará ilegal y resultará en la pérdida inmediata de los Derechos de Garantía.

No sobrecargues el aparato. Utiliza una herramienta eléctrica proporcionada específicamente para este propósito. La herramienta adecuada facilita y hace que sea más seguro trabajar con el rango de aplicaciones especificado.

No uses una herramienta eléctrica cuyo interruptor de encendido/apagado esté dañado. Una herramienta eléctrica que no se puede encender o apagar es peligrosa y debe repararse. Recomendamos que contacte con el servicio de WABROTECH.

6. ENTRENANDO A LOS ATLETAS

Recuerda no superar la punta media recomendada según la placa nominal del dispositivo. Recuerda que trabajar con un diámetro de taladro que coincida con el diámetro máximo soportado por el dispositivo significa trabajar a la máxima carga posible; es aceptable, pero si necesitas trabajar de forma continua o hacer un gran número de agujeros, deberías elegir un taladro con un rango de funcionamiento más amplio.

7. TIPOS DE BROCAS

- **WT23RE** (Brocas cilíndricas metálicas HSS NWKc, brocas cilíndricas HSSCo, sierra lunar de carburo de tungsteno).



- **Broca WT23RE+WELDON** (brocas metálicas NWKc HSS, brocas cilíndricas HSSCo, sierra mol de carburo de tungsteno, brocas de rodillo, broca TCT para raíles, troncos de trepanetado HSS, troncos de trepanetado TCT).



- **WT23RE + mandril WELDON + mandril roscado** (taladros cilíndricos metálicos HSS NWKc, taladros cilíndricos HSSCo, sierra de cuerno de carburo de tungsteno, brocas para raíles, broca tubular TCT para raíles, troncos trepanadores HSS, cortadores trepanadores TCT, roces)



8. NUTRICIÓN

Antes de enchufar la máquina, asegúrate de que el voltaje de alimentación corresponda a la potencia nominal de la placa. La instalación de la fuente de alimentación de la máquina debe hacerse con cable de cobre con un área de sección transversal mínima de al menos 2,5 mm y debe pasar por un fusible C20. El sistema eléctrico debe estar equipado con un sistema de protección bien funcional y cumplir con los requisitos de las normas de seguridad en su uso.

Coloca el cable de alimentación para que no se dañe durante el uso. Si es necesario usar un alargador, se debe elegir su longitud para que el exceso no interfiera con el trabajo. El cable de extensión también debe estar equipado con un cable protector. No apagues el enchufe tirando del cable de alimentación.

En caso de un corte de energía y la máquina se detiene, es obligatorio soltar el botón del interruptor y desconectar el enchufe del enchufe. Una vez que hayas determinado las causas del corte de luz y resuelto el problema, puedes seguir trabajando. No dejes la máquina conectada sin vigilancia. En caso de interrupción o después de una interrupción, es esencial desconectar la máquina del enchufe eléctrico.

9. ENCIENDE LA MÁQUINA

El interruptor de perforación está situado en el cuerpo de la máquina.

Coloca la broca sobre el punto seleccionado. Antes de empezar a taladrar, comprueba que el taladro se adhiere lo suficientemente bien a la superficie. El taladro se realiza manualmente usando la palanca de alimentación. Para evitar sobrecargar el taladro magnético o el desgaste prematuro de la herramienta, aplica la presión adecuada sobre el taladro. Una vez completado el proceso de perforación, retira las astillas y/o el carro de perforación en caso de rotura. El enfriamiento y la lubricación durante el taladro deben adaptarse a la herramienta utilizada.

Ten en cuenta que la fuerza magnética desaparece cuando se interrumpe la corriente de red (cuando se interrumpe la corriente, cuando se desconecta el enchufe del enchufe). Si estás taladrando en una posición distinta a la vertical, usa el cinturón de seguridad incluido para asegurar el dispositivo.

En caso de corte de energía, es imprescindible que el operador de la máquina apague el dispositivo y retire el enchufe del enchufe. Una vez identificada y resuelta la causa del corte de energía, puedes volver a conectar el enchufe al enchufe y reanudar el funcionamiento.

No dejes la máquina conectada a la fuente de alimentación sin vigilancia. En caso de interrupción o tras una interrupción, es esencial desconectar la máquina de la red eléctrica retirando el enchufe del enchufe.

10. CEPILLOS DE CARBÓN

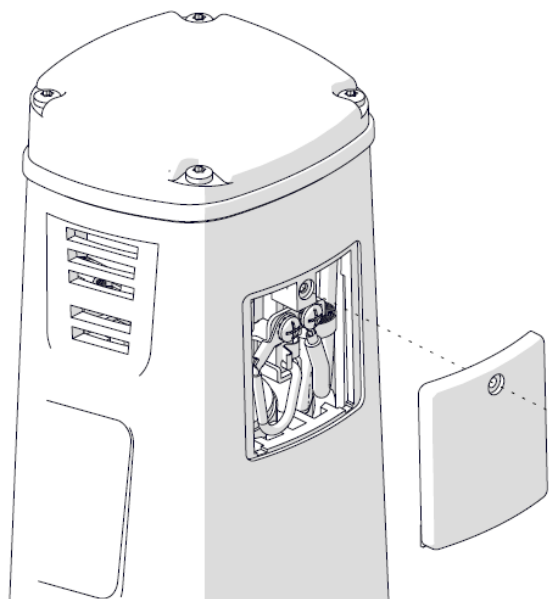
Las escobillas de carbón son una pieza de desgaste normal y deben ser reemplazadas cuando alcancen el límite de desgaste. La máquina está equipada con escobillas de carbón. Si la máquina se detiene de repente, revisa los cepillos.

Nota: Siempre cambia los pinceles en pares

Para reemplazar los cepillos:

- Simplemente quita las tapas de los pinchazos y quita los viejos.
- Cuando cambies los cepillos por otros nuevos (siempre los pongas en pares), asegúrate de que estén bien colocados.

ADVERTENCIA: Todas las reparaciones deben derivarse a un centro de servicio autorizado. Las reparaciones realizadas incorrectamente pueden resultar en lesiones o muerte. Recomendamos que contacte con el servicio de WABROTECH.



11. AUTORIZACIÓN EN GUÍAS

Cada 50 horas de funcionamiento, asegúrate de que los raíles estén correctamente ajustados. Para ello, mueve el motor arriba y abajo para asegurarte de que funciona sin problemas.

Para ajustar los raíles, hay que cubrirlos con una capa fina de grasa. Luego, usa una llave hexagonal para aflojar suavemente los tornillos. Coloca el motor de modo que el cursor esté en el centro de los raíles. Luego aprieta ligeramente los tornillos para que toquen la guía. Mueve el motor arriba y abajo y ajusta los tornillos para que el movimiento sea suave.



12. ACTIVIDADES DE CONTROL

Comprueba con el enchufe desconectado del enchufe.

Antes de iniciar el taladro magnético, comprueba el estado de la herramienta de trabajo. Cualquier defecto o grieta en el taladro pasa por alto la herramienta. Deben instalarse nuevas y sin defectos.

El dispositivo debe ser cuidado cuidadosamente. Es necesario comprobar que las partes móviles del aparato funcionen perfectamente y no estén obstruidas, que no estén agrietadas o dañadas, lo que pueda afectar al correcto funcionamiento del aparato. Haz que reparen las piezas dañadas antes de usar el electrodoméstico. Muchos accidentes se producen por un mal mantenimiento de las herramientas eléctricas.

Comprueba el estado de los cepillos electrographite. Si notas que son más cortos de 4 mm, cámbialos por nuevos. Ten en cuenta que los residuos de corte de materiales cerámicos son corrosivos. No dejes la máquina sucia al final del trabajo. Esto puede causar corrosión en los componentes individuales del taladro.

13. COMPATIBILIDAD

El taladro magnético es compatible con las siguientes herramientas:

- Mandril de perforación Weldon 19mm
- Portaroscas B18 M3-M16
- Portabrocas b16/3-16mm
- Depósito de refrigerante



Instrucciones de montaje del portaherramientas:

5. Deslízate el accesorio en la ranura de la herramienta. Presiona hacia abajo hasta que el mástil quede bien asentado en la ranura del instrumento. Tirando suavemente hacia abajo, asegúrate de que no haya cuerdas tocándolas.



6. Despeja la herramienta con la cuña incluida en el kit. Introduce la cuña en el orificio por encima de la ranura de la herramienta. Sujeta la herramienta con una mano y golpea suavemente la cuña con la otra con un martillo. La herramienta salta fuera de la ranura y se desliza hacia abajo. Puedes cambiar con éxito a instalar otra herramienta.



Instrucciones para la instalación del depósito de refrigerante.

- En el lado derecho o izquierdo del cuerpo del taladro, dependiendo del modelo, hay un lugar para montar un tanque de refrigeración. El depósito está equipado con una tubería, una tuerca, un mango de chapa metálica y un tornillo de corte transversal. Atornilla el mango de estaño directamente al tanque con la ayuda de un tornillo. Conecta la manguera al depósito usando el conector. Luego coloca la botella de leche con el depósito en los dos tornillos laterales del cuerpo del taladro y usa un destornillador para apretar los tornillos.



13. SOLUCIÓN

Problema	Causa	Solución
El taladro no funciona	El cable de alimentación está mal conectado o dañado	Empuja el enchufe más dentro del enchufe
		Revisa el cable de alimentación
	No hay tensión de red en el enchufe	Comprueba el voltaje en el enchufe o si el fusible se ha disparado.
	Escobillas de motor desgastadas	Sustituye los cepillos por otros nuevos
	Interruptor roto	Cambia el interruptor por uno nuevo
	Interruptor automático de corriente residual PRCD defectuoso	Sustituye el interruptor eléctrico de corriente residual
	Vibración	Comprueba el estado de la broca o el pasador.

A KÉZIKÖNYVBEN HASZNÁLT PIKTOGRAMOK DEFINÍCIÓI:



OLVASD EL A KÉZIKÖNYVET



FIGYELEM! FÖLDELÉS
HASZNÁLATA



Mozgó alkatrészek
figyelmeztetése



HASZNÁLJ PORMASZKOT



Kövess a szövegben ezzel a
szimbólummal jelölt
utasításokat!



Külön tárolni, és a
környezetvédelmi előírásoknak
megfelelően elhelyezni



HASZNÁLJ SZEMVÉDŐT



Elektromos sokk figyelmeztetés



Robbanásveszély
figyelmeztetés

1. BIZTONSÁGI TIPPEK



Általános biztonsági utasítások a szerszámokhoz

Olvasd el az összes tippet és receptet. Az alábbi utasítások elmulasztása elektromos sokkhoz, tűzhöz és/vagy súlyos személyi sérüléshez vezethet. Minden előírást és biztonsági utasítást gondosan tartsd be további hivatkozás céljából. Az alábbi szövegben a "power tool" kifejezés olyan elektromos eszközökre utal, amelyeket hálózati árammal működtetnek (tápkábellel), valamint akkumulátorral működő (áramkábel nélkül) működő szerszámokra.

1. Munkahelyi biztonság

- A munkaállomást tisztán és jól meg kell világítani. A munkahelyi rendetlenség vagy egy kivilágítás nélküli munkatér baleseteket okozhat.
- Ne használd ezt az elektromos eszközt potenciálisan robbanásveszélyes légkörben, például gyúlékony folyadékokban, gázokban vagy porokban. A szerszám működtetése közben szikrák keletkeznek, amelyek gyújtáshoz vezethetnek.
- A készülék használatakor ügyelni kell arra, hogy a gyerekek és más járókelők biztonságos távolságban legyenek. A figyelemelterelés elveszítheti az eszköz irányítását.

2. Elektromos biztonság

- Az elektromos szerszám csatlakozójának be kell férnie a konnektorba. Ne módosítsd a dugót semmilyen módon. Ne használj adapter csatlakozókat elektromos szerszámokhoz, amelyek védő földeléssel rendelkeznek. A változtatatlan dugók és a hozzáillesztő aljzatok csökkentik az elektromos sokk kockázatát.
- Kerüld a földelt felületekkel való érintkezést, például: csövek, radiátorok, tűzhelyek és hűtőszekrények. Az elektromos áramütés kockázata nagyobb, ha a felhasználó teste földelve van.
- A készüléket meg kell védeni az esőtől és a nedvességtől. A víz bejutása a szerszámba növeli az elektromos sokk kockázatát.
- Soha ne használd a zsinórt más tevékenységekhez. Soha ne vigye a szerszámot a kábelnél, és ne akasztod fel a kábelt. Ne húzd ki a csatlakozót a konnektorból a kábel meghúzásával. A kábelt védeni kell a magas hőmérséklettől, kerülni az olajat, éles éleket vagy a készülék mozgó részeit. A sérült vagy összegabalyodott vezetékek növelik az elektromos sokk kockázatát.

- E. A szabadtéri használatkor használj egy hosszabbító kábelt, amely kültérre is alkalmas. A megfelelő hosszabbítókábel használata (kültéri használatra alkalmas) csökkenti az elektromos áramütés kockázatát.
- F. Ha az elektromos szerszámot nem lehet párás környezetben használni, használj maradék árammegszakítót. A maradék áramú megszakító használata csökkenti az elektromos sokk kockázatát.

3. Személyes biztonság

- A. Elektromos szerszámmal való munka során légy óvatos, és minden mozdulatot óvatosan, óvatosan végezz. Ne használd az elektromos eszközt, amikor fáradt vagy drogok, alkohol vagy gyógyszerek hatása alatt vagy. Egy pillanatnyi figyelmetlenség elektromos szerszám használata súlyos személyi sérülést okozhat.
- B. Mindig viseljen személyvédő felszerelést és védőszemüveget. Személyvédőfelszerelés – por-maszk, csúsztatható lábbeli, védősisak vagy hallásvédő (a szerszám típusától és használatától függően) – viselése csökkenti a személyi sérülés kockázatát.
- C. Kerüld a szerszám véletlen indítását. Mielőtt a dugót a konnektorba dugnád és/vagy csatlakoztatnád az akkumulátorhoz, illetve mielőtt felveszed vagy mozgatnád az elektromos szerszámot, győződj meg róla, hogy a szerszám ki van kapcsolva. Ha az ujjad a kapcsolón tartod, amikor a szerszámot hordozod vagy a tápegységhez kötöd, balesetet okozhat.
- D. Mielőtt bekapcsolnád a szerszámot, vedd le a rögzítő szerszámokat vagy a villáskulcsokat. Egy szerszám vagy kulcskulcs a készülék mozgó részeiben személyi sérülést okozhat.
- E. A természetellenes testtartásokat kerülni kell munka közben. Gondoskodnod kell egy stabil munkapozícióról és egyensúlyt kell fenntartani. Így jobb lesz a szerszám irányítása váratlan helyzetekben.
- F. Megfelelő ruházatot kell viselni. Ne viselj laza ruhát vagy ékszert. Tartsd távol a haját, ruhát és kesztyűt a szerszám mozgó részeitől. Laza ruházat, ékszerek vagy hosszú haj mozgó alkatrészek által behúzódhatnak, ami balesethez vezethet.
- G. Ha lehetséges poreltávolító és legyűjtő eszközök telepítése, győződj meg róla, hogy megfelelően vannak csatlakoztatva és használva. A kivonóeszköz használata csökkentheti a por-belelegzésének kockázatát.

4. A szerszámok megfelelő működése és működése

- A. Ne terheld túl a készüléket. Használj erre a célra tervezett elektromos szerszámokat. A megfelelő elektromos szerszámmal jobb és biztonságosabb munkát végezhetsz egy adott teljesítménytartományban.
- B. Ne használj olyan elektromos szerszámot, amelynek be/ki kapcsolója sérült. Egy olyan elektromos eszköz, amelyet nem lehet be- vagy kikapcsolni, veszélyes, és javítani kell.
- C. A készülék beállítása, a kiegészítők cseréje vagy az eszköz leállítása előtt vegye ki a konnektort és/vagy vegye ki az akkumulátort. Ez az óvintézkedés megakadályozza, hogy a szerszám véletlenül bekapcsoljon.
- D. Ha nem használod, tartsd az elektromos szerszámokat a gyerekek hatótávolsága elől. Ne ossza meg az eszközt olyanokkal, akik nem ismerik vagy nem olvasták el ezeket a rendelkezéseket. A tapasztalatlan emberek által használt elektromos szerszámok veszélyesek.
- E. A szerszám megfelelő karbantartása szükséges. Ellenőrizd, hogy a szerszám mozgó részei hibátlanul működnek, nincsenek elzárva, hogy az alkatrészek nem törtek vagy sérültek meg olyan módon, ami befolyásolná a szerszám megfelelő működését. A készülék használata előtt javíttatnád meg a sérült alkatrészeket. Sok balesetet az elektromos szerszámok helytelen karbantartása okozza.

- F. Használj elektromos szerszámokat, kiegészítőket, segédeszközöket stb. ezeknek az utasításoknak és a célzott felhasználásnak megfelelően. Figyelembe kell venni a körülményeket és a végzett munka típusát. A szerszám helytelen használata veszélyes helyzetekhez vezethet.

5. Szolgálat

- A. A szerszámot csak képzett szakemberrel javítatják meg, eredeti alkatrészekkel. Ez biztosítja, hogy az eszköz biztonsága megőriz. Javasoljuk a javítást egy hivatalos WABROTECH szolgáltatásnál.

TŰZ- ÉS ROBBANÁSVESZÉLY



A munkaterületen lévő oldószerekből és festékekből származó gyúlkony füstök gyulladhatnak vagy felrobbanhatnak. A tűz vagy robbanás megelőzése érdekében a következőket kell tenned:

1. Kerüld a gyúlékony és gyúlékony anyagok közelében való munkát, nyílt láng vagy gyújtóforrások, például cigaretták, külső motorok vagy egyéb elektromos készülékek közelében.
2. A statikus elektromosság tűz vagy robbanás veszélyét jelentheti festék vagy oldószer gőz jelenlétében.
3. Ellenőrizze, hogy minden tartály és gyújtó rendszer földelve van-e, hogy elkerülje a statikus kisülést. Ne használj vödör béléseket, hacsak nem rendelkeznek antistatikus vagy vezetőképeséssel.
4. Tartsd fenn a megfelelő friss levegőáramlást ebben a térben.
5. Ne szívjon cigit a munkahelyen.
6. Ne használj világításkapcsolókat, motorokat vagy hasonló szikratermelő termékeket a munkaterületen.
7. Tartsd tisztán a területet. Nem tartalmazhat gyúlékony anyagokat.
8. Tekintse meg az összes biztonsági adatlapot (MSDS) és matricát a konténereknél.
9. A helyszínen működőképes tűzoltó felszerelésnek kell lennie.
10. Az eszköz szikrákat generál. Ha gyúlékony folyadékot használnak a készülékben vagy annak közelében, tartsd legalább 6 méterre távol a robbanó gőzöktől.

ELEKTROMOS BIZTONSÁG



1. Az elektromos szerszám csatlakozóknak konnektorba kell illeszkedniük. Tilos bármilyen módon módosítani a plugint.



. Ne kössenek semmilyen adaptert (adaptert) földelt elektromos szerszámokhoz. A módosíthatlan dugók és hozzáillesztő aljzatok használata csökkenti az elektromos sokk valószínűségét.

2. A földelt szerszámokat megfelelően kell csatlakoztatni egy telepített és földelt konnektorhoz, minden szabvány és előírás szerint. Tilos a földelő csatlakozó eltávolítása vagy módosítása bármilyen módon. Ne használj semmilyen csatlakozó adaptert. Ha bizonytalan vagy abban, hogy a konnektor megfelelően földelve van-e, forduljon hozzáértő villanyszerelőhöz. Ha a szerszámok meghibásodnak vagy meghibásodnak, ez a földelés alacsony ellenállású módot biztosít az áram elengedésére a felhasználóból.
3. Kerüld a testérintkezést földelt felületekkel, például csövekkel, fűtőtestekkel, hűtőkvel. Ha a

felhasználó teste földelve van, az elektromos sokk valószínűsége nő.

4. Ne tegyék ki az elektromos szerszámokat az esőnek vagy a nedvességnek. A víz bejutása a szerszámba növeli az elektromos sokk kockázatát.
5. Használd a kábeleket a szándék szerint. Soha ne használj vezetékeket a villanszerszám hordozásához, húzásához vagy kihúzásához a konnektorból. Tartsd távol a kábelt a hőtől, olajtól, éles élektől és mozgó részekről. Azonnal cseréld ki a sérült vezetékeket. A sérült vagy összegabalyodott kábelek növelik az elektromos sokk kockázatát.
6. A szabadtéri használatkor használd a szabadtéri távcsöveket, amelyek alkalmasak kültéri használatra. A kültéri felhasználásra adaptált kábelek használata csökkenti az elektromos sokk valószínűségét

A HALADÓ ALKATRÉSZEK VESZÉLYE



A mozgó részek összenyomhatják, vágthatják vagy elvághatják az ujjaidat és a tested más részeit.



1. Kerüld a mozgó alkatrészeket.
2. Ne használd a berendezést védőfedél és fedél nélkül.
3. Az élő felszerelés figyelmeztetés nélkül elindulhat. Válassza le az összes áramforrást, mielőtt átvizsgálná, mozgatná vagy szervizelné a berendezést.



AZ ESZKÖZ HELYTELEN HASZNÁLATÁNAK VESZÉLYE

A felszerelés helytelen használata halálhoz vagy fogyatékosághoz vezethet.

1. Munka közben mindig viseljen megfelelő szempajzsot és légzőkészüléket vagy maszkot.
2. Ne indítsd el a készüléket, és ne végezz munkát gyerekek közelében. Gyermeknek támogatása távol az eszköztől.
3. Ne lépje túl a normál hatótávolságot, és ne helyezze az eszközt instabil talajra. A jó testtartást és az egyensúlyt meg kell őrizni.
4. Meg kell tartanod a koncentrációt és a feladatra koncentrálnod.
5. Ne hagyd felügyelet nélkül a készüléket a tápegységhez. Ha az eszköz nincs használatban, kapcsold ki, és hajtsd végre a dekompreszió eljárást.
6. Ne használd a berendezést fáradtságban, drogok vagy alkohol hatása alatt.
7. Ne hajlítsd vagy hajlítsd túl a tömlőt.
8. Ne tegye ki a kábelt olyan hőmérsékletnek vagy feszültségnek, amely meghaladja a WABRO-TECH által ajánlott értékeket.
9. Ne használd a zsinórt felszerelés mozgatására vagy emelésére.

SZEMÉLYVÉDŐFELSZERELÉS



A munkaterületen megfelelő védőfelszerelést viseljen, hogy megelőzze a súlyos sérüléseket, beleértve a szemsérüléseket, hallásvesztést, mérgező gőz belélegzésének hatásait és az égési sérüléseket.



Ezek az intézkedések magukban foglalják, de nem kizárólagosan: védőszemüveg, légzőkészülék, védőruházat és kesztyűk a folyékony és oldószergyártó ajánlásainak megfelelően.



A szerszámok használatakor ébernek kell lenni, vigyázni arra, amit csinálsz, és használj józan ésszt. Ne használjon elektromos szerszámokat, ha fáradt vagy drog, alkohol vagy gyógyszer hatása alatt áll. Egy pillanatnyi figyelemelterelés, miközben elektromos szerszámot használ, súlyos sérülést okozhat.

1. Használj biztonsági felszerelést. Mindig viselj védőszemüveget. Olyan védelmi intézkedések, mint például a pormaszok, csúszásmentes cipő, sisak vagy fülvédők, ha megfelelően használják, csökkentik a személyi sérüléseket.
2. Kerüld a véletlen bevonást. A készülék csatlakoztatása előtt győződj meg róla, hogy a kapcsoló KI állapotban van. Ha az ujjad a megszakítóra kerül, amikor készüléket hordozol vagy bedugod bekapcsolva, a kapcsoló bekapcsolt helyzetben, növeli a balesetek kockázatát.
3. A készülék bekapcsolása előtt vedd le a beállító kulcsot. Egy csavarkulcs, amely a szerszám forgó részéhez rögzítve, személyi sérülést okozhat.
4. Ne hajol túlzottan. Vegyél stabil pozíciót a műtét során. Ez biztosítja a szerszám jobb irányítását váratlan helyzetek esetén.
5. Viselj megfelelő ruhát. Ne viselj laza ruhákat vagy ékszereket. Tartsd távol a haját, ruhákat és kesztyűt a mozgó részekről. Laza ruhák, ékszerek vagy hosszú haj beakadhatnak és beszorulhatnak a mozgó részekbe.
6. Ha már biztosítottak poreltávolító és letakarító eszközöket, győződj meg róla, hogy megfelelően csatlakoztatva és használják a készülékeket. Ezeknek az eszközöknek a használata csökkentheti a por kockázatát.

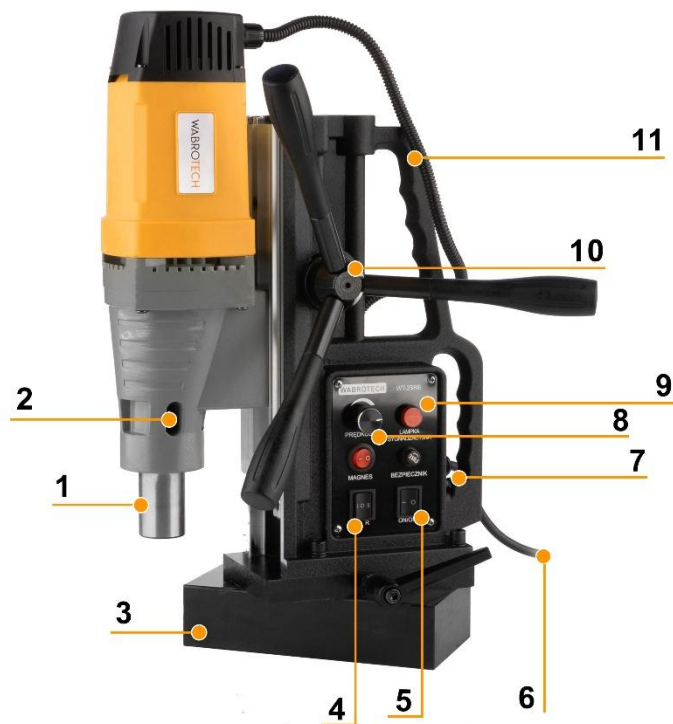
CSATLAKOZÁS AZ ÁRAMELLÁTÁSHOZ



A hálózati feszültségnek meg kell felelnie az eszköz fénytábláján jelölt feszültségnek. Semmilyen körülmények között nem szabad az eszközt használni, ha a tápkábel megsérült. A sérült kábelt azonnal egy hivatalos ügyfélszolgálati központnak kell cserélnie. Ne próbálja meg egyedül megjavítani a sérült kábelt. A sérült tápkábelek használata elektromos sokkhoz vezethet.

FONTOS: Csak háromvezetékes hosszabbítót használj, amelyhez földelő dugó két tűvel, lyukkal, valamint egy konnectorral rendelkezik, amibe tudod dugót bedugni két lyukas és szárnyal. Győződj meg róla, hogy a hosszabbító jó állapotban van. Hosszabbító kábel használatakor ügyelj arra, hogy elegendő paraméterekkel rendelkezik ahhoz, hogy az eszköz képes áramot leadni. Egy túl rossz paraméterű kábel a hálózati feszültség csökkenését okozza, ami áramvesztést és túlmelegedést eredményez. Ajánlott olyan kábelt használni, amelynek keresztmetszete $3 \times 1,5$ mm. Ha a hosszabbítót kültéren szeretnéd használni, akkor a kábel típusának megadása után W-A jelöléssel kell rendelkeznie. Például az SJTW-A jelölés azt jelzi, hogy a kábel alkalmas kültéri használatra.

2. A WT23RE ÉPÍTÉSE



1	Szerszámtartó	MT2 kúpos orsó (19mm weldon csuk, B18 M3-M16 menetes csap, MT2 B18 mandrel, MT2/3-16mm állkapcs felszerelve)
2	Punch	Egy foglalat, amelybe a fogantyúkat vagy fúrókat ki kell ütni.
3	Mágneses láb	A mágneses ötvözet teljes hatékonysága 10 mm acélvastagsággal. Minimális hatékonyság 4 mm acélvastagsággal. A WT23RE mágneses fúrógép mozgatható mágneses lábbal rendelkezik.
4	Fúrómód kapcsoló	0 pozíció – Mágneses fúró OffDrill pozíció – Fúrás REV pozíció – Menet
5	BE/OFF kapcsoló	Mágneses ötvözetű elektromos kapcsoló. FIGYELEM! Munkavégzés közben először a mágneses lábat kell bekapcsolni, és a gépnek megfelelő kell lennie.
6	Biztosíték	Mágneses lábbiztosíték.
7	Tápcsatlakozó	Megmutatja, mikor kapcsolja be a mágneses láb.
8	Jelzőlámpa	A fúró tápellátásáról tájékoztat
9	Sebességszabályzó	Használd a potenciométert a gép sebességének állítására.
10	Tápláló kar	A tengely helyzetének beállítására használják.
11	Cím	Támogatja a mágneses fúró szállítását.

3. MŰSZAKI ADATOK

Motor modell/teljesítmény	WT 23RE/1880 W
Feszültség/frekvencia/biztosíték	230V/50Hz/C20 (Nézd meg a gépnévtáblát)
Védelem fokozata	II
Zajszint	60-90 dB
Fúrési átmérőtartomány	MAX csőfúrószárok – 50 mm MAX szilárd fúrószárok – 23 mm
Maximális forgássebesség	580 fordulat/perc
Mágneses erő	13000N
Maximális munkamenet	200 mm
Szerszámtartó	MT2/3-16mm állkapcs (19mm weldon csuk, B18 m3-m16 menetes csap, MT2 B18 mandrel, MT2/3-16mm állkapcs szerelhető)
Puha indítás	IGEN
Fordított forgatás (szálakozási függvény)	IGEN M3-M16
Sebességszabályozás	IGEN
Szükséges környezeti hőmérséklet	0-40 °C
Mágneses lábméretek	205 x 105 x 50 mm
Fúróméretek	300 x 215 x 410 mm
Nettó/bruttó tömeg	19,5 / 30,5 kg

4. A MÁGNESES FÚRÓ CÉLJA

A mágneses fúrógép alkalmas ferromágneses anyagok (pl. acél) fúrására, telepítés, hajóépítés, híd-, daru gyártás, összeszerelés, lakatos, acélszerkezetek összeszerelése stb. során.

Az eszköz alkalmas mind mag, mind teljes fúrásra. A fúrógépnek csapolási funkciója van, amikor visszafordítva van bekapcsolva. Az eszköz vízszintes, függőleges és felüli helyzetben is használható. Ügyelni kell arra, hogy elegendő felület és vastagság (**minimum 10 mm**) ferromágneses anyag legyen rendelkezésre a mágneses tartó erő továbbításához. A munkadarab érintkezési felületének az elektromágnessel laposnak kell lennie, de nem szabad kezeletlenül kezelni. A rozsdát és a pikkelét, valamint a lakkot és a rétegeket a munkadarab felületéről el kell távolítani. 10 mm alatti anyagokban fúrás esetén megfelelő vastagságú acéllemezt kell helyezni a munkadarab alá, hogy az elektromágnes nagyobb erővel tapadjon az aljzathoz. Soha ne helyez mágneses fúrókat szigetelő anyagokra (pl. fa, beton stb.).

Kérjük, vegye figyelembe, hogy a mágneses erő eltűnik, amikor a hálózati áram megszakad (amikor elmegey az áram, amikor a konnektort kihúzzák a konnektorból), javasoljuk, hogy mindig biztonsági övvel tartsd a fúrót.

Mágneses fúrókat nem használhatnak munkadarabokra elektromos ívhegesztés során. A hegesztő áram károkat okozhat a gépen.

5. HASZNÁLATI KORLÁTOZÁSOK

Az elektromos szerszámokat, kiegészítőket, szerszámokat stb. ezeknek a szabályozásoknak megfelelően kell használni, és az adott speciális készülék esetében előírt feltételek szerint. Figyelembe kell venni a munkakörülményeket és a végrehajtandó tevékenységet. A szerszámok más munkára való használata veszélyes helyzetekhez vezethet.

A gépet csak a kézikönyvben leírt fúrószárokkal és csukokkal lehet használni.

A mechanikai és elektromos szerkezetben történt önkényes változások, valamint a Használati Kézikönyvben nem leírt módosítások vagy karbantartási tevékenységek jogellenesnek minősülnek, és azonnali garanciajogok elvesztéséhez vezetnek.

Ne terheld túl a készüléket. Használj erre a célra biztosított elektromos szerszámot. A megfelelő eszköz megkönnyíti és biztonságosabbá teszi a meghatározott alkalmazások széles körével való együttműködést.

Ne használj olyan elektromos szerszámot, amelynek be/ki kapcsolója sérült. Egy olyan elektromos szerszám, amelyet nem lehet be- vagy kikapcsolni, veszélyes, és javítani kell. Javasoljuk, hogy vegye fel a kapcsolatot a WABROTECH szolgáltatással.

6. FÚRÓFEJEK

Ne felejtse el túllépni az eszköz besorolási táblája szerint ajánlott átlagos fúrószárokat. Kérjük, ne feledd, hogy a fúró átmérőjével dolgozni, amely megfelel az eszköz által támogatott maximális átmérőnek, a lehető legnagyobb terhelés mellett működik – ez elfogadható, de ha folyamatos munkavégzésre vagy sok fúrólukát kell készíteni, akkor nagyobb működési távolságú fúrót válassz.

7. A FÚRÓSZÁROK TÍPUSAI

- **WT23RE** (HSS fém hengeres fúrófejek NWKc, HSSCo hengeres fúrófejek, volfrám-karbid lyukfűrész).



- **WT23RE + WELDON csukka** (HSS fém fúróbics NWKc, HSSCo hengeres fúrófúró, volfrám-karbid lyukfűrész, síncsavaró fúrófúró, TCT csőfúró fúrós sínekhez, HSS trepiánátmérő, TCT trepanációs vágók).



- **WT23RE + WELDON csóka + csapoló tök** (HSS fém hengeres fúrószárok NWKc, HSSCo hengeres fúrószárok, volfrám-karbid lyukfűrész, síncsavaró fúrófúró, TCT cső alakú fúrófúró RAIL sínekhez, HSS trepanációs vágók, TCT trepanációs vágók, csapok)



8. TÁPEGYSÉG

A gép csatlakoztatása előtt győződj meg róla, hogy a tápfeszültség megfelel a lemez értékének. A gép tápegységének telepítését legalább 2,5 mm keresztmetszetű rézvezetékkel kell elvégezni, és C20 biztosítékon keresztül kell vezetni. Az áramellátás rendszerének jól működő védelmi rendszerrel kell rendelkeznie, és meg kell felelnie a használati biztonsági előírások követelményeinek.

Rendezze be az elektromos vezetékét úgy, hogy ne legyen sérült a működés során. Ha hosszabbító kábelt kell használni, annak hosszát kell kiválasztani, hogy a túlzás ne zavarja a munkát. A hosszabbító kábelt védőkábelrel is fel kell szerelni. Ne kapcsolj ki a csatlakozót úgy, hogy meghúzd a tápkábelt.

Áramszünet esetén és a gép leállása esetén kötelező kiengedni a kapcsológombot és kivenni a konnektort a konnektorból. Miután az áramszünet okait megállapították és a probléma megoldódott, folytathatja a munkát. Ne hagyj felügyelet nélkül a gépet. Működési szünet esetén vagy megszakítás esetén elengedhetetlen a gép kihúzása a tápegységből.

9. A GÉP BEKAPCSOLÁSA

A fúrókapcsoló a gép testén található.

Állítsd a fúróhegyet a kiválasztott fúrési pont fölé. Mielőtt elkezdenéd a fúrást, ellenőrizd, hogy a fúró elég szorosan tapad-e a felülethez. A fúróbeadást kézzel végzik a tápláló kar segítségével. A mágneses fúró túlterhelésének vagy a szerszám korai kopásának elkerülése érdekében megfelelő nyomást alkalmazunk a fúróra. A fúrési folyamat befejezése után távolítsd el a forgácsokat és/vagy a fúrómagot esetleges törésveszélyben. A fúrás közbeni hűtést és kenést a használt szerszámhoz kell igazítani.

Kérjük, vegye figyelembe, hogy a mágneses erő eltűnik, amikor a hálózati áram megszakad (amikor elszakad az áram, amikor a konnektort kihúzzák a konnektorból). Ha függőleges pozícióban fúrsz, használd a mellékelt biztonsági övet a készülék rögzítéséhez.

Áramszünet esetén elengedhetetlen, hogy a gépkezelő kikapcsolja az eszközt és vegye ki a konnektorból a konnektort. Miután kiderült és kijavította az áramszünet okát, visszadughatod a konnektort a konnektorba, és folytathatod a működést.

Ne hagyj felügyelet nélkül a gépet a hálózatba csatlakoztatva. Működési megszakítás esetén vagy működési szünet után elengedhetetlen a gép leválasztása a hálózatról, a konnektor eltávolításával a konnektorból.

10. SZÉNKEFÉK

A szénkefék normális kopási részek, és akkor cserélni kell, amikor eléri a kopási határt. A gép szénkefékkel van felszerelve. Ha a gép váratlanul leáll, ellenőrizd a keféket.

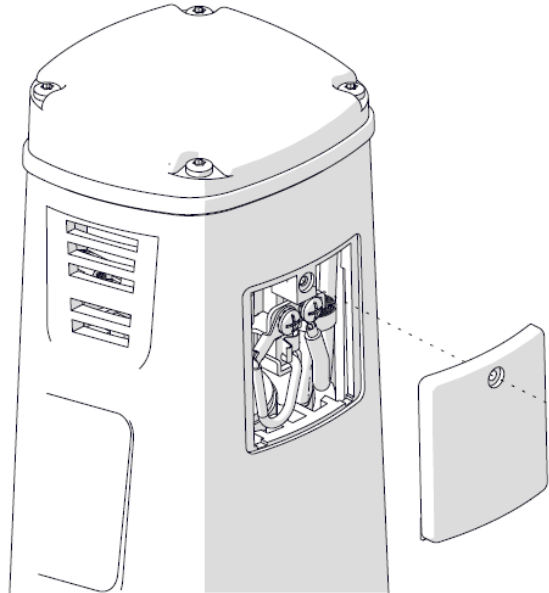
Megjegyzés: Mindig cseréld az ecseteket párokban

A kefék cseréje:

- Egyszerűen vedd le az ecsetkupakokat és a régi ecseteket.

- Amikor ecsetet cserélsz újakra (mindig párosként cseréld ki), győződj meg róla, hogy megfelelően vannak a helyük.

FIGYELEM: Minden javítást hivatalos szervizközponthoz kell irányítani. A helytelenül végzett javítások sérüléshez vagy halálhoz vezethetnek. Javasoljuk, hogy vegye fel a kapcsolatot a WABROTECH szolgáltatással.



11. AZ ÚTMUTATÓK ENGEDÉLYE

Minden 50 órás működés után győződj meg róla, hogy a vezetők megfelelően vannak beállítva. Ehhez mozgasd fel és le a motort, hogy simán mozogjon.

A vezetők beállításához vékony zsírréteggel kell bevonni őket. Ezután használj egybuszívű kulcsot, hogy óvatosan lazítsd meg a csavarokat. Helyezd el a motort úgy, hogy a csúszka a vezetők közepén legyen. Ezután húzd meg enyhén a csavarokat, hogy érintsék a vezetőt. Mozdasd fel és le a motort, és állítsd be a csavarokat, hogy a mozgás sima legyen.



12. IRÁNYÍTÁSI TEVÉKENYSÉGEK

Végezze el az ellenőrzést úgy, hogy a dugó ki van húzva a konnektorból.

A mágneses fúrás indítása előtt ellenőrizd a munkaeszköz állapotát. Bármilyen hiba vagy repedés a fúrógépen kizárja a szerszámot. Új, hibátlan megoldásokat kell telepíteni.

Az eszközt gondosan kell ápolni. Ellenőrizni kell, hogy a készülék mozgó részei hibátlanul működnek-e, nincsenek elzárva, hogy az alkatrészek nincsenek repedtek vagy sérültek, ami befolyásolhatja a készülék megfelelő működését. A készülék használata előtt javíttatni meg a sérült alkatrészeket. Sok balesetet az elektromos szerszámok helytelen karbantartása okozza.

Ellenőrizd az elektrografit kefék állapotát. Ha azt tapasztalod, hogy rövidebbek, mint 4 mm, cseréld ki őket újakra. Kérjük, vegye figyelembe, hogy a kerámia anyagok vágómaradványai korrozívak. Ne hagyj a gépet takarítatlanul a munka végén. Ez korrózióhoz vezethet a fúró egyes alkatrészeiben.

13. KOMPATIBILITÁS

A mágneses fúró az alábbi eszközökkel kompatibilis:

- Fúrócskás hegesztés 19mm
- Menettartó B18 M3-M16
- Fúrócsukó b16/3-16mm
- Hűtőfolyadék tartály



Szerszámtartó összeszerelési útmutató:

1. Csúsztasd a kiegészítőt a szerszám nyílásába. Nyomd le, amíg a nyél szilárdan nem áll a szerszámnyílásban. Óvatosan húzd le, győződj meg róla, hogy nincs laza állapot.



2. Lőd ki az eszközt a készletben lévő ékkel. Szúrd be a éket a szerszám nyílása fölötti lyukba. Fogd az eszközt az egyik kezzel, a másikkal pedig óvatosan üsd meg a éket kalapáccsal. Az eszköz kiugrik a nyílásból és lecsúszik. Sikeresen továbbléphetesz egy másik eszköz telepítésére.



Útmutató a hűtőközegetartály beszereléséhez.

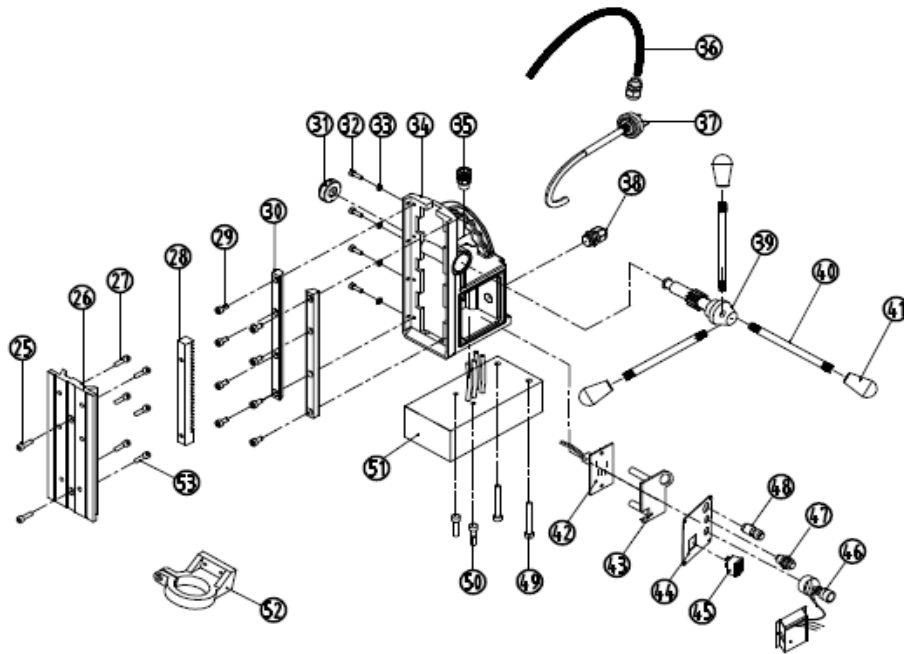
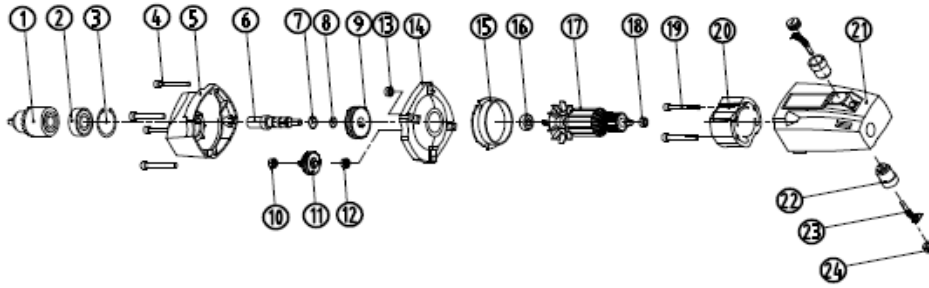
1. A fúrótest jobb vagy bal oldalán, a modelltől függően, van egy hely a hűtőfolyadék-tartály elhelyezésére. A tartály egy tömlővel, egy anyával, egy bádognyelűvel és egy keresztmetszett csavarral van felszerelve. Csavarja a bádognyelű kulcsot közvetlenül a tartályra egy csavarral. A tömlőt a csatlakozóval kösd a tartályhoz. Ezután helyezd a bádogtartót a tartállyal együtt a fúrótest oldalán lévő két csavarra, és csavarhúzóval húzd meg a csavarokat.



13. HIBAKERESÉS

Probléma	Ok	Megoldás
A fúró nem működik	A tápkábel rosszul van csatlakoztatva vagy sérült	Nyomd mélyebbre a konnektorba a dugót Ellenőrizd a tápkábelt
	Nincs hálózati feszültség a konnektorban	Ellenőrizd a feszültséget a konnektornál, vagy hogy a biztosíték kikapcsolt-e.
	Kopott motorkefék	Cseréld ki az ecseteket újakra
	Törött kapcsoló	Cseréld ki a kapcsolót egy újra
	Hibás PRCD maradék áramú megszakító	Cseréld ki a maradék árammegszakítót
	Rezgés	Ellenőrizd a fúrósár vagy a tengely állapotát.

DIAGRAM AND CE DECLARATION





DEKLARACJA ZGODNOŚCI WE EC Declaration of conformity

Numer deklaracji: 002/25

Number of declaration:

PRODUCENT:

Manufacturer:

WABRO Sp. z o.o.

Ul. Arki Bożka 2A, 41-910 Bytom, Polska

NIP 626 304 47 65

Deklarujemy na własną odpowiedzialność, że nasze maszyny:

We declare on our own responsibility that our machines:

NAZWA:

Name:

Magnetic drill / Wiertarka magnetyczna / Magnetbohrmaschine / Perceuse magnétique /
Magnetická vrtačka / Magnetická vrtačka / Trapano magnetico / Taladro magnético /
Mágneses fúrógép

MODEL:

Model:

WT23RE

081/JC23/25-180/JC23/25

NUMERY SERYJNE:

Serial numbers:

PRZEDMIOT DEKLARACJI:

Subject of the declaration:

Wiertarka magnetyczna

Magnetic drill

Wymieniony powyżej przedmiot niniejszej deklaracji zgodności UE jest zgodny z odpowiednimi wymaganiami unijnego prawodawstwa harmonizacyjnego:

The object of the declaration described above is in conformity with the relevant Community harmonisation legislation:

2006/42/EC

MD – Machinery Directive

2014/30/UE

EMC – Electromagnetic Compatibility

2014/35/UE

LVD – Low Voltage Directive

Odwołania do odnośnych norm zharmonizowanych, które zastosowano, wraz z datą normy, lub do innych specyfikacji technicznych, wraz z datą specyfikacji, w odniesieniu do których deklarowana jest zgodność:

References to the relevant harmonised standards used or references to the specifications in relation to which conformity is declared:

EMC*

EN IEC 61000-6-4:2019

EN IEC 61000-3-2:2019+A1:2021

EN 61000-3-3:2013+A2:2021

EN IEC 61000-6-2:2019

MD*

EN ISO 12100: 2010

LVD*

EN 60204- 1:2018

DOKUMENTACJA ZOSTAŁA SKOMPLETOWANA PRZEZ:

Documentation was completed by:

Mateusz Broszczak

Ul. Arki Bożka 2A, 41-910 Bytom, Polska

Niniejsza deklaracja zgodności wydana zostaje na wyłączną odpowiedzialność producenta.

This declaration of conformity is issued under the sole responsibility of the manufacturer

Dokumentacja techniczno-konstrukcyjna dla opisywanej maszyny została przygotowana zgodnie z Załącznikiem VII, Częścią A dyrektywy 2006/42/WE oraz jest przechowywana pod wskazanym powyżej adresem. Na żądanie organów państwowych producent zobowiązuje się przekazać rzeczoną dokumentację techniczną elektronicznymi kanałami komunikacji.

Maszyna obejmuje elementy mechaniczne, komponenty oraz urządzenia elektryczne wyprodukowane przez innych producentów, którzy są w posiadaniu dokumentacji technicznej dla wytworzonych elementów oraz wydali dla nich wymagane deklaracje zgodności lub włączenia

The technical and construction documentation for the described machine has been prepared in accordance with Annex VII, Part A directive 2006/42/EC and is kept at the address indicated above. At the request of state authorities, the manufacturer undertakes to provide the technical documentation in question via electronic communication channels.

The machine includes mechanical elements, components and electrical devices manufactured by other manufacturers who are in possession of technical documentation for the manufactured elements and have issued the required declarations of conformity or incorporation for them

Podpisano w imieniu:

Signed on behalf of

Miejsce, data Bytom, 12.03.2025

Place, date

Mateusz Broszczak

General Manager

Imię i nazwisko, stanowisko

i podpis osoby upoważnionej:

Name, surname, position and

signature of authorized person